

Date	Expiration	Release	Page
03.2015	03.2017	1	1(4)

Release 1: This document supersedes previous revisions.

NORGREN VALVE AIR LEAK Prevost vehicles

DESCRIPTION

On the vehicles affected by this bulletin, the entrance door may open inadvertently or not open at all when door open button is pressed.

MODEL YEAR(S) AND VEHICLES INVOLVED

NOTICE TO SERVICE CENTERS		
Verify vehicle eligibility by checking warranty bulletin status with SAP or via ONLINE WARRANTY SYSTEM available on Service / Warranty tab of Prevost website.		
Model	VIN	Road number
X3-45 Commuter Model Year : 2014 - 2015	2PCG33495E0 [REDACTED]; 2PCG33498E0 [REDACTED]	2490; 2491
	4RKG33495F9 [REDACTED]; 4RKG33499F9 [REDACTED]	2492; 2493
	4RKG33490F9 [REDACTED]; 4RKG33492F9 [REDACTED]	2494; 2495
	4RKG33494F9 [REDACTED]; 4RKG33496F9 [REDACTED]	2496; 2497
	4RKG33498F9 [REDACTED]; 4RKG3349XF9 [REDACTED]	2498; 2499
	4RKG33491F9 [REDACTED]; 4RKG33498F9 [REDACTED]	2500; 2501
	4RKG3349XF9 [REDACTED]; 4RKG33491F9 [REDACTED]	2502; 2503
	4RKG33493F9 [REDACTED]; 4RKG33495F9 [REDACTED]	2504; 2505
	4RKG33497F9 [REDACTED]; 4RKG33499F9 [REDACTED]	2506; 2507
	4RKG33490F9 [REDACTED]; 4RKG33492F9 [REDACTED]	2508; 2509
	4RKG33494F9 [REDACTED]; 4RKG33490F9 [REDACTED]	2510; 2511
	4RKG33492F9 [REDACTED]; 4RKG33494F9 [REDACTED]	2512; 2513
	4RKG33496F9 [REDACTED]; 4RKG33498F9 [REDACTED]	2514; 2515
This bulletin does not necessarily apply to all the above-mentioned vehicles, some vehicles may have been modified before delivery. The owners of the vehicles affected by this bulletin will be advised by a letter indicating the Vehicle Identification Number (VIN) of each vehicle concerned.		

MATERIAL NEEDED

Order the following parts:

Part No.	Description	Qty
642023	VALVE, 5 WAYS, 2 POSITIONS 24V / MODEL V19	1
642135	VALVE, 5 WAYS, 3 POSITIONS V60	1

NOTE

Material can be obtained through regular channels.

PROCEDURE**DANGER**

Park vehicle safely, apply parking brake, stop engine. In the battery box, set the battery cut-off switch to the OFF position prior to working on the vehicle.

- 1) Open the right hand access panel next to the entrance door. Locate the door valves. (Fig.1)
- 2) Inspect the production date code on valves 642023 & 642135 (Fig. 1).

(Date code is found in the lower right hand corner of the valve specifications label.) (Fig. 2)

The last two digits indicate year and must be 15 or more. (fig. 2)

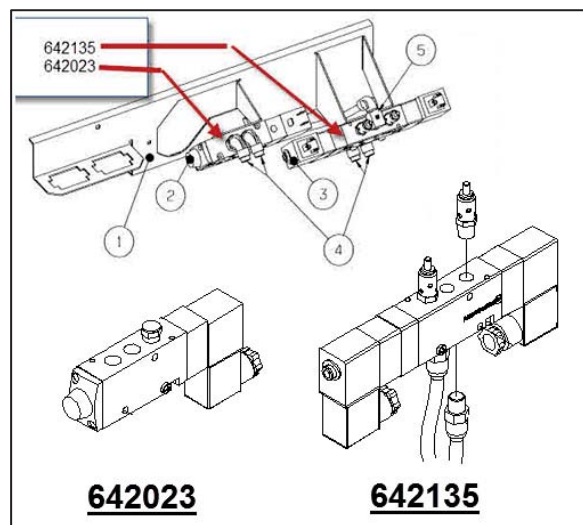


Figure 1



Figure 2: Date code example

- 3) If year is less than 2015, Valve must be replaced.
- 4) If year is 2015, inspect further to visually confirm a vertical stamp mark behind the valve (fig. 3)

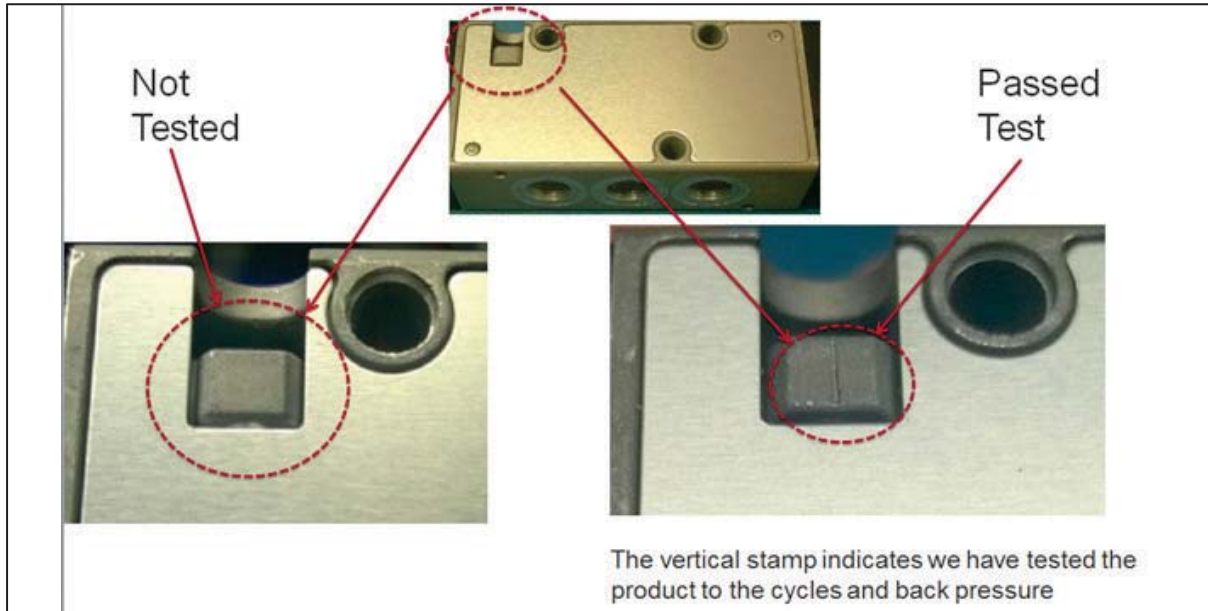


Figure 3

- 5) In short:

2015 + STAMP MARK: GOOD VALVE.
2014 OR 2015 WITHOUT STAMP MARK: REPLACE VALVE

- 6) Once replaced, check for leaks with soapy water.

PARTS / WASTE DISPOSAL

Return replaced parts to Prevost with A.F.A. for full reimbursement.
Discard waste according to applicable environmental regulations (Municipal/State[Prov.]/ Federal)

ESTIMATED TIME

The time required to perform this special bulletin is approximately one hour.

Date	Expiration	Release	Page
03.2015	03.2017	1	4(4)

OTHER

VBC Bulletin	N/A
Fail Code	18.01
Defect Code	09
System Condition	B
Causal Part	642135

Prevost engages in a continuous program of testing and evaluating to provide the best possible product. Prevost, however, is not committed to, or liable for updating existing products.