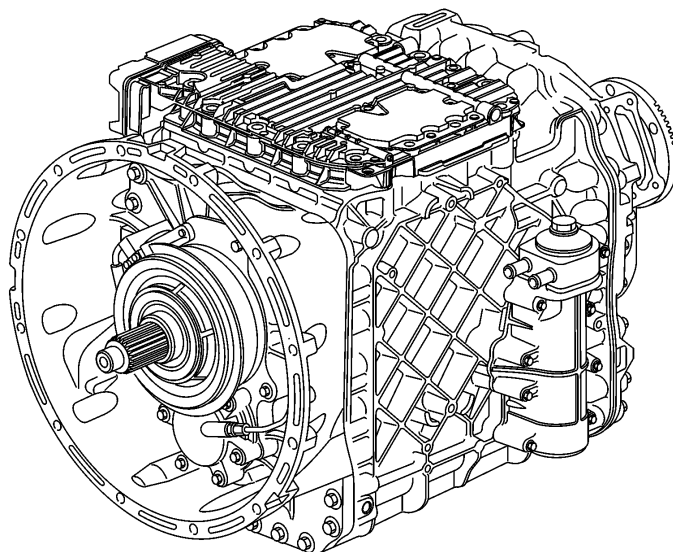


## Transmission ECU, Replacement VN

### SP 431-022, Transmission ECU, Replacement

(October 2015)

Some VOLVO vehicles equipped with I-Shift transmission version D built between 2/2/2015 and 3/19/2015 require a transmission ECU replacement. Approximately 83 vehicles are involved in this campaign. Before proceeding, verify campaign eligibility by checking Service Program status in eWarranty.



T4021207

### Required Parts

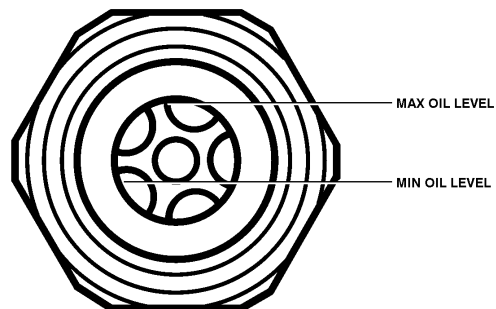
- I-Shift Control Housing (part number 21484418)
- Sealing Kit (part number 20785252), contains:
  - Solenoid Valve Seals (2)
  - Countershaft Brake O-Ring (1)
  - Upper Cover Gasket (1)

## Procedure

You must read and understand the precautions and guidelines in Service Information, Function Group 4, General Safety Practices, Transmission before performing this procedure. If you are not properly trained and certified in this procedure, ask your supervisor for training before you perform it.

### Special tool: 85108826

- 1 Secure the vehicle for service by parking it on a flat level surface, applying the parking brake, chocking the rear wheels, and placing the transmission in neutral or park.
- 2 Disconnect all cables from the negative (ground) battery terminals to prevent personal injury from electrical shock and prevent damage to electrical components
- 3 Drain the air system.
- 4 Replace the transmission ECU. Refer to Function Group 431.
- 5 Pressurize the air system and check for leaks.
- 6 Reconnect all previously removed cables to the negative (ground) battery terminals.
- 7 Check and fill the transmission with approved transmission oil.



T4021684

- 8 After the transmission is installed, it is necessary to configure the new TCM with its software using premium tech tool (PPT).
- 9 After the TCM has been flashed with its software, it is necessary to perform a "transmission and clutch, pulling position, calibration" using the scan tool.

**Reimbursement**

<b>This repair is covered by an authorized Service Program. Reimbursement is obtained via the normal claim handling process.</b>	<b>UCHP Reimbursement</b>	<b>eWarranty Reimbursement</b>
<b>Claim Type (used only when uploading from the Dealer Bus. Sys.)</b>	B	B
<b>Recall Status</b>		
Vehicle inspected, repair not required		1- Inspected OK
Vehicle repaired per instruction		2- Modified per instruction
<b>Labor Code</b>		
Primary Labor Code	4319-03-02-03 5.2 hrs	43191-0-01 5.2 hrs.
Time to take charge and determine campaign status	1700-16-01-01 0.3 hrs	17003-0-01 0.3 hrs
<b>Causal Part</b>	21484418	21484418
<b>Parts Disposition</b> All parts to be scraped locally		
<b>SCC Code</b>	S6939	NA
<b>Authorization Number</b>	NA	SP431-022
<b>Expiration Date</b>	31- October - 2016	31- October - 2016

**Note:** Take Charge Time is not included in the Labor Code for this operation. Take charge may be eligible but can only be used once per repair visit. If vehicle is having other warranty repairs performed, take charge should be charged to the warranty repair, otherwise take charge can be charged to this service program.