



NUMBER: 23-048-15

GROUP: Body

DATE: December 08, 2015

This bulletin is supplied as technical information only and is not an authorization for repair. No part of this publication may be reproduced, stored in a retrieval system, or transmitted, in any form or by any means, electronic, mechanical, photocopying, or otherwise, without written permission of FCA US LLC.

THIS SERVICE BULLETIN IS ALSO BEING RELEASED AS RAPID RESPONSE TRANSMITTAL (RRT) 15-118. ALL APPLICABLE SOLD AND UN-SOLD RRT VIN'S HAVE BEEN LOADED. TO VERIFY THAT THIS RRT SERVICE ACTION IS APPLICABLE TO THE VEHICLE, USE VIP OR PERFORM A VIN SEARCH IN TECHCONNECT. ALL REPAIRS ARE REIMBURSABLE WITHIN THE PROVISIONS OF WARRANTY.

SUBJECT:

Liftgate Rattle Noise

OVERVIEW:

This bulletin involves installing a missing bolt at the passenger side liftgate hinge.

MODELS:

2016 (MK49) Jeep Compass

NOTE: This bulletin applies to vehicles within the following markets/countries: NAFTA, APAC.

NOTE: This bulletin applies to MK49 vehicles built on or after September 21, 2015 (MDH 0921XX) and on or before September 23, 2015 (MDH 0923XX).

SYMPTOM/CONDITION:

Passenger liftgate hinge missing bolt securing the hinge.

DIAGNOSIS:

If the vehicle's VIN is listed in VIP or your RRT VIN list, perform the Repair Procedure.

PARTS REQUIRED:

| Qty. | Part No. | Description |
|--------|------------|---|
| 1 | 06104386AA | BOLT AND WASHER, Hex Head, M8X1.25X25.00 |
| 1 (AR) | 04342250AC | Black Clear Coat (Touch Up Paint) (PX8) paint code |
| 1 (AR) | 05163648AA | Deep Cherry Red Crystal Pearl Coat (Touch Up Paint) (PRP) paint code |
| 1 (AR) | 05163738AB | Billet Silver Metallic Clear Coat (Touch Up Paint) (PSC) paint code |
| 1 (AR) | 68183829AA | Granite Crystal Metallic Clear Coat (Touch Up Paint) (PAU) paint code |

NOTE: Each bottle of touch-up paint will service several vehicles (shop supply).

REPAIR PROCEDURE:

1. Open the liftgate.
2. Is there a missing bolt (1) at the passenger liftgate hinge? (Fig. 1)
 - a. YES>>> Proceed to [Step #3](#).
 - b. NO>>> This bulletin has been completed. Use LOP (23-40-20-9E) to close the active RRT.

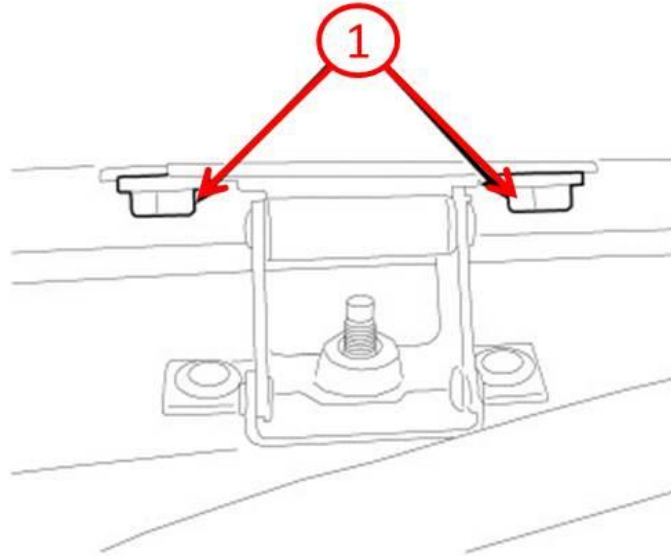


Fig. 1 Inspect for missing bolt at liftgate hinge

1 - Bolt location

3. Install the missing bolt (1) to the liftgate hinge. Tighten the bolt to 27 N·m (19 ft. lbs.).
4. Use touch up paint and paint the bolt head to match the body color of the vehicle.

POLICY:

Reimbursable within the provisions of the warranty.

TIME ALLOWANCE:

| Labor Operation No: | Description | Skill Category | Amount |
|---------------------|---|---------------------------------|----------|
| 23-40-20-9E | Missing Bolt At Liftgate Hinge (Visually Inspect) (0 - Introduction) | 6 - Electrical and Body Systems | 0.2 Hrs. |
| 23-40-20-9F | Missing Bolt At Liftgate Hinge (Install) (0 - Introduction) | 6 - Electrical and Body Systems | 0.2 Hrs. |

FAILURE CODE:

| | |
|----|----------------|
| ZZ | Service Action |
|----|----------------|