

PARTS BULLETIN

Subject: MARKER LAMP REPLACEMENT HARNESS

Models Affected: ALL MV-1 VEHICLES

BACKGROUND

A marker lamp replacement harness PN SP002155 is available for all MV-1 vehicles. The harness will fit both the front amber and rear red marker lamps.

Because of its location, this harness is prone to water intrusion and corrosion. When replacing this harness it is necessary to apply dielectric grease in both the bulb socket and the connector.

WARRANTY

The provisions of the normal warranty policy apply, with appropriate authorization.

INSTALLATION TIME

The recommended time to install the harness is 0.3 hour for one and 0.1 hour for each additional. Labor operation 12M290

PARTS

Order one harness PN SP002155 per lamp assembly.

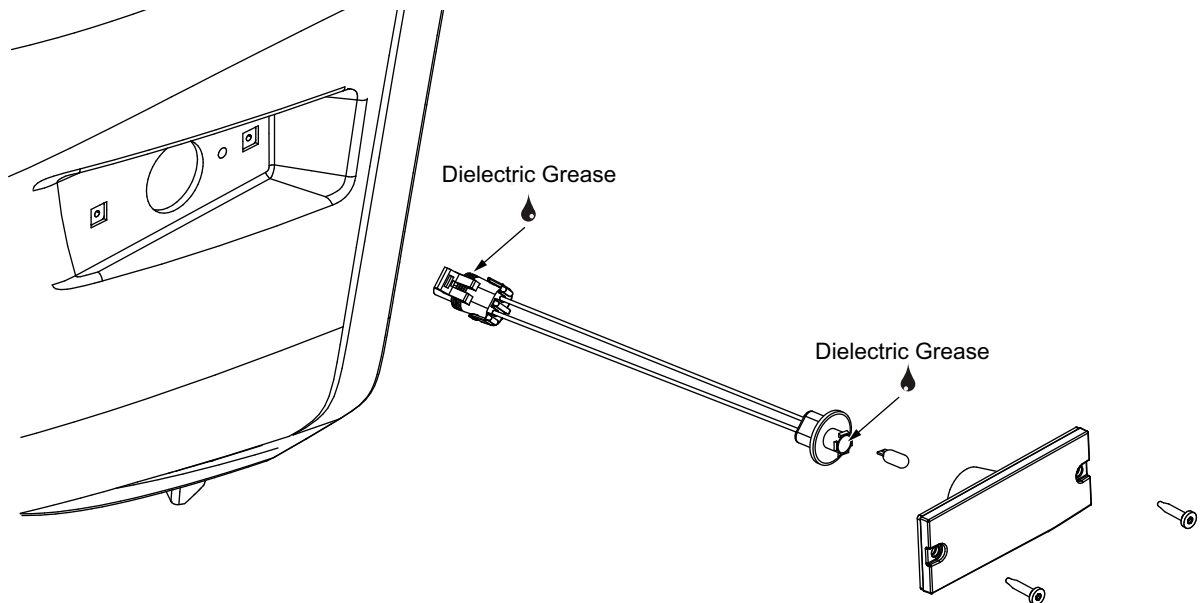


Figure 1: Marker Lamp Replacement Harness