



# SERVICE BULLETIN

SB1278

<b>ADDRESSEES</b>	: ABC Customer Care and Parts Source Owners and operators of coaches listed under 'Application'
<b>VEHICLE MODEL</b>	: TD925US with steered trailing axle
<b>MANUAL SECTION</b>	: Chapter 07.10: Trailing axle steering system
<b>BULLETIN TYPE</b>	: Field Change Program
<b>DATE</b>	: May 4th, 2015
<b>SUBJECT</b>	: <b>To replace pivot bearing of hydraulic steering cylinder and greasing recommendations</b>
<b>TERMS &amp; CONDITIONS</b>	: Refer to the warranty section further in this Bulletin.

## APPLICATION:

Model	VIN
TD925US with steered trailing axle	42630→42647 42691→42739 42765→42766

## DESCRIPTION:

- Van Hool is informed about seizing of the hydraulic cylinder pivot bearing of the trailing axle steering. To address this issue, the customers of the above mentioned vehicles must replace the pivot bearing of the hydraulic cylinder by a new one, remove the factory installed plug (refer to figure 1) and install a grease nipple for routine greasing.
- Starting with VIN42767 Van Hool has factory equipped the hydraulic cylinder with a grease nipple for routine greasing.
- The pivot bearing of the hydraulic cylinder should be lubricated every 12 500 miles.
- To address this issue, Van Hool is conducting a field change program, the terms and conditions of which are explained further on under "Warranty".



**Figure 1: Pivoting point of hydraulic cylinder fitted with a plug instead of a grease nipple**

*Continued on next page*

## MATERIAL:

### New parts

VH Reference	Description	Qty.
660525109	Grease nipple	1
10642434	Pivot bearing	1

## PREPARATIONS:


- Park the coach on a level surface with the front wheels straight.
- Apply the parking brake and shut down the engine.
- Switch off all systems and turn off the battery master switch.
- Put a "DO NOT OPERATE" tag on the steering wheel.



## **WARNING!**

Observe safe shop practices at all times.

## PROCEDURE TO REPLACE PIVOT BEARING

Step	Action
1	 <b>WARNING!</b> Even with the engine off, a dangerously high pressure remains in the hydraulic circuit due to the pressure accumulator. Therefore, you have to depressurize the circuit.  Depressurize the hydraulic circuit of the trailing axle steering system. For procedure, refer further on in this Service Bulletin under "Procedure to depressurize hydraulic circuit of trailing axle steering system".
2	Remove the bolt securing the hydraulic steering cylinder to the chassis. Adequately support the hydraulic steering cylinder and withdraw the cylinder from the chassis.
3	Remove the snap ring securing the pivot bearing in the bore of the hydraulic cylinder. Press the old pivot bearing out of the bore by using a puller and a suitable mandrel (to be fabricated locally).
4	Install the new pivot bearing in reversal of removal, making sure that the snap ring is properly engaged in the groove of the bore.
5	Remove the plug from the hydraulic steering cylinder and replace it by a grease nipple.
6	Reconnect the hydraulic steering cylinder to the chassis. Tighten the nut to a torque of $245 \pm 20$ ft.lbf ( $330 \pm 30$ Nm).
7	Using a grease gun, pump the recommended grease through the grease nipple of the hydraulic steering cylinder. The pivot bearing is sufficiently greased when fresh grease comes out. use
8	Refit pressure relief valve coil to valve block of trailing axle steering system.

*Continued on next page*

**STEP 1 IN DETAIL: PROCEDURE TO DEPRESSURIZE HYDRAULIC CIRCUIT OF TRAILING AXLE STEERING SYSTEM**

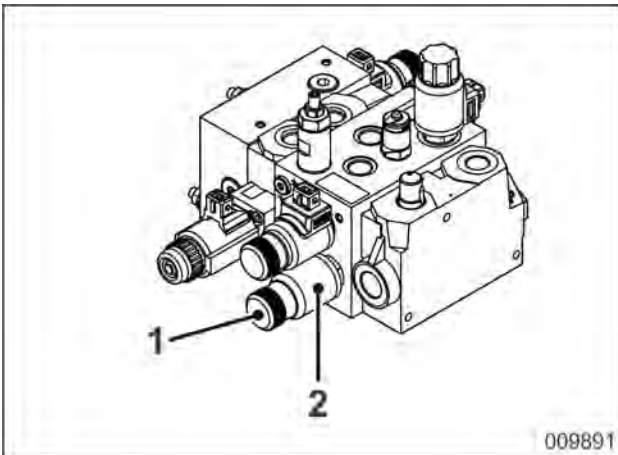


Figure 2: Valve block of trailing axle steering system (in step well of luggage compartment)

- 1 Pressure relief valve end cap
- 2 Pressure relief valve coil

Step	Action
1	Disconnect the pressure relief valve connector.
2	Unscrew pressure relief valve end cap (1).
3	<p><i>NOTE: Make sure not to lose the O-ring when removing the coil.</i></p> <p>Remove pressure relief valve coil (2).</p>
4	<p>Screw on end cap (1) until you feel a firm resistance.</p> <p>The pin at the end cap inside now opens the pressure relief valve.</p>
5	<p>Check on the pressure gauge whether the pressure has fallen down.</p> <div data-bbox="571 1061 1198 1518" data-label="Image"> </div>

*Continued on next page*

## **WARRANTY:**

### **1. Terms and conditions:**

Van Hool will accept warranty claims for this repair as follows:

#### **Parts:**

- Supply: parts will be supplied through regular channels, free of charge.

**Labor allowance:** 2 hours of labor will be awarded per coach repaired.

**Campaign expiration date:** Service Bulletin issue date + 1 year.

### **2. Claim references:**

- Causal part: 11303553
- Job code: D21209H

**Claim submission:** Contact ABC Customer Care Warranty Department for guidance.

**Monitoring and performance:** The claim records pertaining to this Bulletin will be used to determine that the remedy has been executed in accordance with the manufacturer's instructions and to evaluate the status of this Field Change Program.

## **INFORMATION HANDLING:**

Important supplements and modifications of technical information not yet included in the manual are communicated by means of Service Bulletins.

## **VAN HOOL CUSTOMER PORTAL:**

Consult the Van Hool customer portal for the latest service documentation. Beside the maintenance manual, you will also find the operating manual and the spare parts catalogue of your vehicle on the customer portal. The customer portal is accessible through [www.vanhool.be/service](http://www.vanhool.be/service), and only with a code (password) from Van Hool. If you do not have a password yet, request it by using the above link.