

Instrument Cluster Reprogramming (MID 140)  
 VN

**SB-10058902-3344**

**FSB 381-014, Instrument Cluster, Reprogramming  
 (MID 140)**

(July 2015)

Certain VOLVO VN Trucks equipped with a Cummins engine, and built between January 1, 2013 and July 27, 2015, may have an inactive fault code MID140 PSID 201 FMI 12 with multiple counts. The MID140 PSID 201 FMI 12 fault code can cause a check engine light and pop-up display in the cluster that reads "J1587 Communication Error with Vehicle ECU". The check engine light and pop-up display occurs only when the fault code is "Active". The fault code does not cause any drivability issues with the truck, and is only a "ghost code". The ghost code is due to a message time out between the instrument cluster and vehicle ECU. To correct this issue, follow the reprogramming steps outlined in this Field Service Bulletin.

Service personnel: Please circulate, read and initial

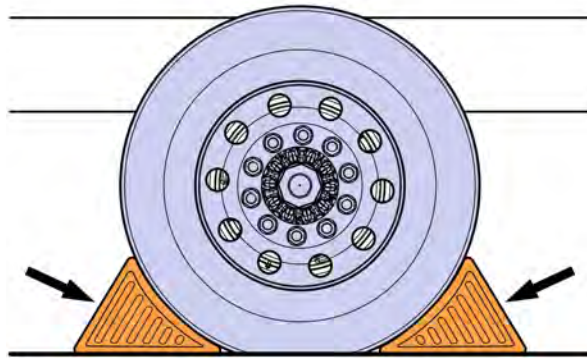
Service Manager	Warranty Administrator	Workshop Foreman	Service Technicians						

## Repair, Reprogramming Procedure

You must read and understand the precautions and guidelines in Service Information, group 30, "General Safety Practices, Electrical" before performing this procedure. If you are not properly trained and certified in this procedure, ask your supervisor for training before you perform it.

**NOTE:** Information is subject to change without notice. Illustrations are used for reference only and can differ slightly from the actual vehicle being serviced. However, key components addressed in this information are represented as accurately as possible.

- 1 Park the vehicle on a flat and level surface.
- 2 Apply the parking brake.
- 3 Place the transmission in neutral or park.
- 4 Install the wheel chocks.

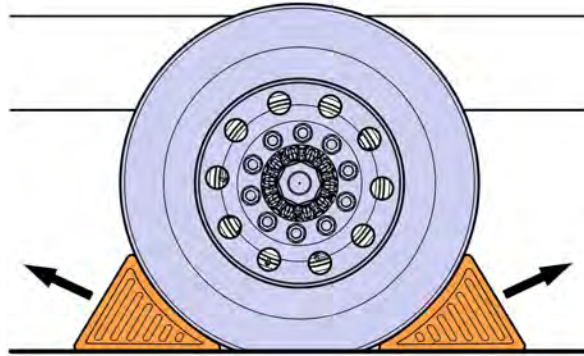


W7086748

- 5 Run Accessory Kit 85146678.
- 6 Reprogram the Instrument Cluster (MID140).

**Note:** Follow the on screen prompts until the programming is complete.

7 Remove the wheel chocks.



W7086759

**Reimbursement**

<b>This repair may be eligible for reimbursement if a product failure was experienced within time and mileage limits of the applicable Warranty coverage. Reimbursement is obtained via the normal claim handling process.</b>	<b>UCHP Reimbursement</b>	<b>eWarranty Reimbursement</b>
<b>Claim Type (used only when uploading from the Dealer Bus. Sys.)</b>	W	W
<b>Labor Code</b>		
Primary Labor Code (Instrument Cluster, Reprogramming, MID 140)	3811-22-09-02 0.7 hrs.	38112-2-00 0.7 hrs.
<b>Causal Part</b>	22712526	22712526

VOLVO Trucks North America reserves the right to make any changes in design or to make additions to or upon its products without incurring any obligations to install the same on vehicles previously built.