



# Service Bulletin

File in Section: -

Bulletin No.: PI1360A

Date: February, 2015

## PRELIMINARY INFORMATION

**Subject:** Alleged No Park or Vehicle Rolls in Park or Park Will Not Hold

**Models:** 2013-2015 Cadillac ATS, CTS Models, Escalade Models  
2013 Chevrolet Avalanche  
2013-2015 Chevrolet Camaro, Corvette, Express, Silverado, Suburban, Tahoe  
2013-2015 GMC Savana, Sierra, Yukon Models  
Equipped with 6L45, 6L50, 6L80, 6L90 Automatic Transmission (RPOs MYA, MYB, MYC, MYD)

**Attention:** This PI also applies to any of the above models that may be Export vehicles.

This PI has been revised to add the 14179A: Product Safety - Transmission Shift Cable reference in the Recommendation/Instructions. Please discard PI1360.

### Condition/Concern

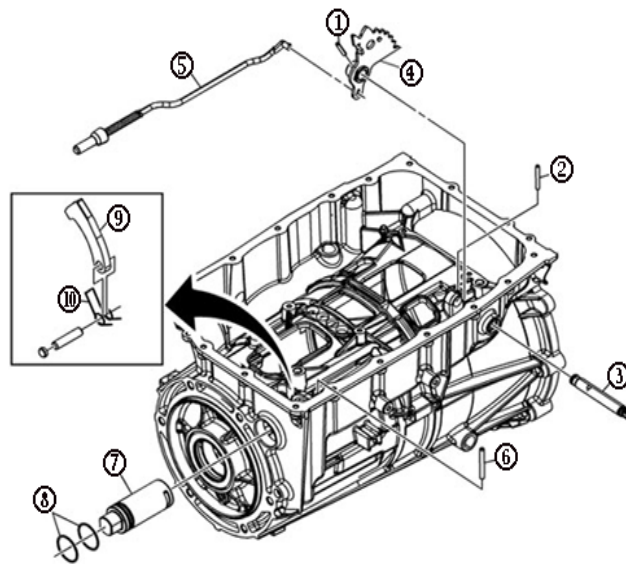
Some customers may comment that the vehicle will not hold after the shift lever was placed into the Park position or that the vehicle rolled after the shift lever was placed into the Park position and the brake pedal released.

### Recommendation/Instructions

Verify in the Investigate Vehicle History (IVH) to ensure the vehicle has been involved in either of the following bulletins listed below. If the bulletin applies to the vehicle and has not been completed, perform bulletin first before continuing with this PI.

- ⇒ 12331A – Steering Column Lock Actuator Gear
- ⇒ 14192 – Unwanted Transfer Case Shift to Neutral
- ⇒ 14179A – Transmission Shift Cable

If the bulletins listed above have been completed that applies to the vehicle, continue with inspections listed below. Attempt to duplicate the condition to verify the concern. In some cases it may not be possible to duplicate.



3981176

The following inspections listed below may be helpful for diagnoses:

- Inspect the shift cable for proper adjustment and attachment to the range selector lever.
- Remove the transmission oil pan and inspect for debris in the pan or obvious signs of damage.
- Inspect the manual shaft detent lever assembly (4) and park pawl actuator assembly (5) for damage.
- Inspect the park gear for damage or peening of the teeth.
- Inspect the park pawl (9) and park pawl spring (10) for damage.

If no damage was found during the inspection and the cause of the alleged no Park condition was not found, replace the park pawl actuator assembly (5). Refer to the part numbers listed below.

**Note:** The park pawl (9) and park pawl spring (10) are not serviced separately. If they are found to be damaged, the case assembly must be replaced.

## Parts Information

Part Number	Description	Qty
24246412	ACTUATOR, PARK PAWL (RPO MYA)	1
24242086	ACTUATOR, PARK PAWL (RPO MYB)	1
24242085	ACTUATOR, PARK PAWL (RPO MYC)	1
24242088	ACTUATOR, PARK PAWL (RPO MYD)	1

## Warranty Information

For vehicles repaired under warranty, use the appropriate labor operation for the repair performed.