

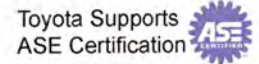
MIL "ON" DTC P0A80 Due to Dust or Debris in HV Battery Cooling Fan

SB-10055380-1736

Service Category Engine/Hybrid System

Section Hybrid/Battery Control System

Market USA



Applicability

YEAR(S)	MODEL(S)	ADDITIONAL INFORMATION
2013 – 2015	Prius	

REVISION NOTICE

June 24, 2015 Rev1:

- Applicability has been updated to include 2014 – 2015 model year Prius vehicles.
- The entire bulletin has been updated.

Any previous printed versions of this bulletin should be discarded.

Introduction

Some 2013 – 2015 model year Prius vehicles may exhibit a MIL "ON" condition with Diagnostic Trouble Code (DTC) P0A80 stored due to dust or debris buildup in the HV Battery Cooling Fan. Use the following Repair Procedure to address this condition.

Production Change Information

This bulletin applies to vehicles produced **BEFORE** and **AFTER** the Production Change Effective VIN shown below:

MODEL	REPAIR PROCEDURE	VIN BREAK	PRODUCTION CHANGE EFFECTIVE VIN
Prius	A	Before	JTDKN3DU#D0356257
	B	On or After	

Parts Information

PART NUMBER	APPLICABILITY	PART NAME	QTY
G92DH-47010	Before VIN Break	Filter, HV Battery Intake, No. 1	1
G92DH-47060	On or After VIN Break		
G9510-76010	All	Battery Assembly, HV Supply	1

MIL "ON" DTC P0A80 Due to Dust or Debris in HV Battery Cooling Fan

Warranty Information

OP CODE	PROCEDURE	DESCRIPTION	TIME	OFF	T1	T2
EL1400	A	Clean HV Battery Cooling Fan, Replace HV Battery Assembly, and Install HV Battery Cooling Fan Intake Filter	1.8	G9510-76010	8A	99
EL1401	B	Clean HV Battery Cooling Fan, Replace HV Battery Assembly, and Clean or Replace HV Battery Cooling Fan Intake Filter	2.0			

APPLICABLE WARRANTY

- This repair is covered under the Toyota Hybrid System Warranty. This warranty is in effect for 96 months or 100,000 miles, whichever occurs first, from the vehicle's in-service date.
- For California specification Prius vehicles sold, registered, and operated in California, Connecticut, Maine, Maryland, Massachusetts, New Jersey, New York, Oregon, Rhode Island, and Vermont, this repair is covered under the California Emission Warranty, which is in effect for 120 months or 150,000 miles, whichever occurs first, from the vehicle's in-service date.
- Warranty application is limited to occurrence of the specified condition described in this bulletin.

Required Tools & Equipment

REQUIRED EQUIPMENT	SUPPLIER	PART NUMBER	QTY
Techstream 2.0*	ADE	TS2UNIT	1
Techstream Lite		TSLITEPDLR01	

* Essential SST.

NOTE

- Only ONE of the Techstream units listed above is required.
- Software version 10.10.018 or later is required.
- Additional Techstream units may be ordered by calling Approved Dealer Equipment (ADE) at 1-800-368-6787.

MIL "ON" DTC P0A80 Due to Dust or Debris in HV Battery Cooling Fan

Required Tools & Equipment (Continued)

SPECIAL SERVICE TOOLS (SST)	PART NUMBER	QTY
Electrical Insulating Gloves*	00002-03100-S (Small)	1
	00002-03200-M (Medium)	
	00002-03300-L (Large)	

CAUTION

Always inspect Electrical Insulating Gloves before use for cracks, ruptures, tears, pinholes, or damage. Do NOT wear if damaged.

NOTE

Additional SSTs may be ordered by calling 1-800-933-8335.

* Essential SST.

Repair Procedure

NOTE

There are 2 Repair Procedures for this condition depending on the VIN.

- Before VIN break, use procedure A.
- On or After VIN break, use procedure B.

Please confirm which repair applies to the vehicle you are working on by consulting the Production Change Information table.

Repair Procedure A

1. Inspect the HV Battery Cooling Fan for dust or debris buildup.

Refer to the Technical Information System (TIS), applicable model and model year Repair Manual:

- [2013 / 2014 / 2015 Prius](#):
Engine/Hybrid System – Hybrid/Battery Control System – “Hybrid/Battery Control: Battery Blower: Removal”

MIL "ON" DTC P0A80 Due to Dust or Debris in HV Battery Cooling Fan

Repair Procedure A (Continued)

Is the HV Battery Cooling Fan clogged with dust or debris buildup? Refer to Figure 1 for an example of a clogged cooling fan.

- **YES** — Proceed to step 2.
- **NO** — This bulletin does NOT apply. Troubleshoot the vehicle using the Repair Manual procedure.

Refer to TIS, applicable model and model year Repair Manual:

[2013](#) / [2014](#) / [2015](#) Prius:

Engine/Hybrid System – Hybrid/Battery Control System – “Hybrid/Battery Control: Hybrid Battery System: P0A80-123: Replace Hybrid Battery Pack”

2. Using vacuum, and compressed air, if necessary, clean any dust, lint, or debris buildup from the HV Battery Cooling Fan blades, module, and ducts.

Figure 1. HV Battery Cooling Fan BEFORE Cleaning



Figure 2. HV Battery Cooling Fan AFTER Cleaning



NOTICE

- Do NOT attempt to clean the HV Battery Cooling Fan while it is installed in the vehicle. Doing so may cause dust or debris to enter the HV Battery Case.
- Failure to secure the fan blades while cleaning can result in electronic circuit failure due to overturning.

MIL "ON" DTC P0A80 Due to Dust or Debris in HV Battery Cooling Fan

Repair Procedure A (Continued)

3. Replace the HV Battery Assembly.

Refer to TIS, applicable model and model year Repair Manual:

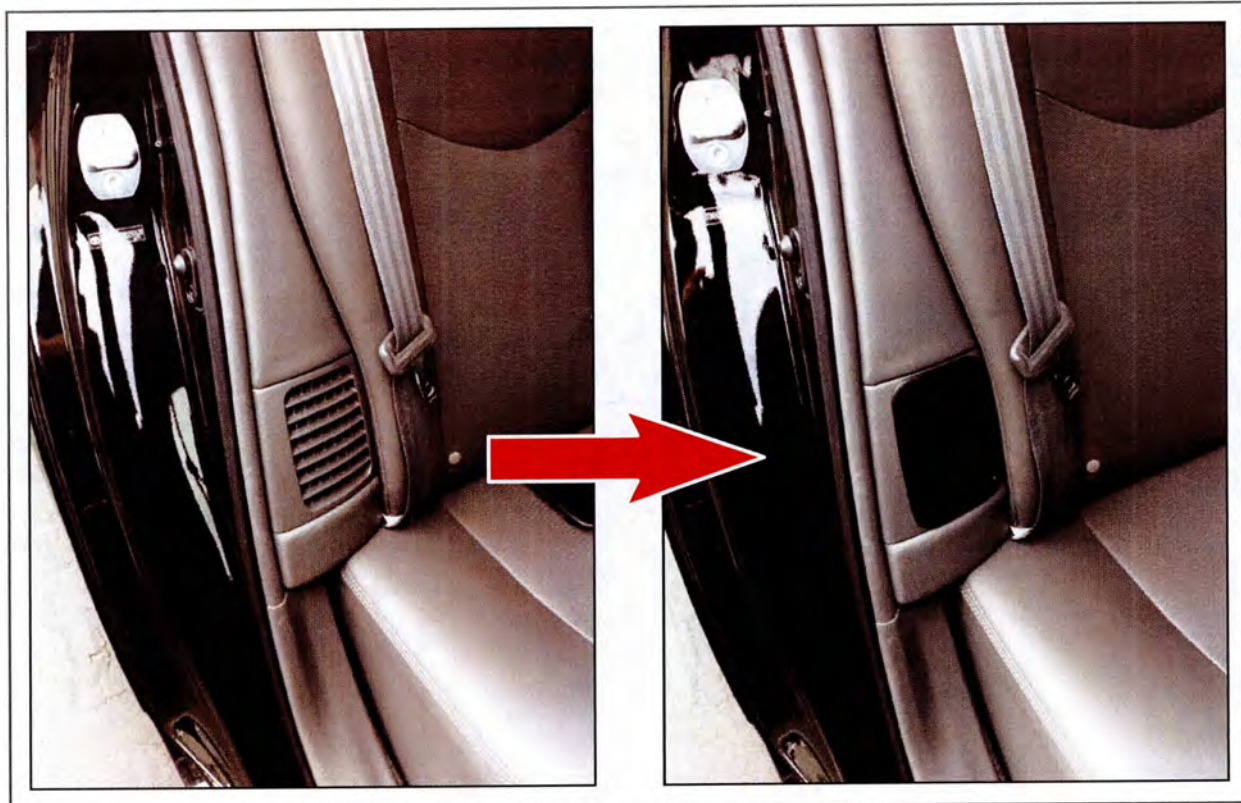
- 2013 Prius:
Engine/Hybrid System – Hybrid/Battery Control System – “Hybrid/Battery Control: HV Battery: [Removal / Installation](#)”
- 2014 Prius:
Engine/Hybrid System – Hybrid/Battery Control System – “Hybrid/Battery Control: HV Battery: [Removal / Installation](#)”
- 2015 Prius:
Engine/Hybrid System – Hybrid/Battery Control System – “Hybrid/Battery Control: HV Battery: [Removal / Installation](#)”

4. Install the HV Battery Cooling Fan Intake Filter as shown (P/N G92DH-47010).

NOTE

The filter should be cleaned when dust begins to appear on the surface.

Figure 3.



MIL "ON" DTC P0A80 Due to Dust or Debris in HV Battery Cooling Fan

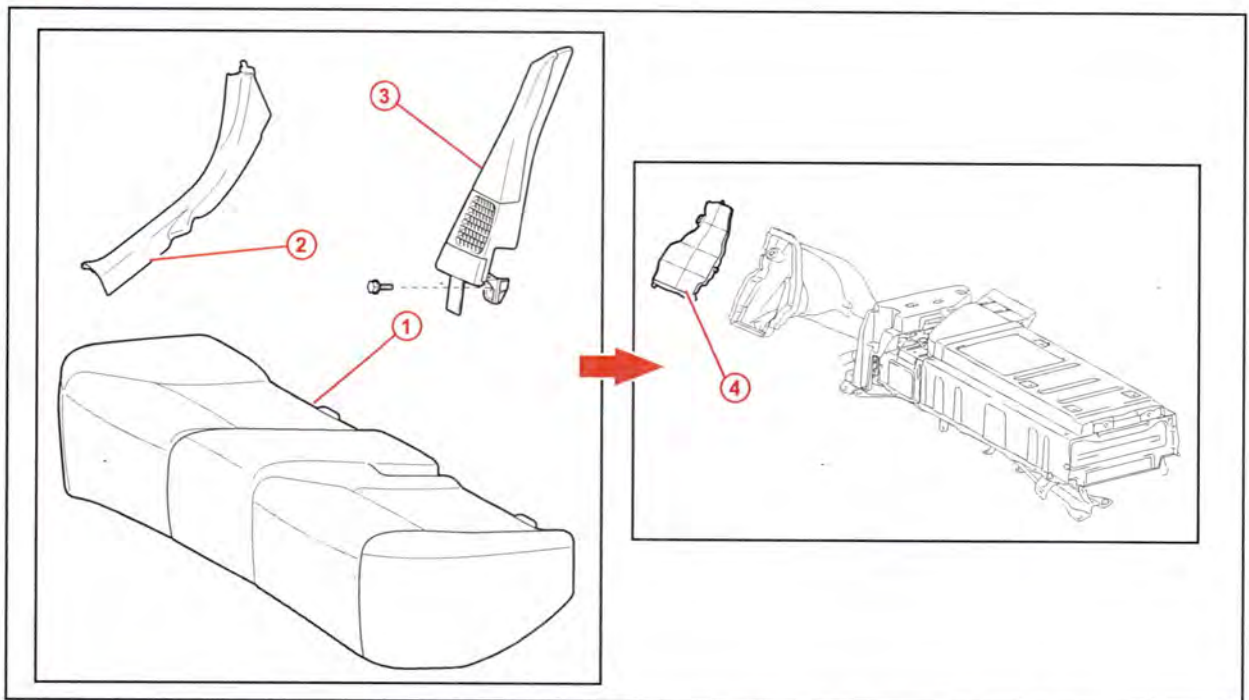
Repair Procedure A (Continued)

5. Clear any DTCs that have set during the Repair Procedure and test drive the vehicle to confirm normal operation.
6. For severe usage vehicles, refer to Service Bulletin [T-SB-0198-11](#), "HV Battery Cooling Fan Maintenance for Severe Usage Vehicles," for additional HV Battery Cooling Fan maintenance recommendations.

Repair Procedure B

1. Is the internal filter clogged with dust or debris buildup?

Figure 4.



1	Rear Seat Cushion Assembly
2	Rear Door Scuff Plate RH

3	Rear Side Seat Back Assembly RH
4	Hybrid Battery Intake Filter

NOTE

The seat back does NOT need to be removed even though it's not shown in the Figure above.

MIL "ON" DTC P0A80 Due to Dust or Debris in HV Battery Cooling Fan

Repair Procedure B (Continued)

- **YES** — Continue to step 2.
- **NO** — This bulletin does NOT apply. Refer to TIS, applicable model and model year Repair Manual:

2013 / 2014 / 2015 Prius:

Engine/Hybrid System – Hybrid/Battery Control System – “Hybrid/Battery Control: Hybrid Battery System: P0A80-123; Replace Hybrid Battery Pack”

NOTE

See step 2 for hybrid battery blower removal for battery intake duct access and inspection.

2. Check the physical condition of the internal filter.
 - A. If the filter is damaged, replace the HV Battery Intake Filter No. 1 (P/N G92DH-47060).
 - B. If the filter is physically OK, clean using vacuum and make sure no contaminants enter the HV Battery cooling system including fan.

CAUTION

- Clean the HV battery intake duct No. 1 with vacuum. Do NOT use water or fluid when cleaning.
- Do not use a wire brush or a scrub brush for cleaning the HV Battery Intake Filter No. 1 due to a concern that the brush may damage the part.

Refer to TIS, applicable model and model year Repair Manual:

- 2013 / 2014 / 2015 Prius:

Engine/Hybrid System – Hybrid/Battery Control System – “Hybrid/Battery Control: Battery Blower: Removal”

3. Replace the HV Battery Assembly.

Refer to TIS, applicable model and model year Repair Manual:

- 2013 Prius:
Engine/Hybrid System – Hybrid/Battery Control System – “Hybrid/Battery Control: HV Battery: [Removal](#) / [Installation](#)”
- 2014 Prius:
Engine/Hybrid System – Hybrid/Battery Control System – “Hybrid/Battery Control: HV Battery: [Removal](#) / [Installation](#)”
- 2015 Prius:
Engine/Hybrid System – Hybrid/Battery Control System – “Hybrid/Battery Control: HV Battery: [Removal](#) / [Installation](#)”

MIL "ON" DTC P0A80 Due to Dust or Debris in HV Battery Cooling Fan

Repair Procedure B (Continued)

4. Clear any DTCs that have set during the Repair Procedure and test drive the vehicle to confirm normal operation.
5. For severe usage vehicles, refer to Service Bulletin [T-SB-0198-11](#), "*HV Battery Cooling Fan Maintenance for Severe Usage Vehicles*," for additional HV battery cooling fan maintenance recommendations.