



# Service Bulletin

File in Section: -

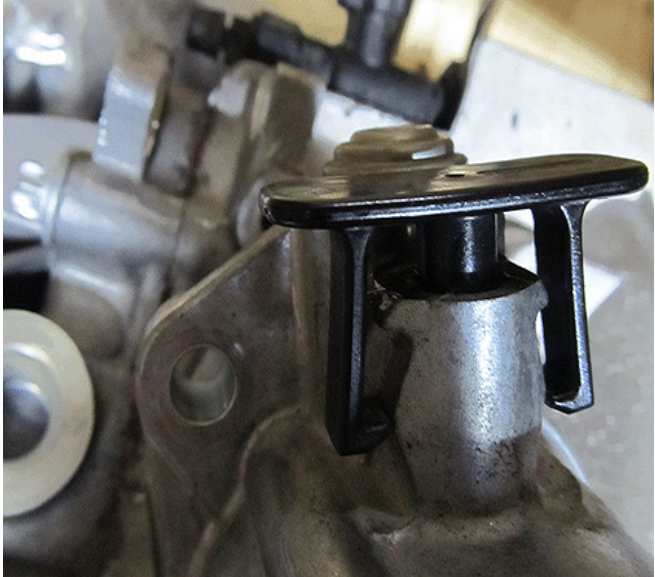
Bulletin No.: 15-NA-073

Date: December, 2015

## TECHNICAL

**Subject:** Difficult to Shift and/or Hard to Get into Gear

Brand:	Model:	Model Year:		VIN:		Engine:	Transmission:
		from	to	from	to		
Chevrolet	Cruze	2012	2016				Manual Transmission (RPO M32)
Chevrolet	Sonic	2012	2016				Manual Transmission (RPO M32)

<b>Condition</b>	Some customers may comment on difficulty to shift and/or hard to get into gear.
<b>Cause</b>	 <p style="text-align: right; font-size: small;">4321428</p> <p>This condition may be due to the shift tower blocking pin not being fully retracted.</p>

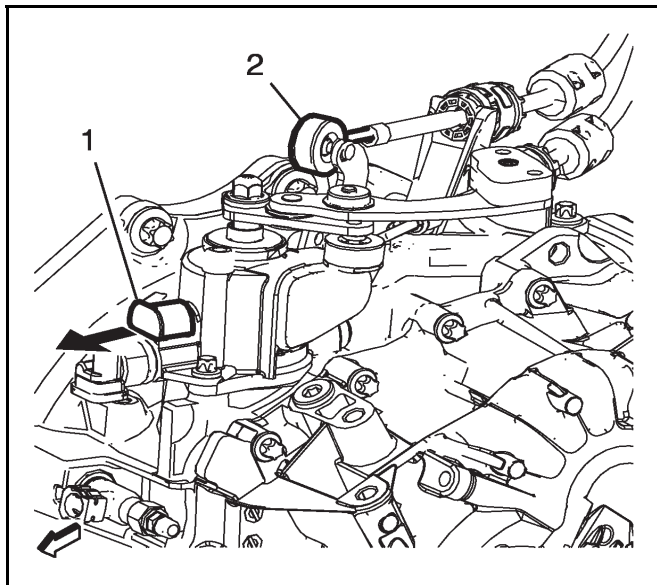
**Correction**



4322152

Pull the shift tower blocking pin tabs (1) to the fully retracted position.

**Service Procedure:**



2859277

**Note:** When unblocking the blocking device (1), a defined snap noise should be audible and a snap effect should be felt.

To unblock the shift control housing, push slightly the selector lever (2) backwards and pull (arrow) the blocking device away from the shift control housing.

**Warranty Information**

For vehicles repaired under the Powertrain coverage, use the following labor operation. Reference the Applicable Warranties section of Investigate Vehicle History (IVH) for coverage information.

Labor Operation	Description	Labor Time
8480358*	Shift Tower Blocking Pin Adjustment	0.2 hr

\*This is a unique Labor Operation for Bulletin use only.

Version	1
Modified	

