



Service Bulletin

File in Section: -

Bulletin No.: 15-NA-074

Date: December, 2015

TECHNICAL

Subject: Seatbelt Pretensioner Harness Out of Position, Airbag Indicator Light ON, DTCs Set

Brand:	Model:	Model Year:		VIN:		Engine:	Transmission:
		from	to	from	to		
Chevrolet	Impala	2009	2010			All	All

Condition	Some customers may comment that the vehicle airbag indicator light is on. When checking the vehicle for DTCs, the inflatable restraint sensing and diagnostic module (SDM) may report codes B001A, B001B, B0014, B0015, B0021 and B0022.
Cause	This condition may be caused by the seatbelt pretensioner harness being out of position, pinched between the harness and seat frame. Poor harness connector terminal contact, misalignment, or corrosion.

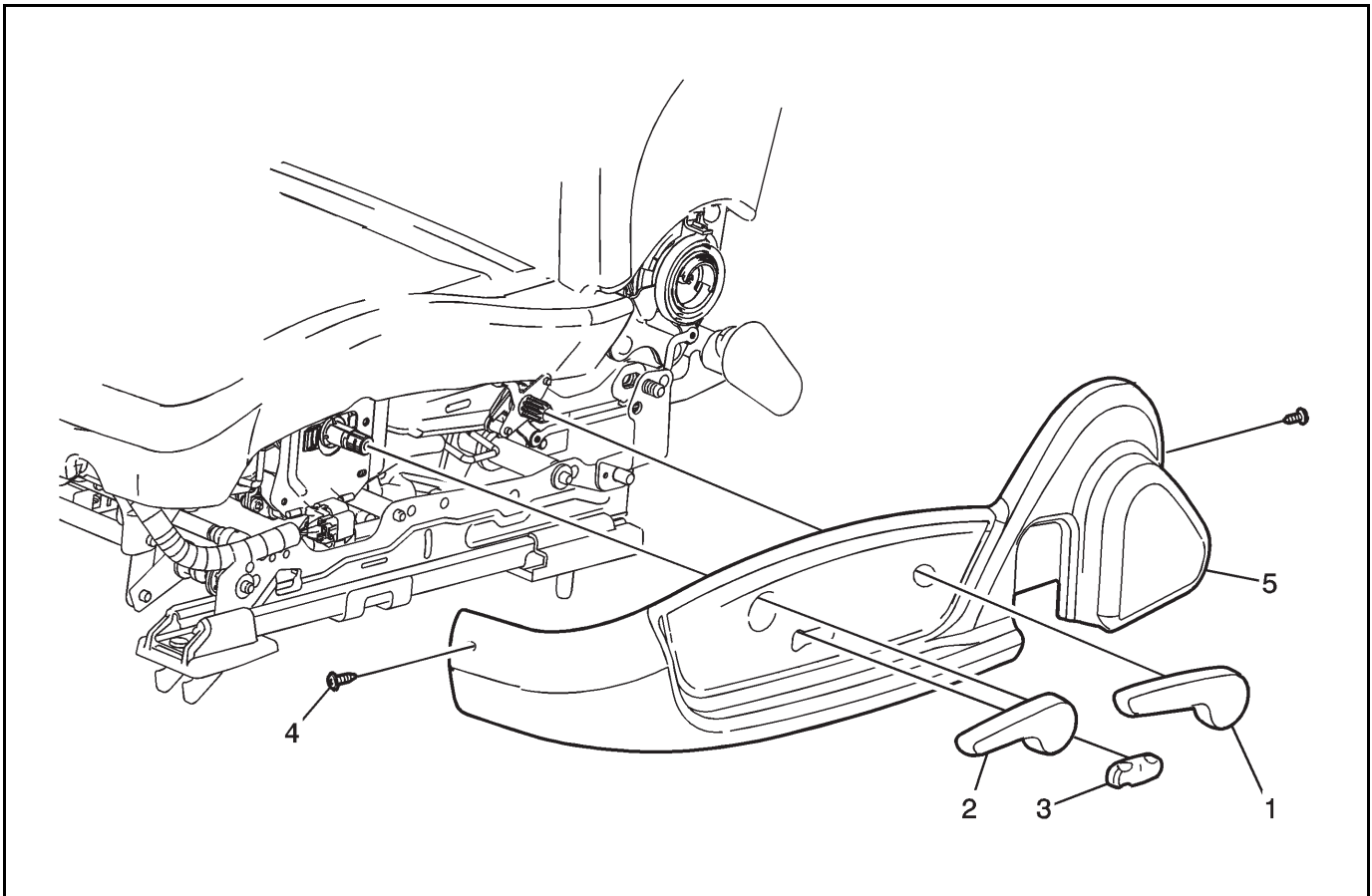
Correction

- Inspect the pretensioner harness on both front seats for damage from contact to the vehicle seat frame. Reposition or replace the harness, add additional tape or tie strap.
- Inspect the harness connectors for terminal damage, proper seating and corrosion.
- Add dielectric grease.

Service Procedure

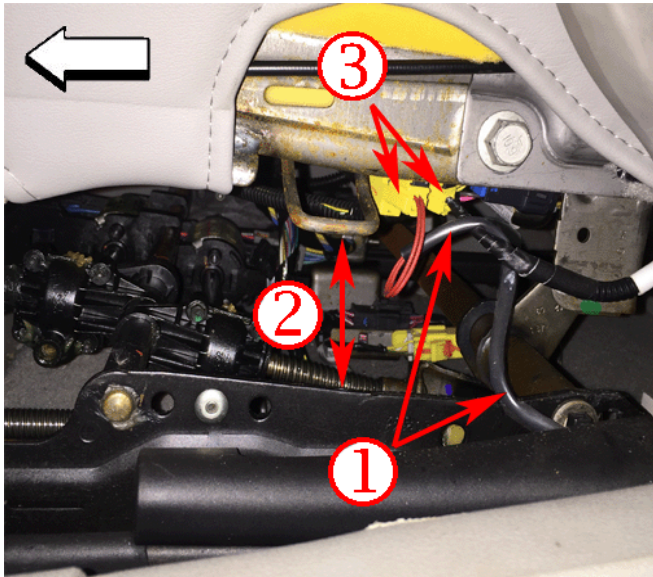
Note: The seatbelt pretensioner harness can be initially inspected for damage or pinching by looking up under the seat bottom, viewed from the rear seat footwell.

1. Move both front seats to the forward and raised position.
2. Disable the SIR system. Refer to SIR Disabling and Enabling in SI.



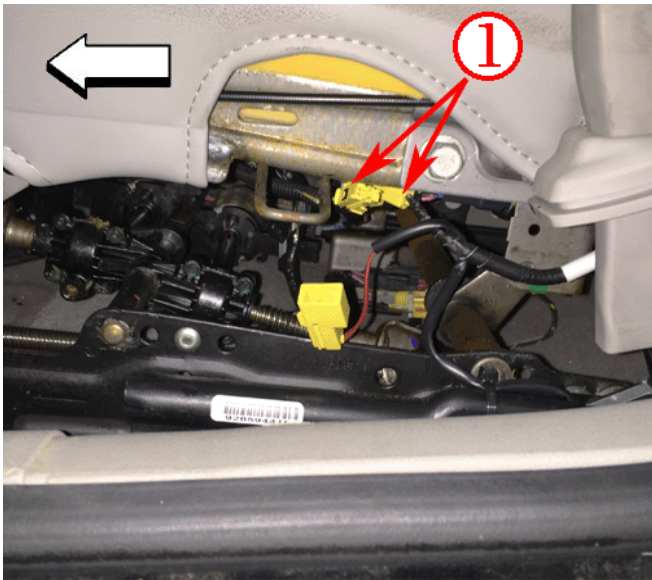
1582956

3. Remove the driver seat cushion outer trim panel. Refer to Seat Cushion Outer Trim Panel Replacement in SI.



4322447

4. Inspect the seatbelt pretensioner harness for damage. (Harness (1) shown correctly looped and secured rearward, away from pinch points (2), harness connectors (3) located next to cushion).
- If no damage found, route, or loop and secure the harness to the Side Impact Air Bag (SIAB) harness located at the rearmost part of the seat frame.
 - If harness is damaged or cut, depending on the location of the damage, replace the seatbelt pretensioner assembly or the seat harness. **Do not repair harness.** Refer to the Seat Belt Retractor Pretensioner Replacement - Front in SI. Refer to the Electronic Parts Catalog (EPC) using vehicle VIN information for correct part numbers.



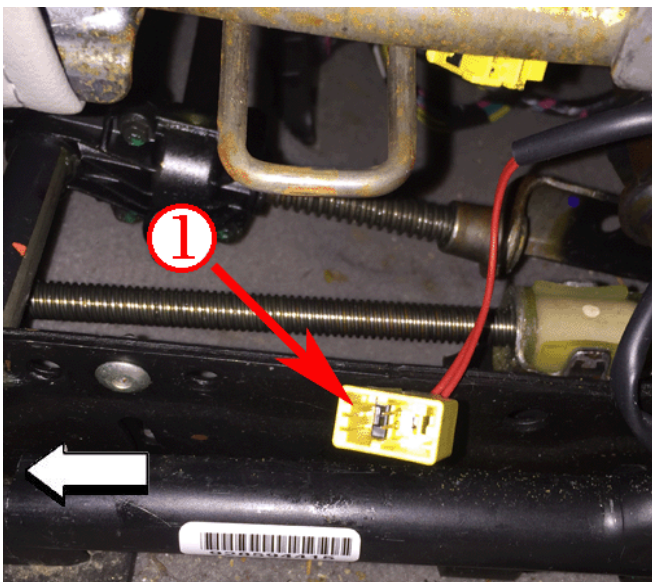
4322449

5. Disconnect both yellow SIR harness connectors (1) located next to the seat cushion.



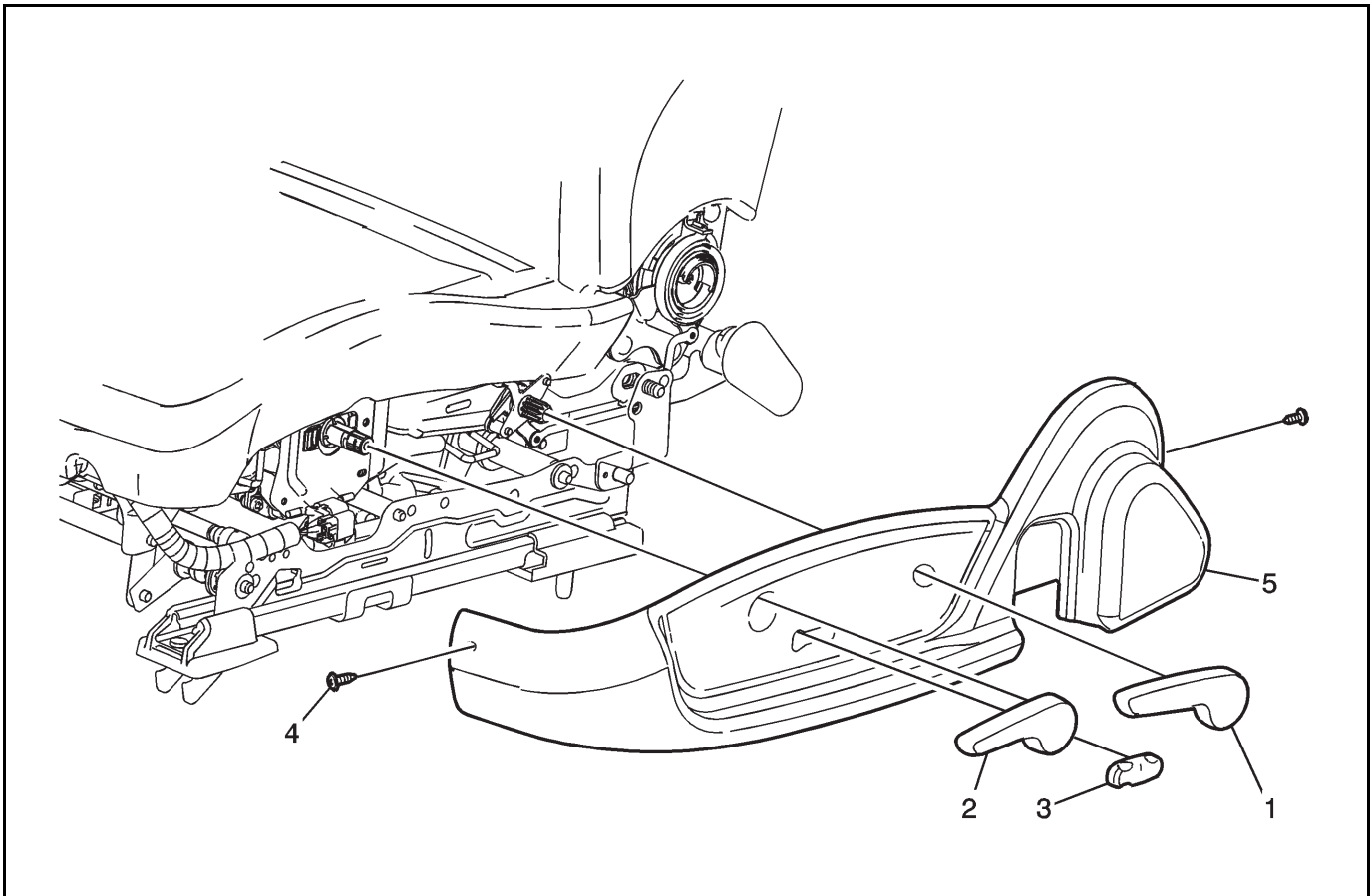
4322453

7. Apply dielectric grease to both male and female ends of the connectors.
8. Perform the same procedures on the passenger seat.



4322450

6. Inspect the connectors (1) for bent or misaligned pins or corrosion.
- If no issues found, apply dielectric grease, using an acid brush or suitable tool, to both male and female ends of the connectors and reconnect.
 - If connector pins are bent, corroded or damaged, replace or perform wiring repair. Refer to Connector Repairs in SI.



1582956

9. Reassemble the components.
10. Clear existing codes and check vehicle for DTCs to verify repair.

Warranty Information

Labor Operation	Description	Labor Time
5480218*	Inspect Harness, Reposition and Secure Harness, Lube Connectors.	1.0 hr
*This is a unique Labor Operation for Bulletin use only.		

Version	1
Modified	

GM bulletins are intended for use by professional technicians, NOT a "do-it-yourselfer". They are written to inform these technicians of conditions that may occur on some vehicles, or to provide information that could assist in the proper service of a vehicle. Properly trained technicians have the equipment, tools, safety instructions, and know-how to do a job properly and safely. If a condition is described, DO NOT assume that the bulletin applies to your vehicle, or that your vehicle will have that condition. See your GM dealer for information on whether your vehicle may benefit from the information.



WE SUPPORT VOLUNTARY
TECHNICIAN
CERTIFICATION