



NUMBER: 08-107-15

GROUP: Electrical

DATE: November 04, 2015

This bulletin is supplied as technical information only and is not an authorization for repair. No part of this publication may be reproduced, stored in a retrieval system, or transmitted, in any form or by any means, electronic, mechanical, photocopying, or otherwise, without written permission of FCA US LLC.

THIS SERVICE BULLETIN IS ALSO BEING RELEASED AS RAPID RESPONSE TRANSMITTAL (RRT) 15-104. ALL APPLICABLE SOLD AND UN-SOLD RRT VIN'S HAVE BEEN LOADED. TO VERIFY THAT THIS RRT SERVICE ACTION IS APPLICABLE TO THE VEHICLE, USE VIP OR PERFORM A VIN SEARCH IN TECHCONNECT. ALL REPAIRS ARE REIMBURSABLE WITHIN THE PROVISIONS OF WARRANTY.

SUBJECT:

Cross Threaded Antenna Nut

OVERVIEW:

This bulletin involves the replacement of the Radio Antenna Base/Cable Assembly and Radio Antenna Nut due to cross threading during assembly.

MODELS:

2016

(DS)

Ram 1500 Pickup

**NOTE: This bulletin applies to vehicles within the following markets/countries:
NAFTA and LATAM.**

NOTE: This bulletin applies to vehicles built on or after September 07, 2015 (MDH 0907XX) and on or before September 10, 2015 (MDH 0910XX).

SYMPTOM/CONDITION:

Upon inspection, the technician may find the radio antenna nut is cross threaded on the radio antenna base/cable assembly.

DIAGNOSIS:

If the customer describes the symptom/condition listed above, perform the Repair Procedure.

If a customer's VIN is listed in VIP or your RRT VIN list, perform the repair. For all other customers that describe the symptom/condition listed above, perform the Repair Procedure.

PARTS REQUIRED:

Qty.	Part No.	Description
1	05064341AA	Nut, Antenna Base
1	05064394AH	Antenna, Cable & Base Assembly

SPECIAL TOOLS/EQUIPMENT REQUIRED:

C-4816	Socket, Antenna
--------	-----------------



Fig. 1 Antenna Socket

REPAIR PROCEDURE:

1. Inspect the antenna nut for cross threading on the antenna base and cable assembly([Fig. 2](#)).

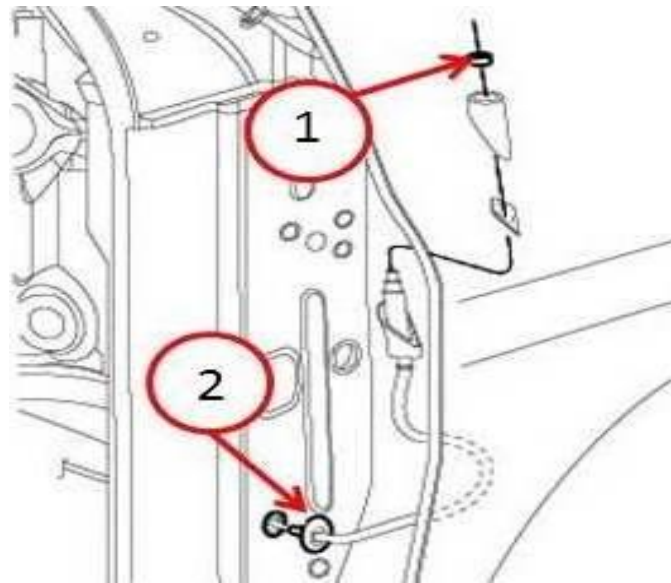


Fig. 2 Antenna Base and Cable Assembly

- 1 - Antenna Nut
- 2 - Grommet

-
2. Is the antenna nut cross threaded on the antenna base and cable assembly?
 - a. YES>>> Proceed to [Step #3](#).
 - b. NO>>>This bulletin has been completed, use Inspection Only LOP (08-60-05-97) to close the active RRT.
 3. Make note all radio presets; and the quality of radio reception for them before continuing with this repair.
 4. Disconnect and isolate the negative battery cable.

5. Remove the passenger side cowl trim panel ([Fig. 3](#)).

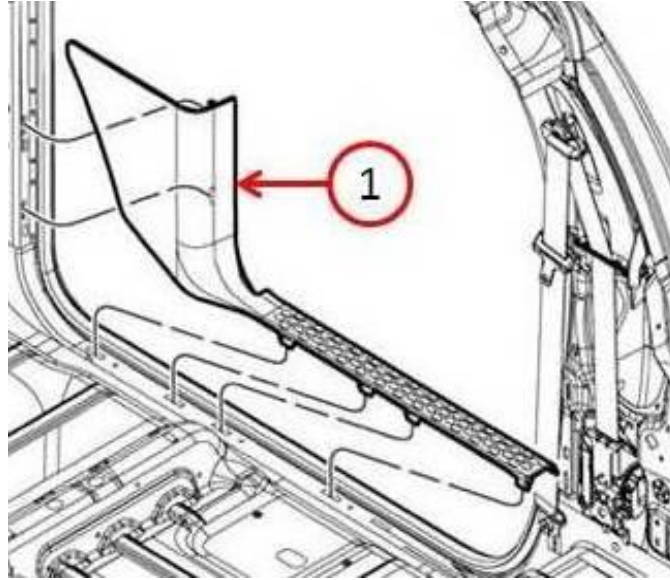


Fig. 3 Passenger Lower Trim Panel

1 - Passenger Lower Trim Panel

6. Disconnect the antenna mast connector from the instrument panel antenna connector ([Fig. 4](#)).

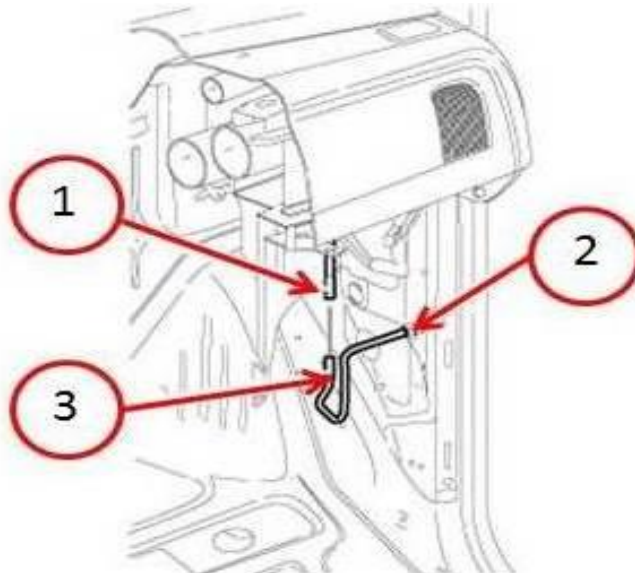


Fig. 4 Antenna Mast Connection

1 - Instrument Panel Antenna Connector
2 - Antenna Cable
3 - Antenna Cable Connector

7. Securely tie a suitable length of cord or twine to the antenna half of the antenna cable connector. This cord will be used to pull the antenna cable back into position during installation.
8. Remove the antenna mast.

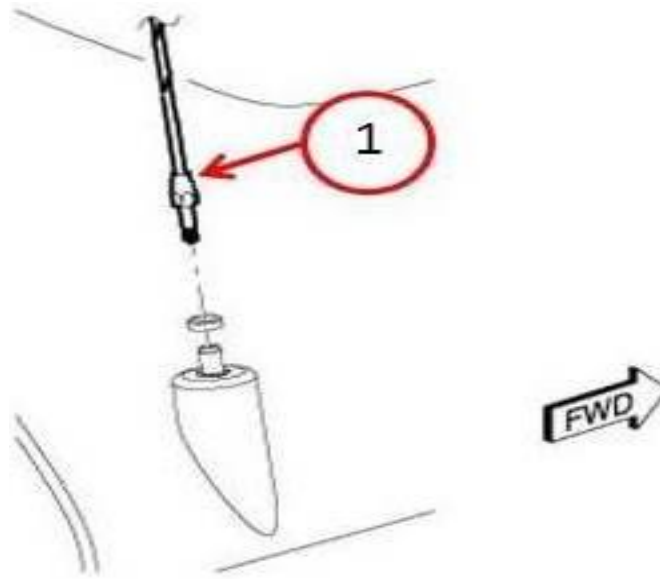


Fig. 5 Antenna Mast

1 - Antenna Mast

9. Remove the antenna cap nut using the Antenna Socket C-4816(Fig. 6).

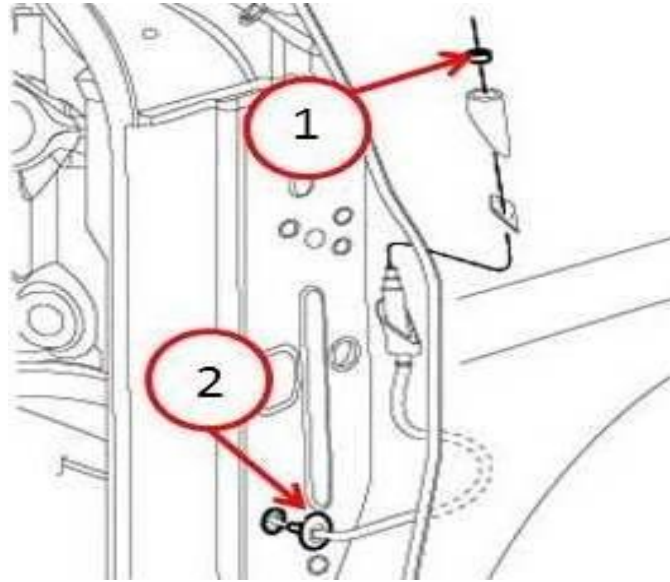


Fig. 6 Antenna Base and Cable Assembly

- 1 - Antenna Nut
2 - Grommet
-

10. Remove the antenna adapter.
11. With the passenger door open, pull the antenna body assembly out through the opening between the fender and body.
12. Tie the cord that was used during the removal procedure to the cable being installed.
13. Using the cord, pull the antenna cable through the hole in the door opening and seat grommet into place.

14. Insert the antenna body through the hole in the fender and install adapter ([Fig. 7](#)).

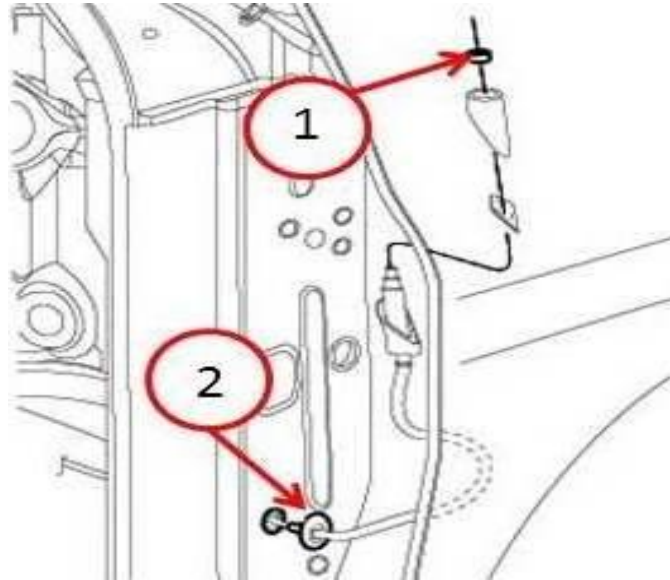


Fig. 7 Antenna Base and Cable Assembly

1 - Antenna Nut

2 - Grommet

15. Install and tighten the antenna cap nut with the Antenna Socket C-4816.

16. Verify that the antenna grommet is fully seated.

17. Connect the antenna mast connector to the instrument panel antenna cable (Fig. 8).

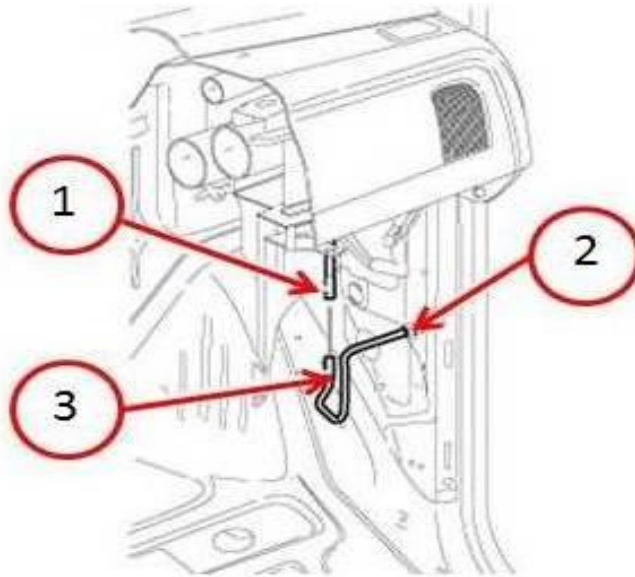


Fig. 8 Antenna Mast Connection

- 1 - Instrument Panel Antenna Connector
 - 2 - Antenna Cable
 - 3 - Antenna Cable Connector
-

18. Install the passenger cowl trim panel.

19. Install the antenna mast (Fig. 9).

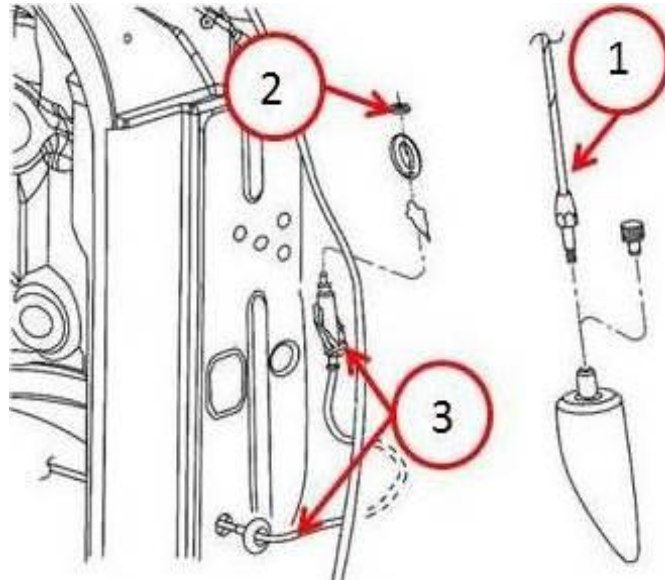


Fig. 9 Antenna Mast Base and Cable Assembly

- 1 - Antenna Mast
- 2 - Antenna Nut
- 3 - Antenna Base and Cable Assembly

- 20. Connect the battery negative cable.
- 21. Verify the repair by checking the radio reception on the stations previously identified for presets.
- 22. Set all customer presets to the previously noted positions.

POLICY:

Reimbursable within the provisions of the warranty.

TIME ALLOWANCE:

Labor Operation No:	Description	Skill Category	Amount
08-60-05-97	Inspect Only the Antenna, Cable & Base assembly with Antenna, nut	6 - Electrical and Body Systems	0.2 Hrs.
08-60-05-96	Inspect And Replace the Antenna, Cable & Base assembly with Antenna, nut (1 - Semi-Skilled)	6 - Electrical and Body Systems	0.4 Hrs.

FAILURE CODE:

ZZ	Service Action
----	----------------