

Service Bulletin

Circolare Tecnica - Technisches Rundschreiben - Circulaire Technique - Circular Tecnica

Date: 5th March 2015

Subject: **Windshield Fixation**

Product: **Stradale 800 MY 2015**

We inform you that the new windshield fixation kits for the Stradale 800 MY 2015 are available.

Updates are necessary on the following bikes:

- **MODEL STRADALE 800 from VIN ...V002046 up to VIN ...V002727 included**

We ask you to provide for the control and eventual update during the set-up and before consignment to the customer, during a service operation or at the first convenient opportunity at your workshop.

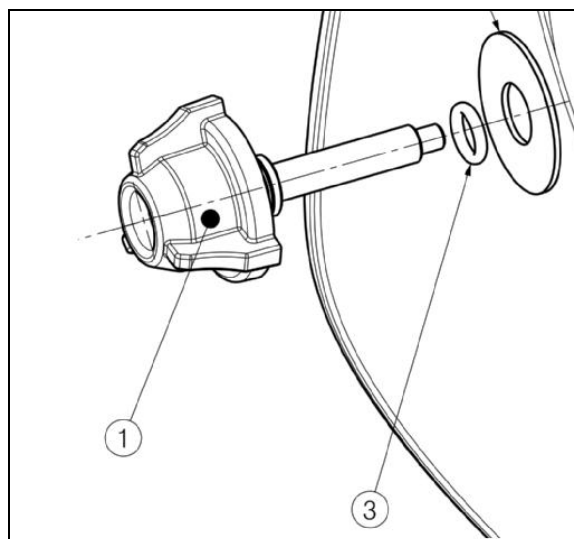
MATERIALS TO BE ORDERED FOR THE UPDATE:

- N° 1 item Part Number 8000C1428 ADJUSTABLE WINDSHIELD FIXATION KIT

PROCEDURE TO IMPLIMENT THE UPDATE:

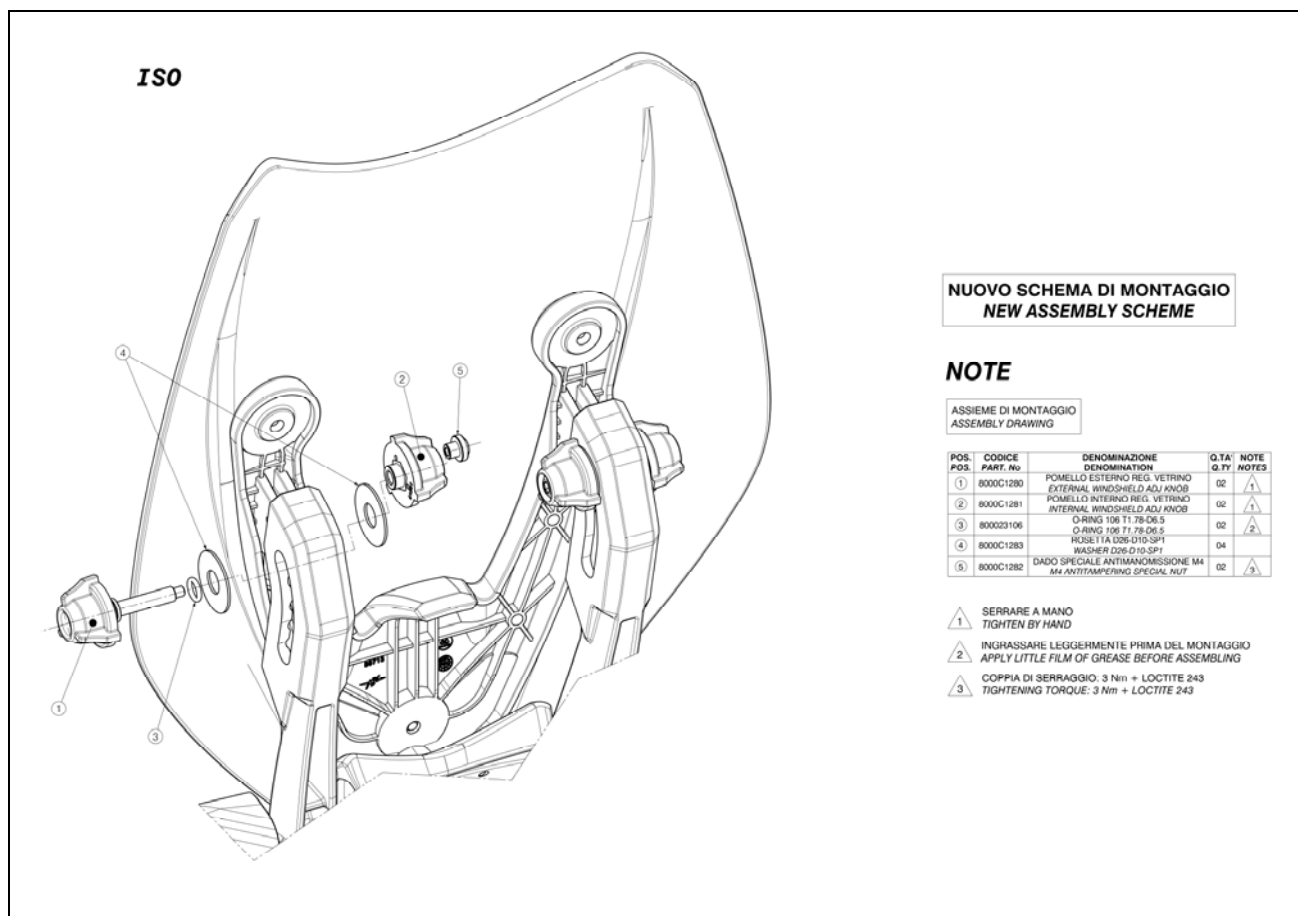
PLEASE NOTE: Follow the operations below on one side at a time.

- 1) Remove the nut and the special screw by using two male 5 mm Allen keys.
- 2) Grease and insert the O-ring (3) in its seat on the outer knob:



- 3) Insert the washers of new supply in contact with the knobs inside and outside.

4) Insert the external knob previously assembled (P/N 8000C1428 ADJUSTABLE WINDSHIELD FIXATION KIT) in its housing hole, and at the same time tighten the inner knob with washer. Hand tighten the knobs.



5) Apply Loctite 243 on the first threads of the special M4 screw of new supply. Insert the screw in place on the inner knob and tighten to a torque of 3 Nm using torque wrench, holding fixed the outer knob.

6) Repeat the above listed operations on the other side.

Procedure for Warranty reimbursement:

Send a Warranty Request for reimbursement of the parts and labor including all the relevant information regarding the motorcycle and parts with the following codes:

- Warranty Type = GS
- Special Warranty Code = 9603
- Part Number = 8000C1428
- Operation Code: R - 999
- Labor: 0,2 ore
- Defect Code: 099

Please make note to the Service Bulletin n° 139

The reimbursement of the warranty request will be carried out via Invoice as is the normal procedure.

Thank you in advance for your cooperation, for any need we advise you to contact the MV Agusta Service Dept.

Best Regards,
MV AGUSTA MOTOR S.p.A.
Technical Service Department