

# Service Bulletin

Circolare Tecnica - Technisches Rundschreiben - Circulaire Technique - Circular Tecnica

Date: 26<sup>th</sup> October 2015

Subject: **Checking-fixing exhaust pipes cover**

Product: **Turismo Veloce - Turismo Veloce Lusso - Stradale**

We inform you that it is necessary to check and fix the screws of the exhaust pipes cover with application thread locker (Loctite 270 Red High Temp) for models Turismo Veloce, Turismo Veloce Lusso and Stradale. These improvements are the result of the continuous quality control of our motorcycles.

**We ask you to provide the control and eventual update during the pre-delivery and before consignment to the customer, during a service operation or at the first convenient opportunity at your workshop.**

Updates are necessary on the following bikes:

- **TURISMO VELOCE – TURISMO VELOCE LUSSO model up to VIN ...001760 included**
- **STRADALE model up to VIN ...002931 included**

## PLEASE NOTE:

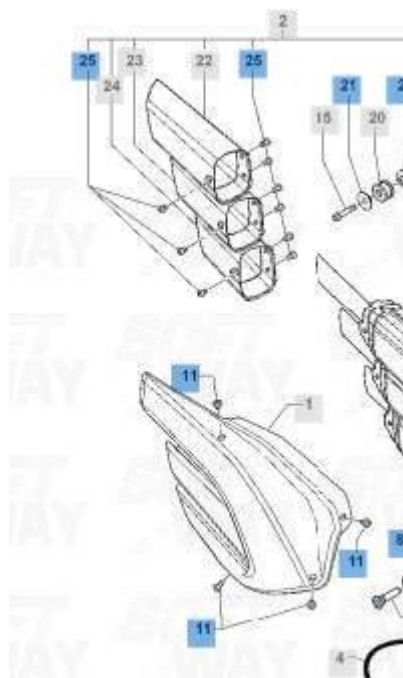
- The motorcycles with higher VIN numbers have already been updated.

**- Motorcycles with VIN included in the range indicated, but tagged with the yellow dot on the exhaust pipe (as shown in the image below) have already been updated in MV Agusta.**



## REPAIR/FIXING PROCEDURE:

1. FOR TURISMO VELOCE & LUSO ONLY: Remove the right footpeg bracket in order to have a full access to the fixing screws of the muffler.
2. Remove the muffler being careful when handling to not damage/scratch the heel guard and heat shields. Be careful and protect these areas properly.
3. Remove the exhaust pipes covers
4. Remove the fixing screws (item 25 in fiche picture below) of the exhaust tips and apply some Loctite 270 before reassembling. Tighten the screws to a torque of 5-7 Nm.
5. Reassemble the muffler protection
6. Fit back the muffler
7. FOR TURISMO VELOCE & LUSO ONLY: Reassemble the right footpeg



### Procedure for Warranty reimbursement:

Send a Warranty Claim including all the relevant data regarding the motorcycle, entering the following codes:

- Warranty Type: GS
- Special Warranty Code: 2805
- Defect Code: 074
- Operation Code: H082

Please in the note Service Bulletin 164 in the Comment section of the claim.

Thank you in advance for your cooperation, for any needs contact the MV Agusta Service Dept.

Best Regards,  
MV AGUSTA MOTOR S.p.A.  
Technical Service Department