

© 2015 Mazda Motor of America, Inc.

Subject: ELECTRIC PARKING BRAKE (EPB) WARNING LIGHT ON / EPB WILL NOT RELEASE IN COLD WEATHER	Bulletin No: 04-002/15
	Last Issued: 07/14/2015

APPLICABLE MODEL(S)/VINS

2016 CX-5 vehicles with VINs lower than JM3KE*****676325 (produced before June 9, 2015)

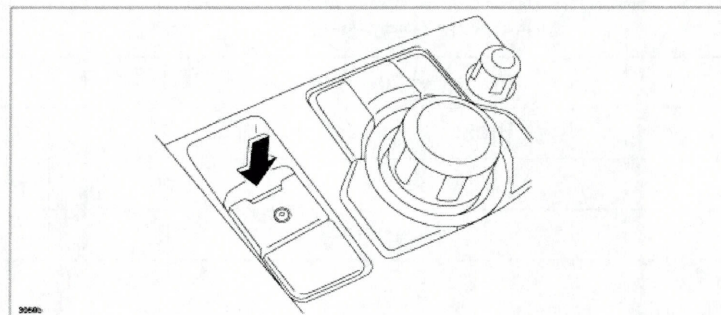
DESCRIPTION

In cold weather conditions of approx. -4 to 14 degrees F (-20 to -10 degrees C), some vehicles may exhibit the Electric Parking Brake (EPB) warning light on with one or more of the following DTCs present.

DTC	Description
C112A:77	Incorrect electric parking brake motor gear unit position
C2005:07	Mechanical problem of electric parking brake motor gear unit (RH)
C2005:19*	Electric parking brake motor gear unit (RH) circuit malfunction
C2005:74	Electric parking brake motor gear unit (RH) power transmission impossible (spin)
C2006:07	Mechanical problem of electric parking brake motor gear unit (LH)
C2006:19*	Electric parking brake motor gear unit (LH) circuit malfunction
C2006:74	Electric parking brake motor gear unit (LH) power transmission impossible (spin)

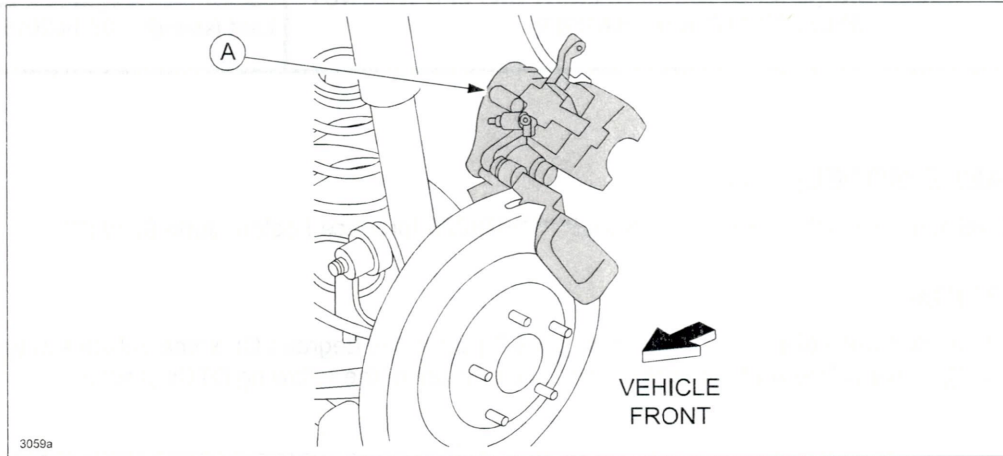
NOTE: * DTCs C2005:19 and/or C2006:19 should ALWAYS be present. If neither DTC is present, this bulletin is NOT applicable to the subject vehicle. Proceed with normal troubleshooting procedures according to MS3 online or the workshop manual.

This condition occurs when pressing the EPB switch to release the electric parking brake, however, the EPB will not release.



CONSUMER NOTICE: The information and instructions in this bulletin are intended for use by skilled technicians. Mazda technicians utilize the proper tools/equipment and take training to correctly and safely maintain Mazda vehicles. These instructions should not be performed by "do-it-yourselfers." Customers should not assume this bulletin applies to their vehicle or that their vehicle will develop the described concern. To determine if the information applies, customers should contact their nearest authorized Mazda dealership. Mazda North American Operations reserves the right to alter the specifications and contents of this bulletin without obligation or advance notice. All rights reserved. No part of this bulletin may be reproduced in any form or by any means, electronic or mechanical---including photocopying and recording and the use of any kind of information storage and retrieval system ---without permission in writing.

This concern may be caused by the EPB motor gear unit (A) dimensions being out of specification. The machining dimensions of EPB motor gear unit have been improved to eliminate this concern.



Customers having this concern should have their vehicle repaired using the following repair procedure.

REPAIR PROCEDURE

1. Verify the customer concern.
 - If DTCs C2005:19 (RH) and/or C2006:19 (LH) are present, proceed to Step 2.
 - If DTCs C2005:19 (RH) and/or C2006:19 (LH) are not present, this bulletin is NOT applicable. Proceed with normal troubleshooting procedures according to MS3 online or the workshop manual.
2. Replace the Electric Parking Brake Motor Gear Unit and Rear Brake Caliper(s) according to the instructions on MS3 online or the Workshop Manual (section 04-12 ELECTRIC PARKING BRAKE MOTOR GEAR UNIT REMOVAL/INSTALLATION and (section 04-11 CALIPER (REAR) DISASSEMBLY/ASSEMBLY).
3. Verify the repair.

PART(S) INFORMATION

Part Number	Description	Qty.	Notes
KA0G-26-8EXA	Unit, Motor Gear-EPB	1 or 2	---
KAY0-26-61X	Rear Brake Caliper (Right)	1	---
KAY0-26-71X	Rear Brake Caliper (Left)	1	---
KAY0-26-44Z	Caliper seal kit	1 or 2	Replacement Parts
9956-21-000	Gasket	2	Replacement Parts

WARRANTY INFORMATION

NOTE:

- This warranty information applies only to verified customer complaints on vehicles eligible for warranty repair.
- This repair will be covered under Mazda's New Vehicle Limited Warranty term.
- Additional diagnostic time cannot be claimed for this repair.

	One Side	Both Sides
Warranty Type	A	A
Symptom Code	40	40
Damage Code	9M	9M
Part Number Main Cause	KA0G-26-8EXA	KA0G-26-8EXA
Quantity	1	2
Operation Number:	XXL4WARX	XXL4WBRX
Labor Hours:	0.7 Hrs.	0.8 Hrs.
DSM approval necessary:	No	Yes

NOTE: Claim other parts as related parts.