



© 2015 Mazda Motor of America, Inc.

| | |
|---|--------------------------------|
| Subject: HARD SHIFTING/SHIFT LEVER VIBRATION | Bulletin No: 05-001/15 |
| | Last Issued: 11/30/2015 |

BULLETIN NOTE

- This bulletin supersedes the previous bulletins 05-001/15 issued on 11/11/15, 05-008/14 issued on 07/14/14 and 11/26/14 and 05-001/15 issued on 01/05/15. The PART(S) INFORMATION has been revised.
- Changes are noted below in Red beside the change bar.

APPLICABLE MODEL(S)/VINS

2012-2013 Mazda3 (SKYACTIV 6 M/T)

2014-15 Mazda3 (Japan built 6 M/T) with VINs lower than JM1BM*****276367 (produced before July 1, 2015)

2014-16 Mazda3 (Mexico built 6 M/T) with VINs lower than 3MZBM*****253322 (produced before August 31, 2015)

2013-2016 CX-5 (6 M/T) with VINs lower than JM3KE*****686295 (produced before July 1, 2015)

2014-2016 Mazda6 (6 M/T) with VINs lower than JM1GJ*****440069 (produced before July 1, 2015)

DESCRIPTION

Some vehicles may exhibit one of the following concerns:

- Sometimes the shifter may jump out of 3rd gear over a road bump when accelerating after deceleration at 25-40 mph (40-65 km/h)
- Hard to shift into 3rd, 4th, 5th, and/or 6th gear
- Shift lever vibrates when driving in 3rd or 4th gear

This is caused by inappropriate transmission internal parts.

MASS PRODUCTION CHANGES:

| Modification | Mass-Production Change | | Subject Concern |
|--------------|---|-------------------|---|
| | Subject Part | Changes | |
| A | 3-4 Clutch Hub | Surface treatment | Jumping out of gear |
| B | 3-4 Clutch Hub 5-6 Clutch Hub | Shape | Hard shifting into 3rd, 4th, 5th and/or 6th gear |
| C | 3rd and 4th Gears | Tolerance | Shift lever vibration |
| D | 3rd and 4th Gears 3rd and 4th Synchronizer Rings | Shape | Hard shifting into 3rd and/or 4th gear (additional improvement) |

Customers having this concern should have their vehicle repaired using the following repair procedure.

CONSUMER NOTICE: The information and instructions in this bulletin are intended for use by skilled technicians. Mazda technicians utilize the proper tools/equipment and take training to correctly and safely maintain Mazda vehicles. These instructions should not be performed by "do-it-yourselfers." Customers should not assume this bulletin applies to their vehicle or that their vehicle will develop the described concern. To determine if the information applies, customers should contact their nearest authorized Mazda dealership. Mazda North American Operations reserves the right to alter the specifications and contents of this bulletin without obligation or advance notice. All rights reserved. No part of this bulletin may be reproduced in any form or by any means, electronic or mechanical---including photocopying and recording and the use of any kind of information storage and retrieval system ---without permission in writing.

REPAIR PROCEDURE

1. Verify customer concern.
2. Remove the transaxle. Refer to MS3 online instructions or the Workshop Manual section 05-15.
3. Replace the specified parts in the below tables with modified ones according to the verified symptom(s) and the VIN in the repair. Refer to the C66M-R 6-speed SKYACTIV Manual Transaxle Workshop Manual.

NOTE: Bearing Puller part number 4907-10-520A is used for this repair.

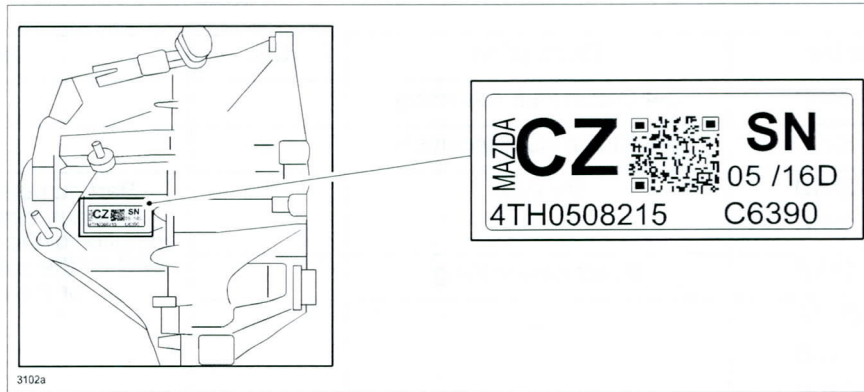
BEGINNING VIN AND DATE OF MODIFICATION:

| Vehicle | Modification | | | |
|------------------------------|----------------------------------|------------------------|-------------------------|-------------------------|
| | A | B | C | D |
| 2012-13 Mazda3 | All VINs are before modification | | | |
| 2014-15 Mazda3 JM1BM***** | -200302 Apr 3, 2014 | -228314 Aug 8, 2014 | -240521 Oct 24, 2014 | -276367 Jul 1, 2015 |
| 2014-16 Mazda3 3MZBM***** | -117653 Jun 2, 2014 | -157427 Oct 6, 2014 | -180516 Dec 22, 2014 | -253322 Aug 31, 2015 |
| 2013-16 CX-5 JM3KE***** | -466787 Apr 3, 2014 | -517027 Aug 8, 2014 | -545332 Oct 24, 2014 | -686295 Jul 1, 2015 |
| 2014-16 Mazda6 JM1GJ***** | -179581 Apr 3, 2014 | -203425 Aug 8, 2014 | -216951 Oct 24, 2014 | -440069 Jul 1, 2015 |

REPLACEMENT PARTS BY SYMPTOM AND VIN:

| VINs | Symptom | | | |
|--|---|------------------------------------|---|--|
| | Gear jumping out (3rd Gear) | Hard shifting (5th or 6th Gear) | Hard shifting (3rd or 4th Gear) | Shift lever vibration (3rd or 4th Gear) |
| VINs before Modification A | Replace: 1) 3/4 Clutch Hub 2) 3rd Gear and Synch. Ring | Replace: 1) 5/6 Clutch Hub | Replace: 1) 3/4 Clutch Hub 2) 3rd Gear and Synch. Ring 3) 4th Gear and Synch. Ring | Replace: 1) 3rd Gear and Synch. Ring 2) 4th Gear and Synch. Ring |
| VINs between Modification A and B | | | | |
| VINs between Modification B and C | | | Replace: 1) 3rd Gear and Synch. Ring 2) 4th Gear and Synch. Ring | |
| VINs between Modification C and D | | | | |

NOTE: The modification(s) applied to the transmission can also be found from the transmission number. The transmission number is printed on the label attached on the top side of the transaxle case. Refer to the below table for the beginning transmission numbers of each modification.



| Modification | Transmission Number | | | |
|--------------|---------------------|-----------------|----------|--------------|
| | Year | Production Line | Month | Sequence No. |
| A | 4 (2014) | TH | 03 (Mar) | 17951 |
| B | 4 (2014) | TH | 04 (Apr) | 01626 |
| C | 4 (2014) | TH | 10 (Oct) | 13178 |
| D | 5 (2015) | TH | 06 (Jun) | 23676 |

4. Install the transaxle.
5. Verify repair.

PART(S) INFORMATION

NOTE: Refer to the following illustrations for the parts location.

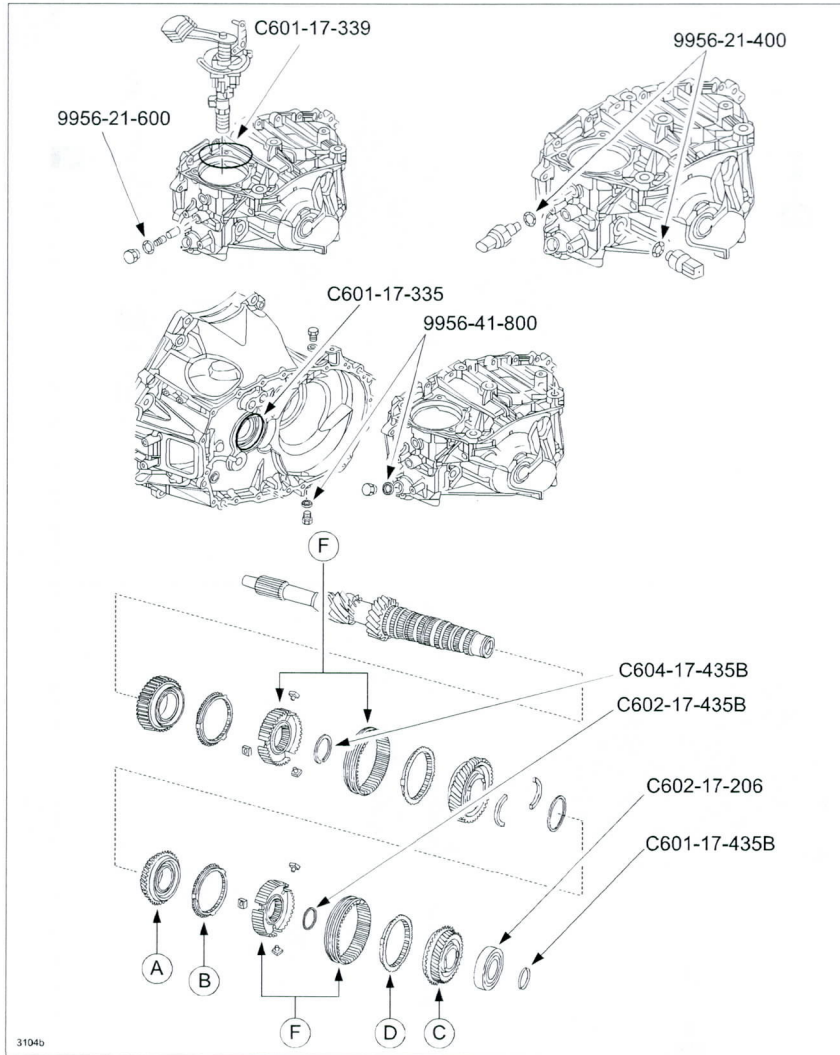
| Part Number | Description | Qty. | Notes |
|--|-------------------------|----------|---|
| C602-17-240B | 3-4 Clutch Hub Assembly | 1 | |
| C602-17-620C | 5-6 Clutch Hub Assembly | 1 | |
| C601-17-230D C610-17-230C | 3rd Gear | 1 | Part numbers of gears are different depending on the variation of the gear ratio. Check EPC for the correct part number for the repair VIN. |
| C602-17-26YB | Synchronizer Ring | 2 | |
| C601-17-210E C603-17-210B C613-17-210B | Gear, Main Drive | 1 | |
| F401-17-313 | Reamer Bolt | 6 | Replacement parts that are necessary for all repairs. |
| C601-17-435B | Retaining Ring | 1 | |
| C604-17-435B | Retaining Ring | 1 | |
| D602-17-435B | Retaining Ring | 1 | |
| C602-17-206 | Ball Bearing | 1 | |
| C601-17-339 | "O" Ring | 1 | |
| C601-17-335 | Oil Seal | 1 | |
| 9956-21-400 | Washer | 2 | |
| 9956-21-600 | Washer | 1 | |
| 9956-41-800 | Washer | 2 | |
| 0000-77-5W80-QT | Manual Transaxle Oil | 3 | Specification: 2.6 - 2.7 US qt |

Other parts that need to be replaced. Obtain the part numbers from the EPC.

| Description | Qty. | Notes |
|-------------------------------|------|-----------------|
| Bolt (for Intermediate Shaft) | 1 | For 2WD and 4WD |
| Clip (for Drive Shaft) | 1 | |
| Clip (for Tie-rod End) | 2 | |
| Nut (Wheel Hub) | 2 | For 4WD only |
| Gasket (for Exhaust Manifold) | 1 | |
| Gasket (for Exhaust Pipe) | 2 | |
| Flange Nut (for Exhaust Pipe) | 4 | |

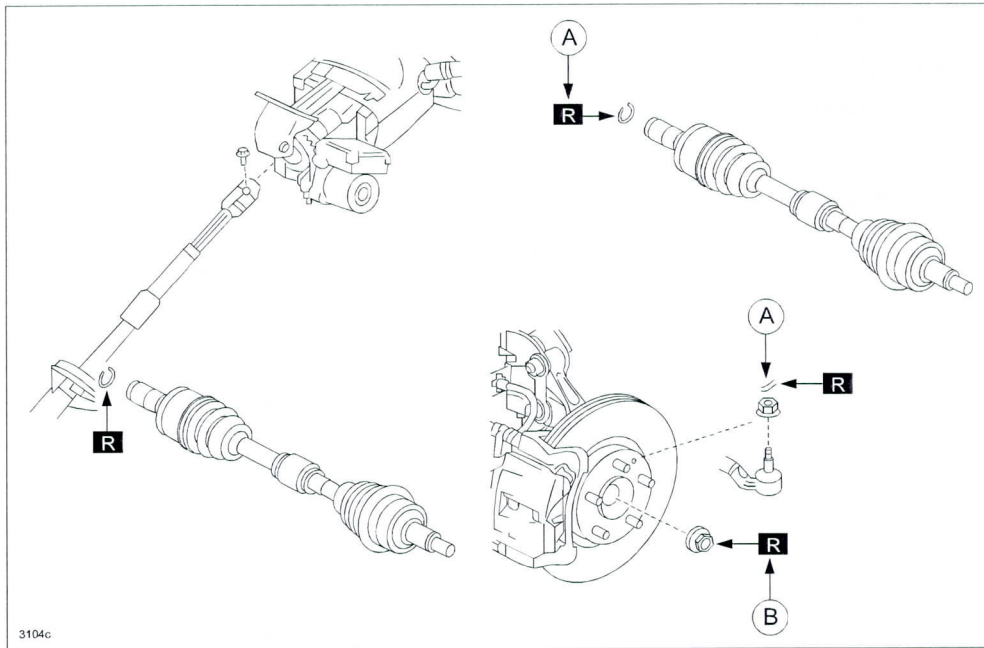
Location of Transmission Related Parts

- A: 3rd Gear
- B: 3rd Synchronizer Ring
- C: 3/4 Clutch Hub Assembly
- D: 4th Synchronizer Ring
- E: 4th Gear
- F: 5/6 Clutch Hub Assembly



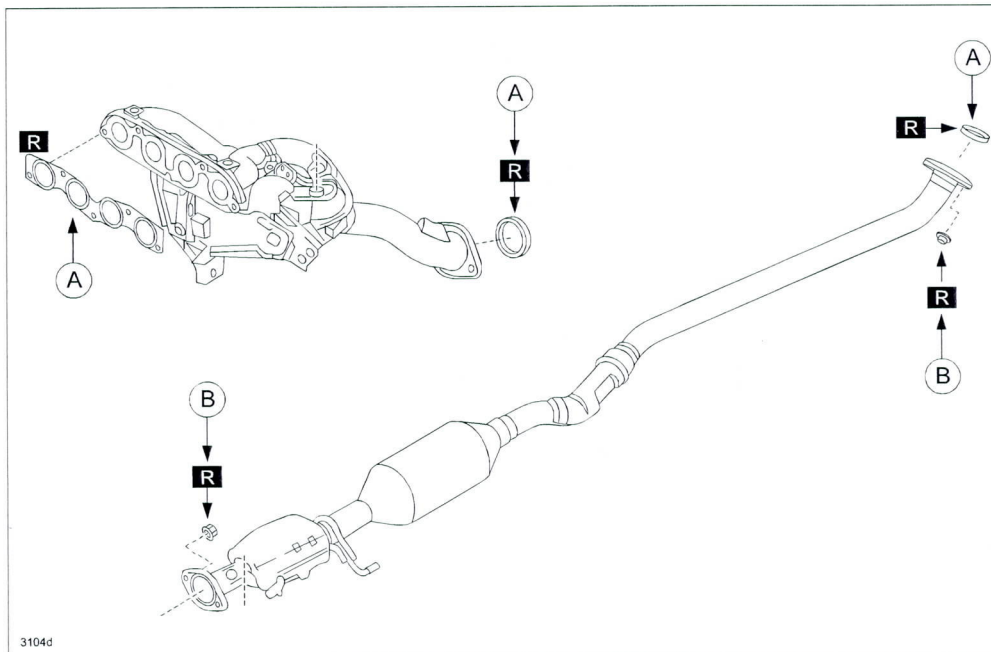
A: Clip

B: Nut



A: Gasket

B: Nut



WARRANTY INFORMATION

NOTE:

- This warranty information applies only to verified customer complaints on vehicles eligible for warranty repair.
- This repair will be covered under Mazda's Powertrain Limited Warranty.
- Additional diagnostic time cannot be claimed for this repair.
- The "before" and "after" alignment measurements must be attached to the warranty claim.

| | | |
|---|---|--|
| Warranty Type | A | |
| Symptom Code | 24 | |
| Damage Code | 9M | |
| Part Number Main Cause (Choose one part number applicable to the symptom.) | Casual Part No. | Symptom |
| | C602-17-240B (3/4 Clutch Hub) | Gear jumping out (3rd Gear) |
| | C602-17-620B (5/6 Clutch Hub) | Hard shifting (5th or 6th Gear) |
| | C602-17-26YB (3rd Synchronizer Ring) | Hard shifting (3rd or 4th Gear) |
| | C601-17-230D/C610-17-230C (3rd Gear) | Shift Lever vibration (3rd or 4th Gear) |
| Quantity | 1 | |
| Operation Number/Labor Hours NOTE: If the wheel alignment check and adjust was performed by an outside shop, claim the actual cost using the sublet code "Z9". | XXL67ARX (Primary shaft gear and/or primary shaft gear related parts, R and R) | 5.4 Hrs (2012-13 Mazda3) 5.3 Hrs (2014-16 Mazda3) 5.2 Hrs (2014-16 Mazda6) 5.5 Hrs (2013-16 CX-5 2WD) |
| | XXL67BRX (Primary shaft gear and/or primary shaft gear related parts, R and R) | 7.6 Hrs (2013-16 CX-5 4WD) |
| | A0109AAX (Front and/or rear wheel alignment - check and adjust using 4-wheel alignment machine) | 1.2 Hrs (2012-13 Mazda3) 1.1 Hrs (2014-16 Mazda3) 1.1 Hrs (2014-16 Mazda6) 1.1 Hrs (2013-16 CX-5) |
| | XXL67CRX (If 4-wheel alignment machine with wireless type is used - check and adjust using 4-wheel alignment machine) | 0.7 Hrs (All models) |