

Subject: SPECIAL SERVICE TOOL SHIPMENT - NOVEMBER 2015	Bulletin No: 00-003/15
	Last Issued: 11/20/2015

APPLICABLE MODEL(S)/VINS

2016 MX-5 (SKYACTIV M/T)

DESCRIPTION/PRICING

In support of the 2016 MX-5, Mazda will ship to all dealers one (1) new Special Service Tool (SST). The SST will be shipped automatically by Mazda's tool vendor Bosch during the month of November 2015.

The following SST is the latest addition to the Mazda Required Tool (MRT) list.

Part Number	Description	Pricing
49N1-17-107	Hex Wrench	\$132.22

BILLING INFORMATION

Tool(s) will be automatically invoiced to your dealer parts account statement. If your accounting department has any questions regarding this invoicing, please call Mazda Special Service Tools (949-442-6539).

SHIPPING INFORMATION

Tools will be shipped via UPS Ground to your service department in November 2015.

Please advise your shipping/receiving personnel of this tool shipment.

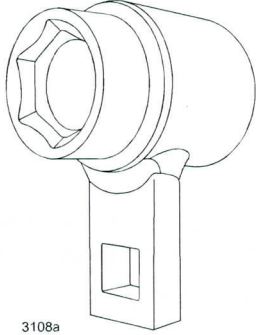
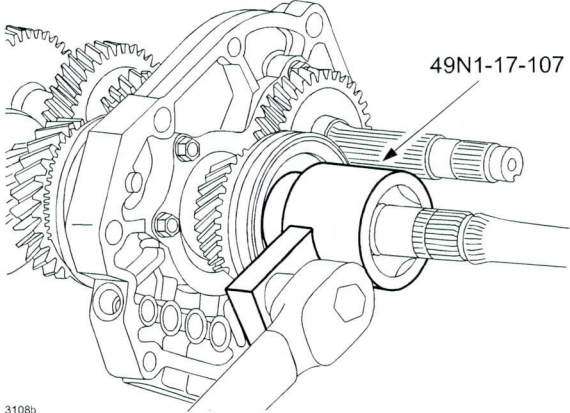
OBTAINING ADDITIONAL TOOLS

To order additional SSTs, submit orders via Mazda e-Store at <http://dealers.mazdausa.com>.

CUSTOMER SERVICE INFORMATION

For warranty or product information call Bosch Customer Service at (877) 722-8336.

SPECIAL SERVICE TOOL (SST) AND USAGE

<p>PART NUMBER / NAME: 49N1-17-107 Hex Wrench</p> <p>APPLICABLE MODELS: 2016 MX-5 (SKY-ACTIV M/T)</p> <p>USAGE: To remove/install the mainshaft locknut for manual transmissions.</p>	<p>OVERVIEW</p>  <p>3108a</p>	<p>USAGE</p> <p>Procedure in the Workshop Manual - Manual Transmission Section.</p>  <p>49N1-17-107</p> <p>3108b</p>
--	---	---