



SERVICE BULLETIN

Classification:	Reference:	Date:
EM14-008	NTB15-008	February 12, 2015

2012 VERSA SEDAN; RATTLE FROM AIR CLEANER BODY

APPLIED VEHICLES: 2012 Versa Sedan (N17)

IF YOU CONFIRM

A rattle coming from the air cleaner body (see Figure 1 on the next page).

NOTE: The customer may report that a rattle noise is coming from the engine compartment while driving, or while the engine is idling.

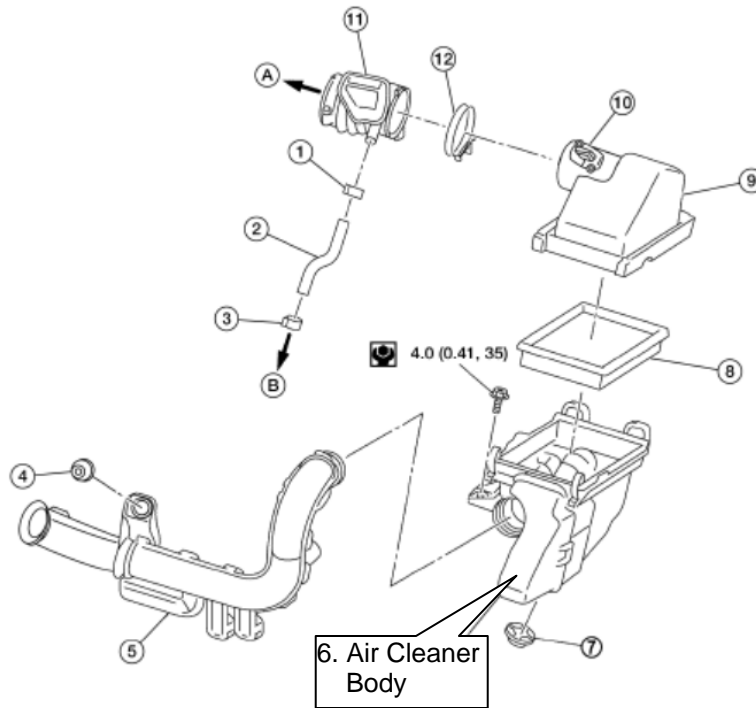
ACTION

Replace the air cleaner body with the part number listed in the Parts Information.

- Refer to the Electronic Service Manual (ESM), section EM-Engine Mechanical, for replacement information.

Nissan Bulletins are intended for use by qualified technicians, not 'do-it-yourselfers'. Qualified technicians are properly trained individuals who have the equipment, tools, safety instruction, and know-how to do a job properly and safely. NOTE: If you believe that a described condition may apply to a particular vehicle, DO NOT assume that it does. See your Nissan dealer to determine if this applies to your vehicle.

SEC. 118 • 165



- | | | |
|--|-----------------------|----------------------|
| 1. Clamp | 2. PCV hose | 3. Clamp |
| 4. Mount rubber | 5. Air duct (inlet) | 6. Air cleaner body |
| 7. Grommet | 8. Air cleaner filter | 9. Air cleaner cover |
| 10. Mass air flow sensor | 11. Air duct | 12. Clamp |
| A. To electric throttle control actuator | B. To rocker cover | |

Figure 1

PARTS INFORMATION

DESCRIPTION	P/N	QUANTITY
Air Cleaner Body	16528-9KA0A	1

CLAIMS INFORMATION

Submit a Primary Part (PP) type line claim using the following claims coding:

DESCRIPTION	PFP	OP CODE	SYM	DIA	FRT
Replace Air Cleaner Body	16528-9KA0A	DA10AA	ZE	32	(1)

(1) Reference the current Nissan Warranty Flat Rate Manual and use the indicated FRT.