

Group:	Service Manual Update
Bulletin No.:	SB-15-005
Issue Date:	1/9/2015

# SERVICE INFORMATION BULLETIN

**Subject: CORRECTION OF WORKSHOP MANUAL FOR HINO 300 SERIES  
(ADDITION OF SPEEDOMETER DRIVEN HOLE COVER)**

The following is to inform you of the above caption. This service data should be attached to the relevant pages of the workshop manuals for maintenance and to use for servicing.

**RELEVANT MODEL:**

HINO 300 Series with TRANSMISSION (MY5A) from June 2011 production

**CONTENTS:**

Addition of speedometer driven hole cover.

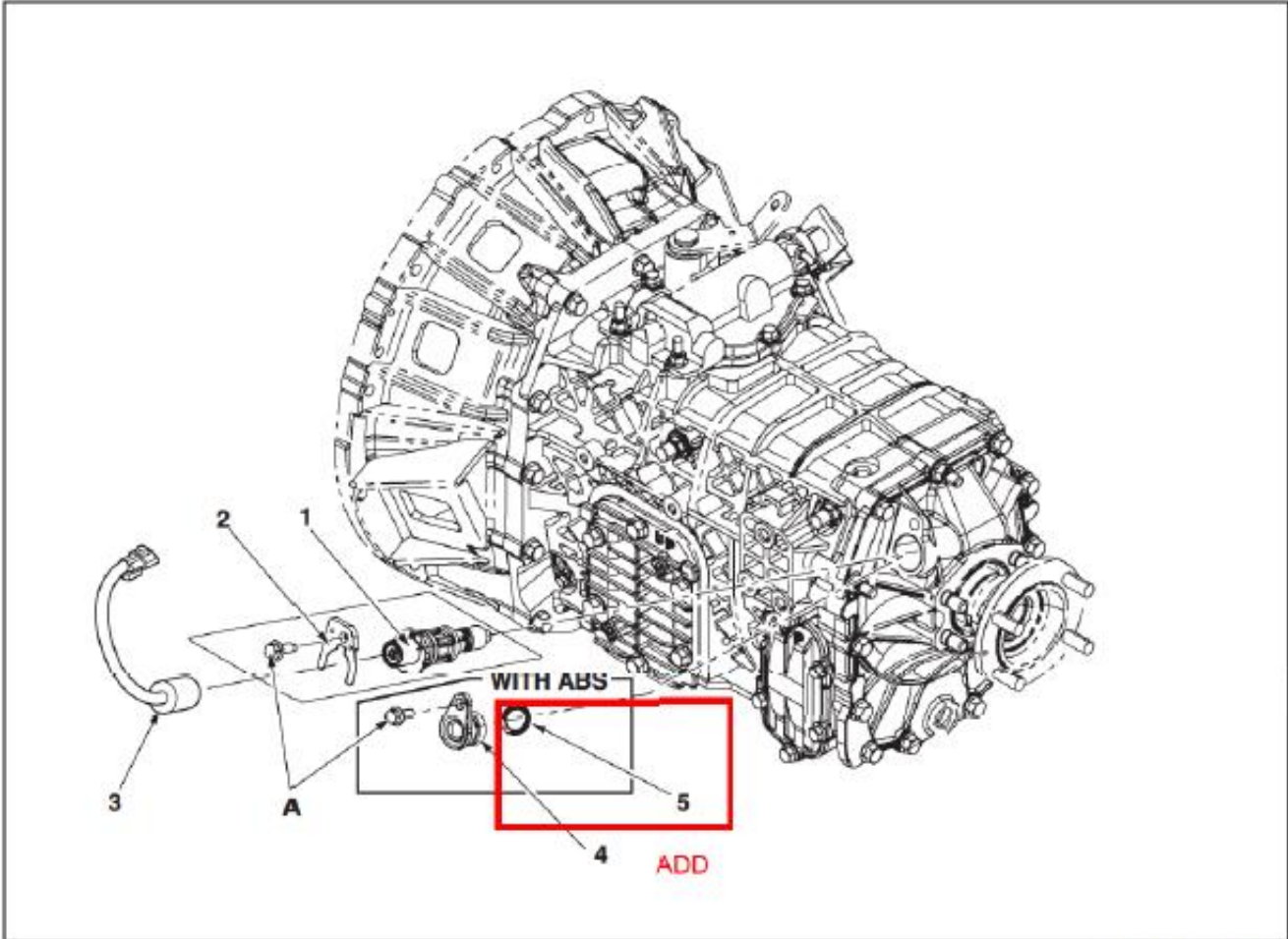
**RELEVANT MANUALS:**

LANGUAGE	MANUAL No.	CHAPTER	PAGE No.
ENGLISH	S1-LXZE05A T/M	TRANSMISSION MECHANICAL	7-4
ENGLISH	S1-LXZE05B T/M	TRANSMISSION MECHANICAL	7-23
ENGLISH	S1-LXZE05F T/M	TRANSMISSION MECHANICAL	7-23
SPANISH	S1-LXZS05A T/M	TRANSMISSION MECHANICAL	7-4
SPANISH	S1-LXZS05B T/M	TRANSMISSION MECHANICAL	7-23
FRENCH	S1-LXZF05A T/M	TRANSMISSION MECHANICAL	7-4
FRENCH	S1-LXZF05B T/M	TRANSMISSION MECHANICAL	7-23

# SERVICE INFORMATION BULLETIN

## COMPONENT LOCATOR

EN01G04243060402002001



SHTS042430600052

1	Speedometer driven gear	CHANGE	4	Speedometer driven hole cover
2	Speedometer sleeve lock plate	ADD	5	O-ring
3	Speed sensor			

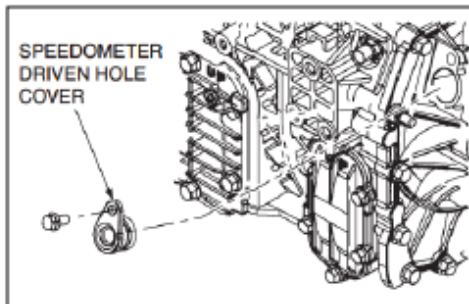
Tightening torque		Unit: N·m {kgf·cm, lbf·ft}
A	19 {194, 14}	

# SERVICE INFORMATION BULLETIN

## REMOVING THE SPEEDOMETER DRIVEN HOLE COVER

### ⚠ CAUTION

- If the transmission assembly is replaced, remove the speedometer driven hole cover from the old transmission assembly and install it to the new one.  
(When the vehicle is not equipped with a speedometer driven gear.)
- Be careful not to forget installation of the speedometer driven hole cover because it may result in oil leakage.  
Oil leakage will cause damage or seizure of the transmission assembly.



SH-TS04243060057

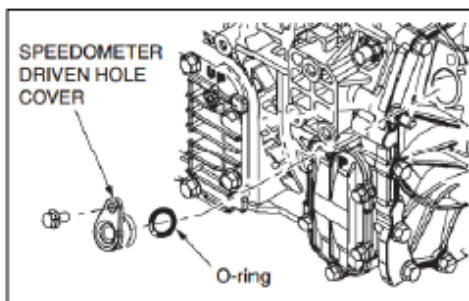
### 1. REMOVING THE SPEEDOMETER DRIVEN HOLE COVER

- (1) Remove the speedometer driven hole cover from the transmission assembly.

## INSTALLING THE SPEED METER DRIVEN HOLE COVER

### ⚠ CAUTION

- If the transmission assembly is replaced, remove the speedometer driven hole cover from the old transmission assembly and install it to the new one.  
(When the vehicle is not equipped with a speedometer driven gear.)
- Be careful not to forget installation of the speedometer driven hole cover because it may result in oil leakage.  
Oil leakage will cause damage or seizure of the transmission assembly.



SH-TS04243060058

### 1. INSTALLING THE SPEEDOMETER DRIVEN HOLE COVER

- (1) Install the speedometer driven hole cover to the transmission assembly.

**Tightening Torque:**  
19 N·m {194 kgf·cm, 14 lbf·ft}

### NOTICE

Apply engine oil (SAE 5W-30) to the O-ring, and install the cover and O-ring to the transmission case.

ADD