

# Front Wheel Opening Extension Pad Installation During PDS

**Service Category** General

**Section** Pre-Delivery Service

**Market** USA

Lexus Supports  
ASE Certification 

## Applicability

YEAR(S)	MODEL(S)	ADDITIONAL INFORMATION
2016	GS F, GS200T, GS350, GS450H	

## Introduction

The front wheel opening extension pad set (right and left front wheel opening extension pads and self-tapping screws) is placed in the luggage compartment at the assembly plant to avoid damage in transit. Install the front wheel opening extension pads to the vehicle prior to delivery to the customer.

## Warranty Information

OP CODE	DESCRIPTION	TIME	OFF	T1	T2
N/A	Not Applicable to Warranty	–	–	–	–

## Installation Procedure for GS 450h, GS 350, and GS 200t

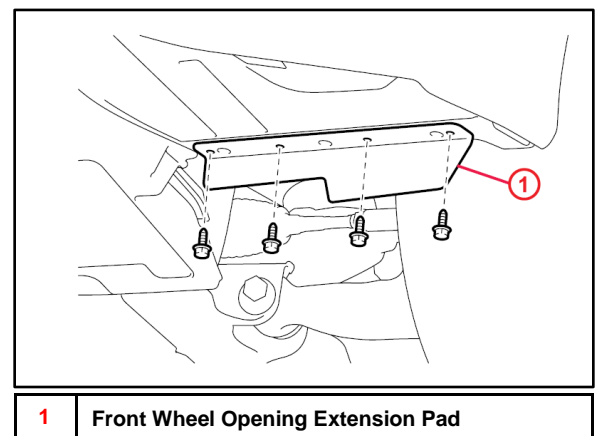
1. Install the left front wheel opening extension pad in position with 4 of the supplied self-tapping screws.

### HINT

There is a distinguishable mark on each pad indicating the left and right side pad.

2. Install the right front wheel opening extension pad in the same manner as the left.

**Figure 1.**



## Front Wheel Opening Extension Pad Installation During PDS

### Installation Procedure for GS F

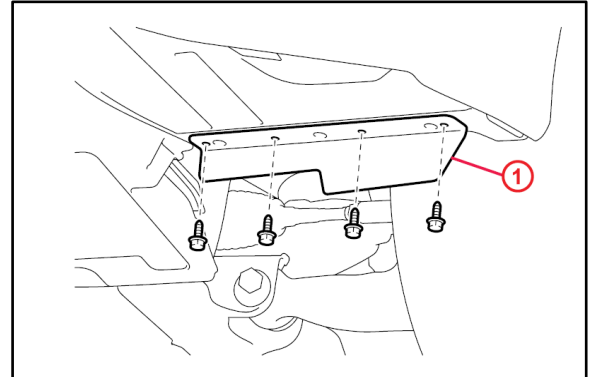
1. Install the left front wheel opening extension pad in position with 3 of the self-tapping screws.

**HINT**

There is a distinguishable mark on each pad indicating the left and right side pad.

2. Install the right front wheel opening extension pad in the same manner as the left.

**Figure 2.**



**1** Front Wheel Opening Extension Pad