



Retail Operator / General Manager	Sales – Motorcycles	Sales – Used Motorcycles	Business Manager (F&I)	Service	Parts & Accessories	Administration
Date: September 2015	Source: SI 18/2015					
Bulletin #: 23 003 15 (024)	Name: Gordon McDonnell					
	Title: Manager – Service and Technical					

BMW Motorrad USA

Service Information Bulletin

Technical Campaign

Subject: Shift Assistant

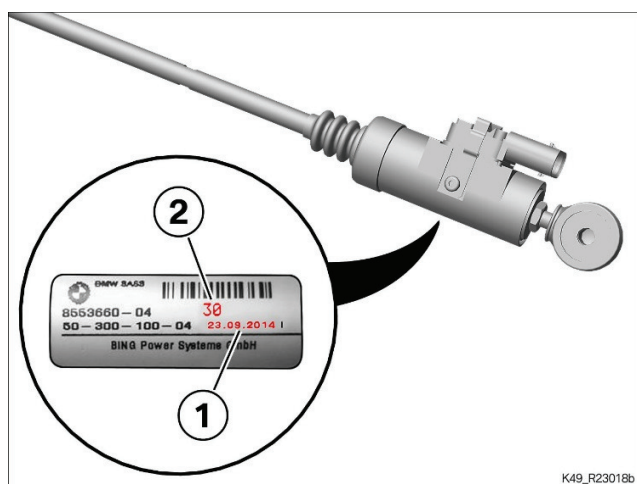
Models: S 1000 XR (K49)

Details: BMW Motorrad has ascertained that in some cases the shift assistant was unable to function correctly. This cause is incorrect vehicle-specific programming of the shift assistant by the supplier.

Vehicles Affected: In order to determine if a specific vehicle is affected by this Technical Campaign, it will be necessary to verify all vehicle VINs through a DCS Vehicle History Check. Based on the response of the system, either proceed with the repair or take no further action. Please note, affected VINs may not appear until 24-72 hours after the release of this bulletin.

Production Solution: As of June 12, 2015, production, motorcycles have the shift assistant correctly programmed.

Aftersales Solution: On the vehicles in question, the shift assistant will have to be checked and, if necessary replaced either before new motorcycles are handed over to customers or when the motorcycles are next brought in to the workshop (see attached work item 00 60 309 for details).



The shift assistant has to be replaced if both production date (1) and serial number (2) as stated on the shift assistant appear in the list below.

Production date (1)	Serial number (2)
26.05.2015	3 - 108
27.05.2015	1 - 104
28.05.2015	1 - 138
29.05.2015	1 - 125
01.06.2015	1 - 89
02.06.2015	1 - 20
03.06.2015	1 - 4

Warranty processing:**Defect code**

00 23 12 00 00	Replacing shift assistant
----------------	---------------------------

FRU number

00 60 309*	Checking and, if necessary, replacing shift assistant, 5 FRUs
------------	---

Part number

23 41 8 553 660	Shift assistant
-----------------	-----------------

*Main Work 00 60 309- this main labor operation crediting 5 FRUs includes all repair procedures to complete the task with allowance for necessary ancillary tasks (e.g. visual inspection, lubrication, cleaning parts etc.) and administrative tasks.

Only one main labor operation can be claimed per repair visit. All other labor operations for any other line(s) must be claimed using plus code labor operations.

Please refer to the Warranty Policy and Procedures Manual regarding add-ons, proper support, documentation, claims submission and archiving requirements as applicable

Contacts:

For technical inquires in relation to this bulletin	Please open a PuMA case
For warranty inquires in relation to this bulletin	Motorrad.Warranties@bmwna.com
For parts inquires in relation to this bulletin	Michael.Kagan@bmwnaext.com
Motorcycle Service and Technical Manager	Gordon.McDonnell@bmwna.com

00 60 309 Checking and, if necessary, replacing shift assistant

– with Pro shift assistant^{OE} (0222)

ATTENTION

Change to length setting of the shift assistant.

Component damage

- Do not change the length setting of the shift assistant.◇

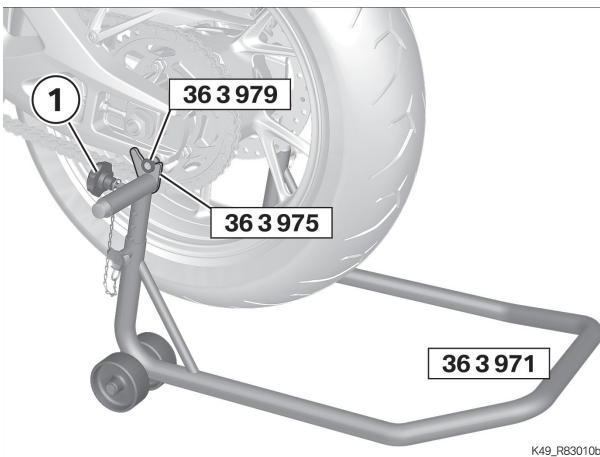
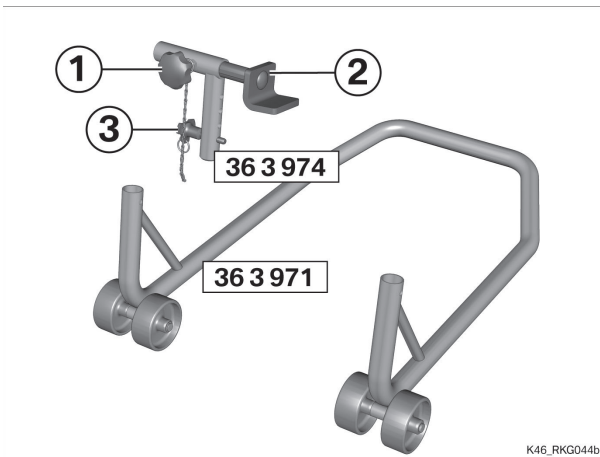
1

– without centre stand^{OE} (0636)

► **Installing rear-wheel stand**

▷ **Installing adapter in basic stand**

- Slacken knurled screw **(1)** and remove adapter **(2)** from adapter (36 3 974).
- Seat adapter (36 3 974) in basic stand (36 3 971) and secure it with retainer **(3)**.



- Mount the service adapter, rear, (36 3 979) on the rear wheel swinging arm.
- Slip mount (36 3 975) into basic stand (36 3 971), adjust to suit the width of the swinging arm and secure screw **(1)**.
- Adjust the rear-wheel stand to the correct height.
- Push the rear-wheel stand into position under the rear wheel swinging arm.

ATTENTION

Vehicle can topple sideways.

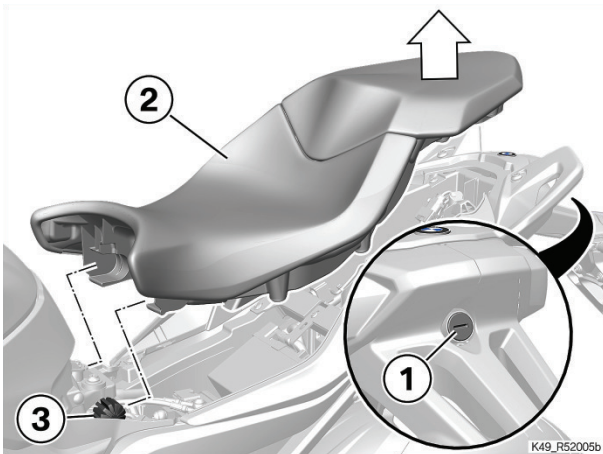
Risk of damage to parts if vehicle topples.

- Make sure that the vehicle is secured so that it cannot topple sideways.

- Hold the motorcycle upright and at the same time press the stand down until the motorcycle is level and the handle of the rear-wheel stand is on the ground.◇



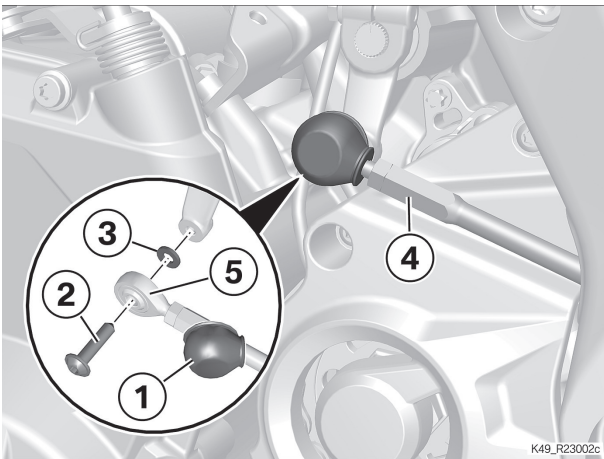
2



► Removing seat

- Use the vehicle key to unlock seat lock **(1)**, lift seat **(2)** at the rear and remove it from buffers **(3)**.

3



► Removing shift assistant

- Push protective cap **(1)** to one side.
- Remove screw **(2)** and remove washer **(3)**.
- Disengage gearshift rod **(4)**.
- Lubricate protective cap **(1)** and seat it on ball head **(5)**.

NOTICE

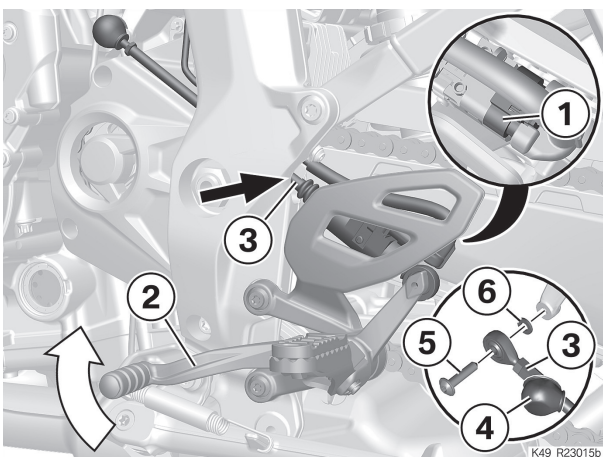
The use of silicone spray can facilitate the work of removing the selector rod from and installing it in the frame.



Installation tool

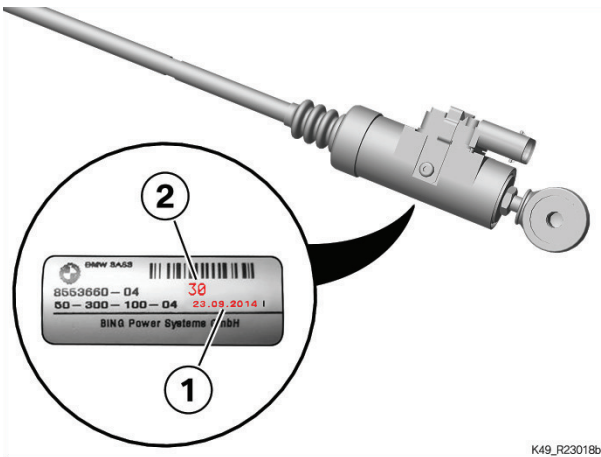
Silicone spray

83 19 2 208 609



- Disconnect connector **(1)** for the shift assistant.
- Move gearshift lever **(2)** up.
 - » Threaded fastener of shift assistant **(3)** is accessible.
- Push protective cap **(4)** to one side.
- Remove screw **(5)** and remove washer **(6)**.
- Remove shift assistant **(3)** from the frame aperture (**ar-**row).

4



K49_R23018b

► Checking serial number for shift assistant

Check

- Check production date **(1)** and production serial number **(2)**.
- List of affected shift assistants with production date **(1)** and production serial number **(2)**.

- 26.05.2015: 3-108
- 27.05.2015: 1-104
- 28.05.2015: 1-138
- 29.05.2015: 1-125
- 01.06.2015: 1-89
- 02.06.2015: 1-20
- 03.06.2015: 1-4

Result

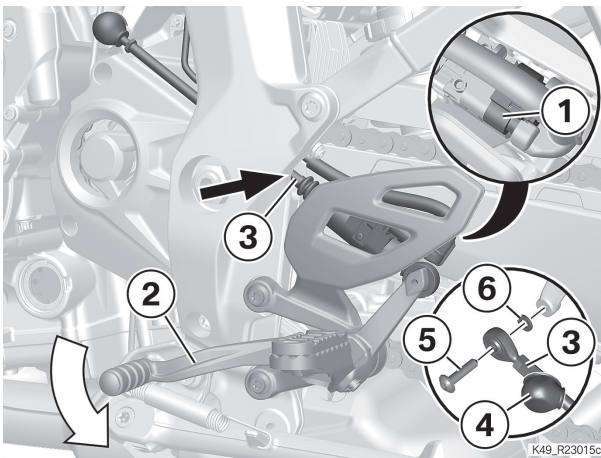
Production date and production serial number match the list of affected shift assistants.

Measure

- Renew the shift assistant.



5



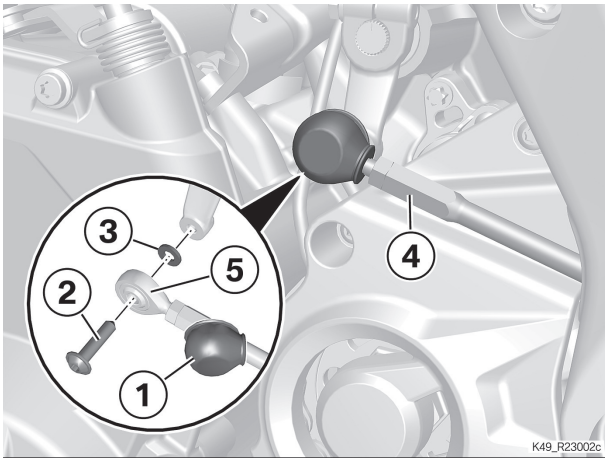
K49_R23015c

► Installing shift assistant

- Clean the threads.
- Introduce shift assistant **(3)** into the frame aperture **(arrow)**.
- Hold washer **(6)** with shift assistant **(2)** in position at gearshift lever **(2)**.
- Install screw **(5)**.

🔧 Tightening torques		
Selector rod to gearbox/gearshift lever		
M6 x 20	8 Nm	
Thread-locking compound (Micro-encapsulated)		
or, Thread-locking compound (Loctite 243, Medium strength)		

- Install protective cap **(4)**.
- Move gearshift lever **(2)** down.
- Connect connector **(1)** for the shift assistant.



- Clean the threads.
- Disengage protective cap (1) from ball head (5).
- Hold washer (3) with gearshift rod (4) in position.
- Install screw (2).

🔧 Tightening torques		
Selector rod to gearbox/gearshift lever		
M6 x 20 Thread-locking compound (Micro-encapsulated) or, Thread-locking compound (Loctite 243, Medium strength)	8 Nm	

- Install protective cap (1).

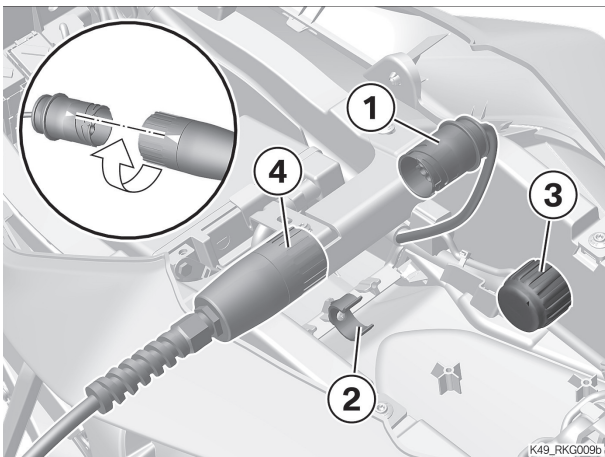
6

▶ **Connecting BMW Motorrad diagnostic system to vehicle**

- Connect the BMW Motorrad battery charger.

NOTICE

When carrying out diagnosis and programming, use a battery charger with 30 A approved by BMW Motorrad that ensures an **on-board system voltage of 13 V**.



- Disengage diagnosis plug (1) from holder (2) and remove protective cap (3).
- Connect diagnosis plug (1) to connecting cable (4) for the diagnostic system.

NOTICE

See the information about the BMW Motorrad diagnostic system for all further instructions.

7

▶ **Perform the vehicle test with BMW Motorrad diagnostic system, read out fault memory and reset adaptation values**

NOTICE

When working with the BMW Motorrad diagnostic system, always follow the instructions it issues.

- Perform the vehicle test and read out the fault memory.

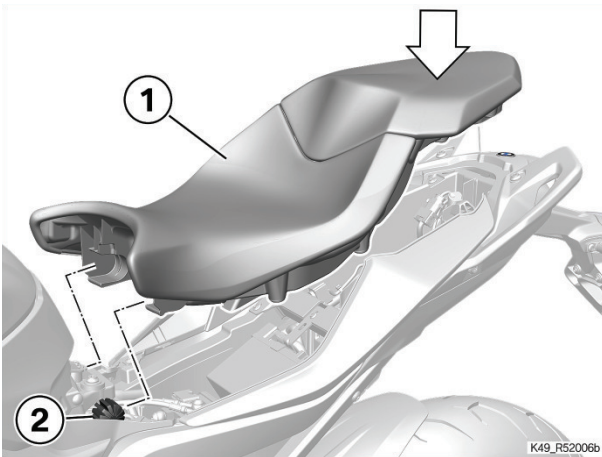
- Perform all requisite repair work.
- Reset the adaptation values.
- » This is the only way of ensuring correct operation of the vehicle.

8

► Disconnecting BMW Motorrad diagnostic system from vehicle

- Close all diagnostic programs and switch off the ignition.
- Disconnect the BMW Motorrad diagnostic system from the motorcycle and screw the cap onto the diagnosis plug.
- Disconnect the BMW Motorrad battery charger from the vehicle.

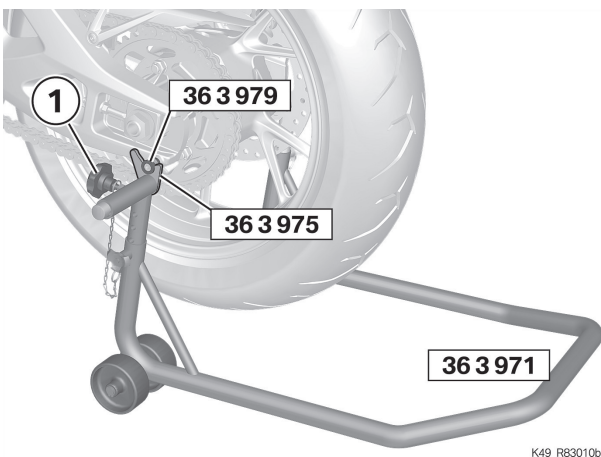
9



► Installing seat

- Engage seat (1) in buffers (2) and install.
- » Seat (1) engages with an audible click.

10



– without centre stand^{OE} (0636)

► Removing rear-wheel stand

- Extend the side stand.
- Secure the motorcycle to ensure that it cannot topple and slowly lower the rear-wheel stand, then remove basic stand (36 3 971) and adapter (36 3 975).
- Place the motorcycle on its side stand.
- Remove rear service adapter (36 3 979) from the rear wheel swinging arm.◊

► **Final check of work performed**

- Check that
 - the work as performed achieved the intended purpose.
 - all reservoirs and containers have been filled and that all fluids and lubricants are at their correct levels.
 - all threaded fasteners released beforehand have been correctly retightened.
 - the fuel system is free of leaks.
 - the lights and signalling equipment are fully operational and that the motorcycle is roadworthy.
 - the brake pads of the front and rear brakes are bedded against the brake discs.

▷ **Function test, engine start suppression**

Check

- Move the kill switch to the operating position (ON).
- Select neutral.
 - » Neutral telltale light "N" lights up.
- Select a gear.
 - » Neutral telltale light "N" goes out.
- Press the starter button.
 - » Starter does **not** operate.
- Extend the side stand.
 - » Starter does **not** operate.
- Pull the clutch lever.
 - » Starter does **not** operate.
- Press the starter button.
 - » Starter does **not** operate.
- Retract the side stand.
 - » Starter operates.
- Press the starter button without releasing the clutch lever.
 - » Starter operates.

Result

Not all test steps completed successfully.

Measure

- Check the appropriate parts with the BMW Motorrad diagnostic system.◇

