



**NUMBER:** 05-007-15

**GROUP:** Brakes

**DATE:** July 25, 2015

*This bulletin is supplied as technical information only and is not an authorization for repair. No part of this publication may be reproduced, stored in a retrieval system, or transmitted, in any form or by any means, electronic, mechanical, photocopying, or otherwise, without written permission of FCA US LLC.*

**SUBJECT:**

Front Brake Squeak/Squeal Noise

**OVERVIEW:**

This bulletin involves cleaning excessive sealant from the front brake caliper adaptor brackets and replacing the adaptor bracket mounting bolts.

**MODELS:**

2015 (BU) Jeep Renegade

**NOTE: This bulletin applies to vehicles within the following markets/countries:  
EMEA**

**NOTE: This bulletin applies to vehicles built on or before February 25, 2015 (MDH 0225XX).**

**SYMPTOM/CONDITION:**

The customer may describe a front brake squeak/squeal noise during moderate brake apply combined with light steering. The noise typically occurs with warm brakes after several brake applications.

**DIAGNOSIS:**

If the customer describes the symptom, perform the Repair Procedure.

**PARTS REQUIRED:**

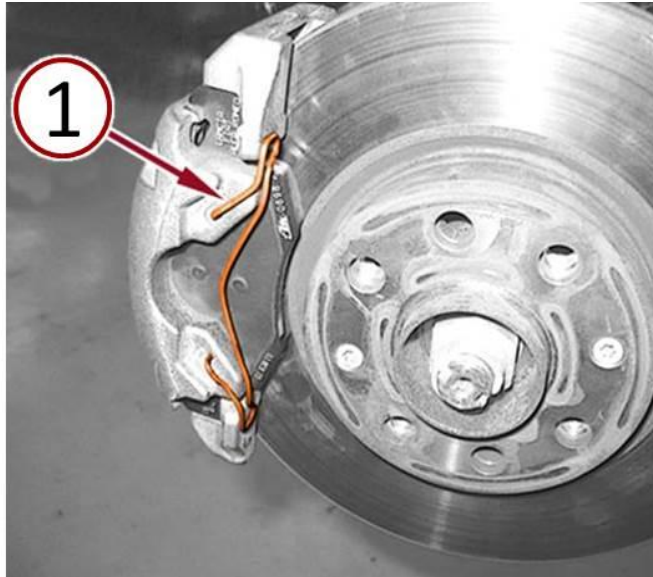
Qty.	Part No.	Description
1	52032197	BOLT, Hex Flange Head, M14X1.50X30.00 (Package Contains 4 Bolts)

**REPAIR PROCEDURE:**

1. Lift and support the vehicle. Refer to the detailed service procedures available in DealerCONNECT> TechCONNECT under: Service Info> 04 - Vehicle Quick Reference> Hoisting> Standard Procedure.
2. Remove the front wheels. Refer to the detailed service procedures available in DealerCONNECT> TechCONNECT under: Service Info> 22 - Tires and Wheels> Removal and Installation.

**NOTE: Perform this procedure on both right and left side of the vehicle.**

3. Remove the brake caliper retainer spring (1) (Fig. 1).

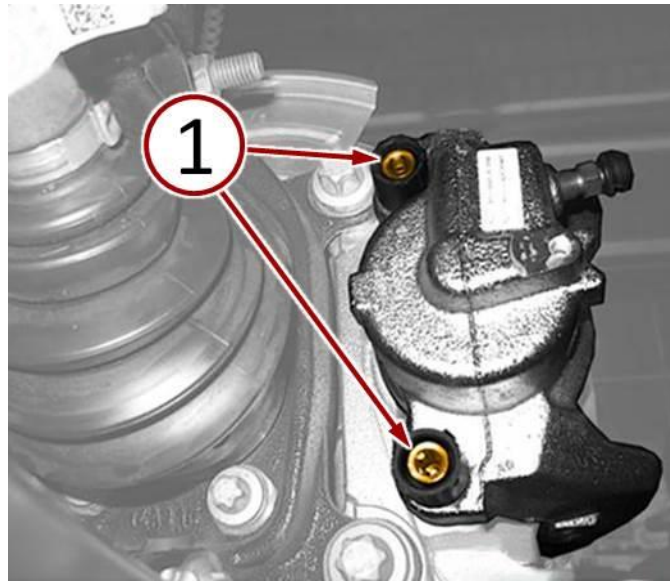


***Fig. 1 Remove Brake Caliper Retainer Spring***

1 - Brake Caliper Retainer Spring

---

4. Remove the dust caps from the brake caliper guide pin mounting bolts.
5. Loosen the brake caliper mounting guide pin bolts (1) (Fig. 2).



***Fig. 2 Loosen Brake Caliper Guide Pin Bolts***

1 - Guide Pin Bolts

---

**CAUTION: Support the brake caliper to prevent brake hose damage. Do NOT allow the brake caliper to hang from the brake hose.**

6. Remove the brake caliper from the brake caliper adaptor and support the brake caliper in order to prevent damage to the brake hose (Fig. 3).

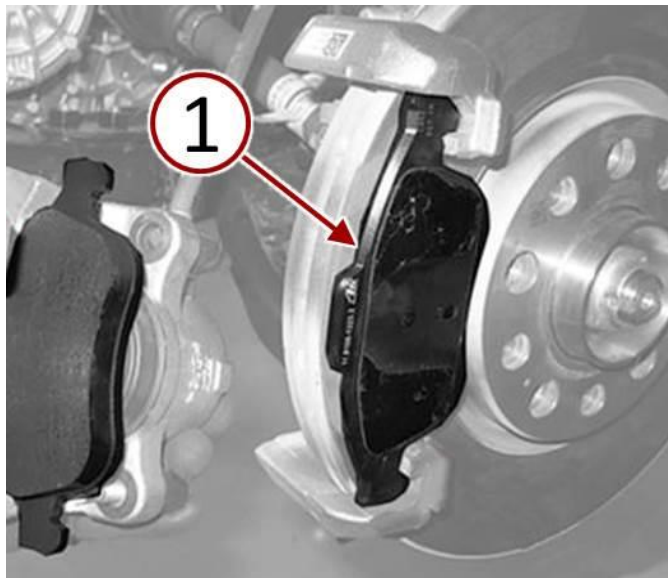


**Fig. 3 Remove And Support Brake Caliper**

1 - Brake Caliper

---

7. Remove the outer brake pad (1) from the brake caliper adaptor and set the brake pad aside for reuse (Fig. 4).

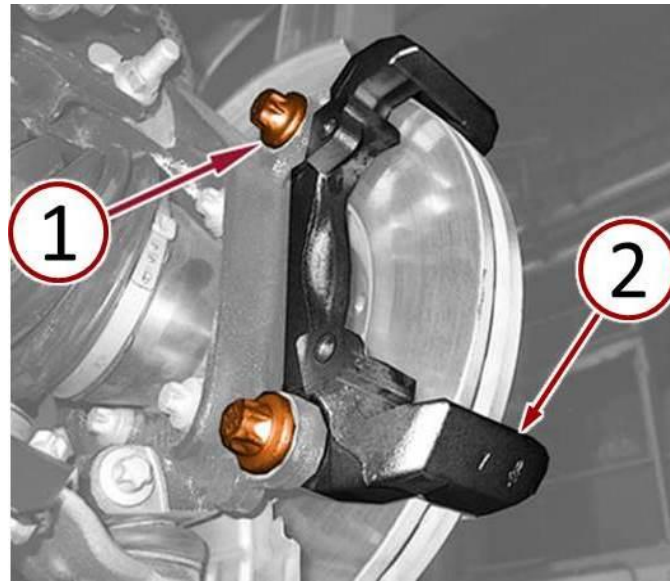


**Fig. 4 Remove Outboard Brake Pad**

1 - Outboard Brake Pad

---

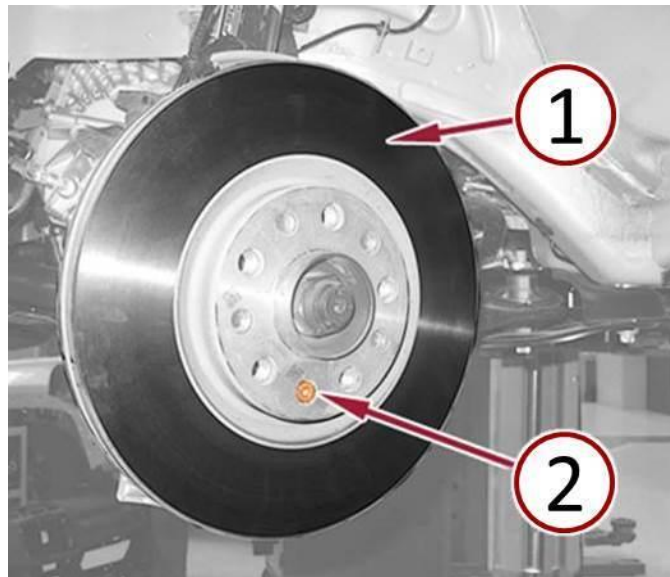
8. Remove the brake caliper adaptor to front steering knuckle bolts (1) (Fig. 5).
9. Remove the brake caliper adaptor bracket (2) (Fig. 5).



**Fig. 5 Remove Brake Caliper Adaptor Bracket**

- 1 - Brake Caliper Adaptor Bolts
- 2 - Brake Caliper Adaptor Bracket

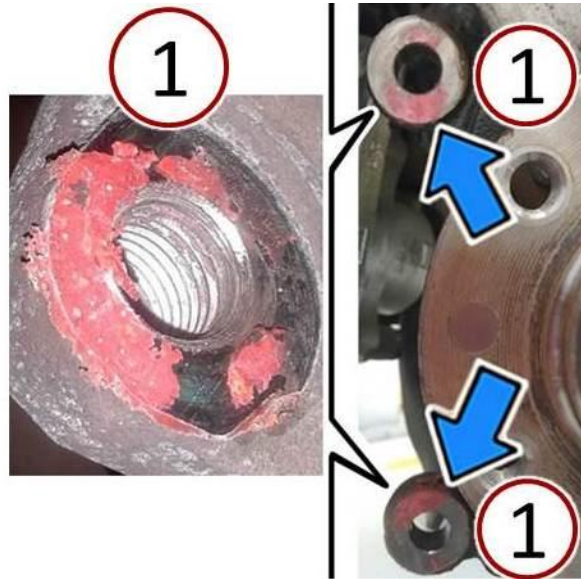
- 
- 10. Remove the brake rotor retaining bolt (2) (Fig. 6).
  - 11. Remove the brake rotor (1) (Fig. 6).



**Fig. 6 Remove Brake Rotor**

- 1 - Brake Rotor
  - 2 - Brake Rotor Retaining Bolt
-

12. Clean all the sealant (1) from the contact surfaces between the brake calliper adaptor bracket and the steering knuckle (Fig. 7).

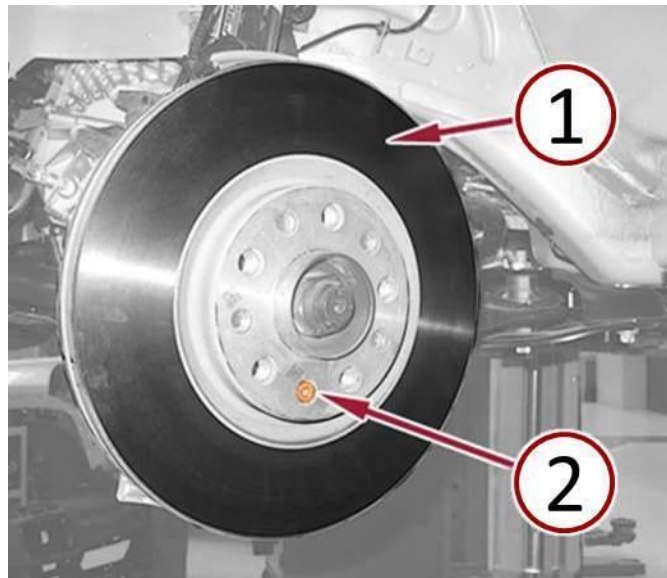


**Fig. 7 Clean Off Excess Sealant**

1 - Excess Sealant

---

13. Install the brake rotor (1) (Fig. 8).  
14. Install the brake rotor retaining bolt (2) and tighten to 7 N·m (61 In. Lbs.) (Fig. 8).



**Fig. 8 Install Brake Rotor**

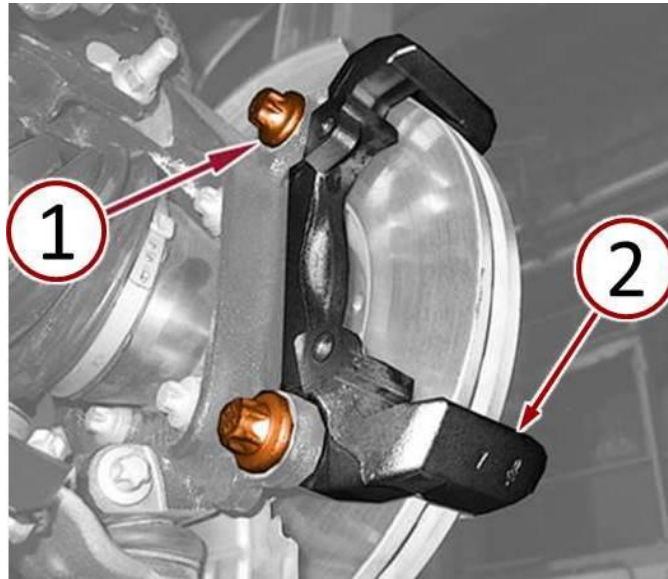
1 - Brake Rotor

2 - Brake Rotor Retaining Bolt

---



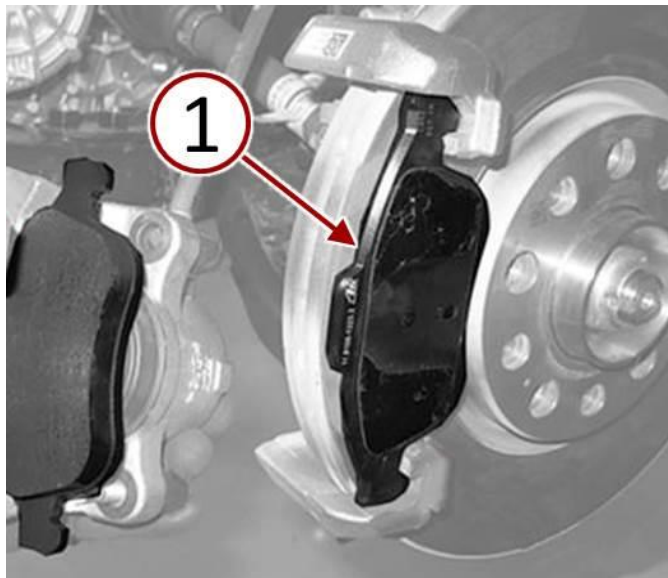
15. Install the brake caliper adaptor bracket (2) (Fig. 9).
16. Install the NEW brake caliper adaptor bolts (1) and tighten to 165 N·m (122 Ft. Lbs.) (Fig. 9).



**Fig. 9 Install Brake Caliper Adaptor Bracket**

- 1 - Brake Caliper Adaptor Bolts
- 2 - Brake Caliper Adaptor Bracket

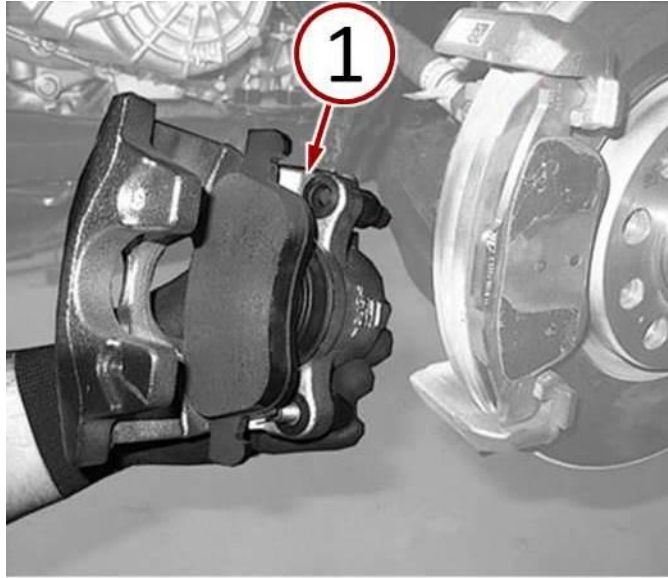
- 
17. Position the outer brake pad (1) onto brake caliper adaptor as shown in (Fig. 10).



**Fig. 10 Install Outboard Brake Pad**

- 1 - Outboard Brake Pad
-

18. Position the brake caliper onto the brake caliper adaptor (Fig. 11).



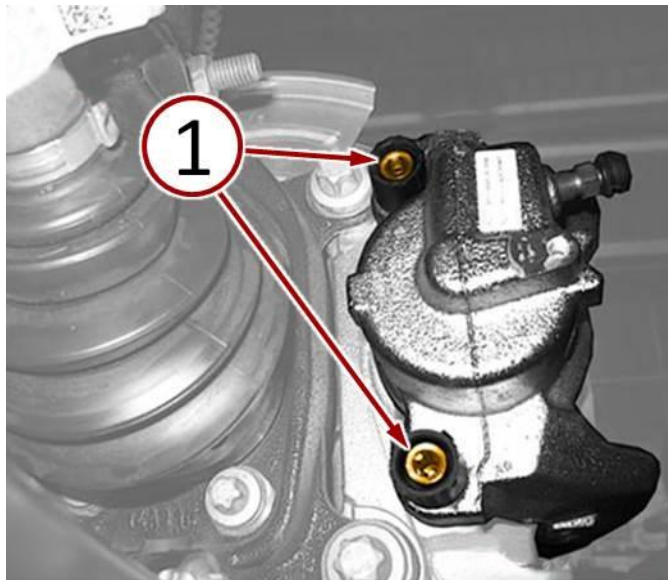
**Fig. 11 Install Brake Caliper With Inboard Brake Pad**

1 - Brake Caliper

---

19. Install the brake caliper mounting guide pin bolts (1) and tighten to 35 N·m (26 Ft. Lbs.) (Fig. 12).

20. Install the dust caps to the brake caliper mounting guide pin bolts.



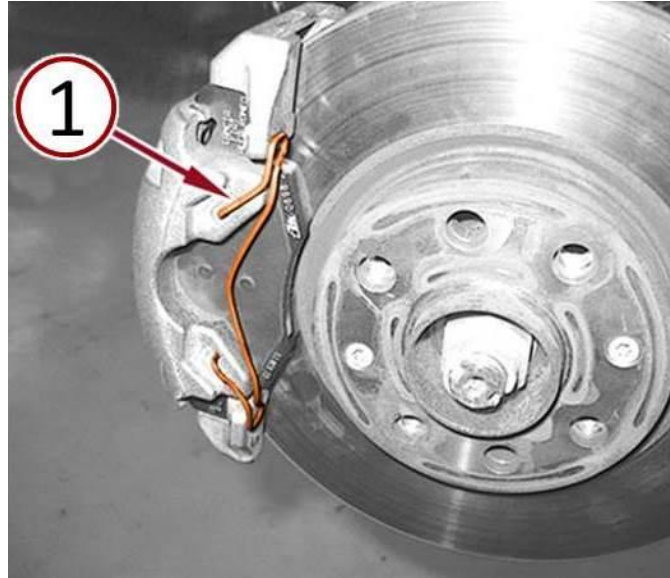
**Fig. 12 Tighten Brake Caliper Guide Pin Bolts**

1 - Brake Caliper Mounting Guide Pin Bolts

---



21. Install the brake caliper retainer spring (1) (Fig. 13).



**Fig. 13 Install Brake Caliper Retainer Spring**

1 - Brake Caliper Retainer Spring

- 
22. Install the front wheels. Refer to the detailed service procedures available in DealerCONNECT> TechCONNECT under: Service Info> 22 - Tires and Wheels> Removal and Installation.
  23. Lower the vehicle.
  24. Pump the brake pedal several times until caliper pistons and brake pads are seated and a firm brake pedal is obtained before moving the vehicle.
  25. Check and adjust the brake fluid level in the reservoir as necessary.
  26. Road test the vehicle and make several moderate brake applies combined with light steering to verify that the customer's concern has been eliminated and to seat the brake pads to the rotors.

**POLICY:**

Reimbursable within the provisions of the warranty.

**TIME ALLOWANCE:**

<b>Labor Operation No:</b>	<b>Description</b>	<b>Skill Category</b>	<b>Amount</b>
05-85-05-9B	Adaptor, Caliper - Remove Sealant from Mounting Contact Surfaces (2 - Skilled)	4 - Chassis Systems	0.9 Hrs.

**FAILURE CODE:**

ZZ	Service Action
----	----------------