



Service Bulletin

INFORMATION

Subject: Information on Ordering New Delphi Style Fuel Pump

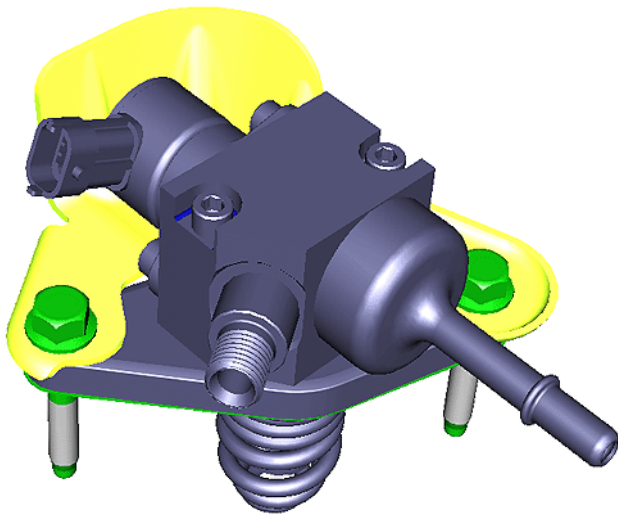
Brand:	Model:	Model Year:		VIN:		Engine:	Transmission:
		from	to	from	to		
Chevrolet	Silverado	2016	2017			5.3L Engine (RPOs L83, L8B)	8 Speed Transmission (RPOs M5U, M5X)
GMC	Sierra						

Involved Region or Country	North America and N.A. Export Regions
-----------------------------------	---------------------------------------

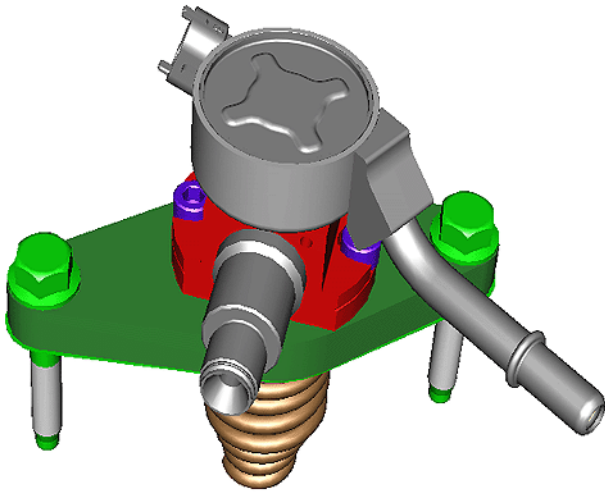
The purpose of this Bulletin is to inform dealership personnel that when replacing the fuel pump, the vehicle should be serviced with the same style high pressure fuel pipe and SIDI fuel pump it was equipped with for the following reasons:

- DTC P00C6 may set during cold starts.
- DTCs P228C and P228D may be set during other extreme hot or cold driving.

Note: A note will be added in the Parts Catalog to ensure that the technician orders and replaces the fuel pump with the correct part number and style.



Stanadyne style fuel pump part number 12669519 and fuel pipe part number 12673077 as shown above.



Delphi style fuel pump part number 12673522 and fuel pipe part number 12673079 as shown above.

Version	2
Modified	June 28, 2016 – Adding 2017 Model Year and including Engine RPO L8B and Transmission RPO M5X.

GM bulletins are intended for use by professional technicians, NOT a "do-it-yourselfer". They are written to inform these technicians of conditions that may occur on some vehicles, or to provide information that could assist in the proper service of a vehicle. Properly trained technicians have the equipment, tools, safety instructions, and know-how to do a job properly and safely. If a condition is described, DO NOT assume that the bulletin applies to your vehicle, or that your vehicle will have that condition. See your GM dealer for information on whether your vehicle may benefit from the information.



WE SUPPORT VOLUNTARY TECHNICIAN CERTIFICATION