

# Front Wheel Opening Extension Pad Installation During PDS

**Service Category** General

**Section** Pre-Delivery Service

**Market** USA

Lexus Supports  
ASE Certification 

## Applicability

YEAR(S)	MODEL(S)	ADDITIONAL INFORMATION
2016	IS200T, IS300, IS350	

## Introduction

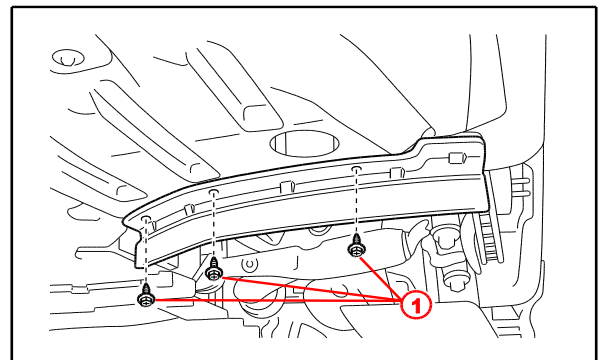
The front wheel opening extension pad set (right and left front wheel opening extension pads, 6 self-tapping screws) is loaded in the luggage compartment at the assembly plant to avoid damage in transit. Install the front wheel opening extension pads to the vehicle during Pre-Delivery Service (PDS).

## Warranty Information

OP CODE	DESCRIPTION	TIME	OFP	T1	T2
N/A	Not Applicable to Warranty	—	—	—	—

## Installation Procedure

1. Install the right and left front wheel opening extension pads with the 6 self-tapping screws.



**1** Self-tapping Screw