

Subject

3 Piece Piston Ring Set - Installation Instructions

Market

USA

Service Category

Engine/Hybrid System

Section

Lubrication

Applicability

2AZ-FE and 2AZ-FXE Equipped Models

APPLICABLE VEHICLES

2007-2009	Camry	2006-2008	RAV4
2009-2013	Matrix	2007-2008	Solara
2009-2011	Corolla	2007-2011	Camry HV

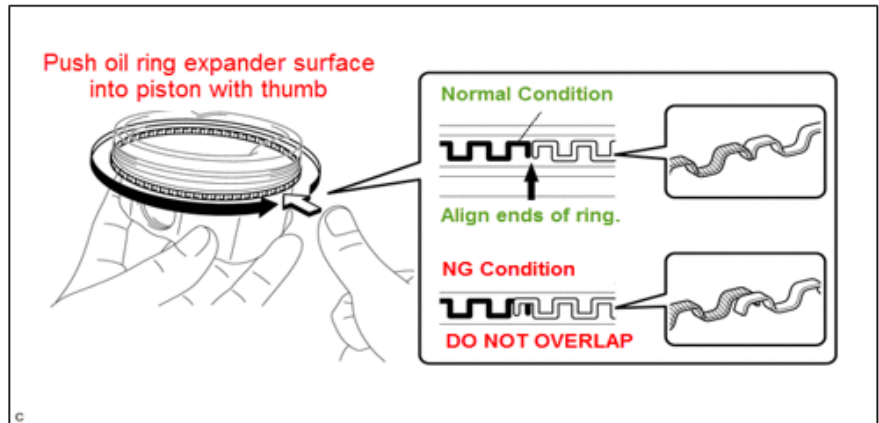
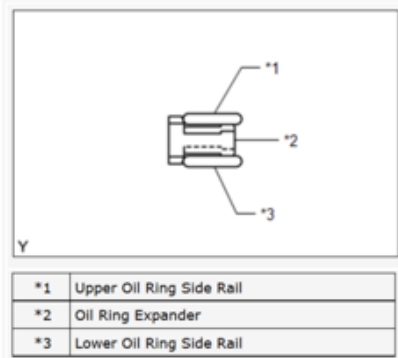
CONDITION

- There has been some concern with 3 Piece Piston Ring installations for 2AZ-FE and 2AZ-FXE engines.
- This Tech Tip contains the accepted installation method required for Toyota vehicles.

RECOMMENDATIONS

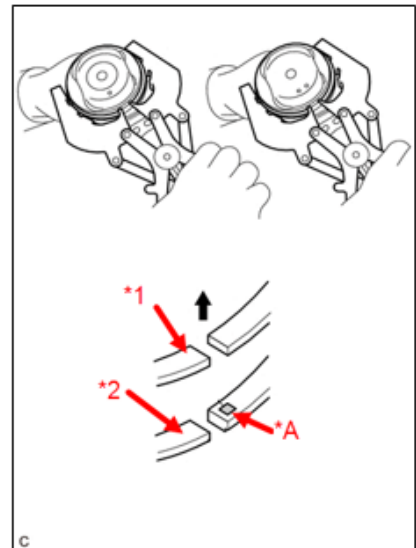
Install Piston Ring Set

1.) Install the oil ring expander and oil ring upper and lower side rails by hand.



2.) Using a piston ring expander, install the No. 1 compression ring and No. 2 compression ring with the code mark positioned as shown in the illustration.

*A	Code Mark
*1	No. 1 Compression Ring
*2	No. 2 Compression Ring
➡	Upward



NOTE: Install the No. 2 compression ring with the code mark facing upward.

Subject

3 Piece Piston Ring Set - Installation Instructions

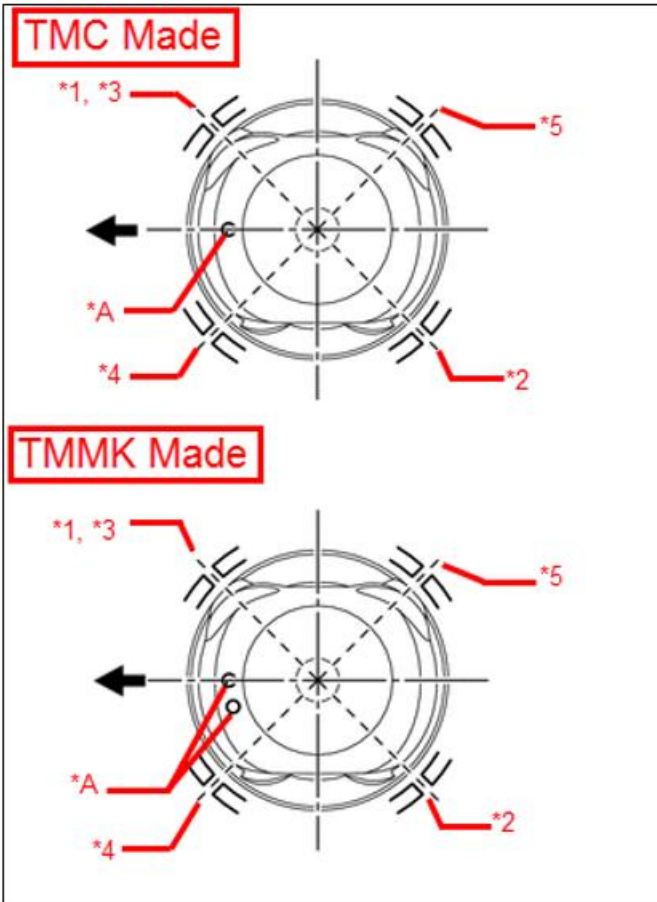
Market

USA

Applicability

RECOMMENDATIONS

3.) Position the pistons rings so that the ends are as shown in the illustration.



*A	Front Mark
*1	No. 1 Compression Ring
*2	No. 2 Compression Ring
*3	Oil Ring Expander
*4	Upperside Rail - Oil Control Ring
*5	Lowerside Rail - Oil Control Ring
➡	Front Side

LINK REFERENCES

This Tech Tip does not contain any link references