

Subject

4Runner Back Door (Rear Hatch) Outside Garnish Removal

Market

USA

Service Category

Vehicle Exterior

Section

Door/Hatch

Applicability

2015-2016 4Runner

APPLICABLE VEHICLES

2015-2016

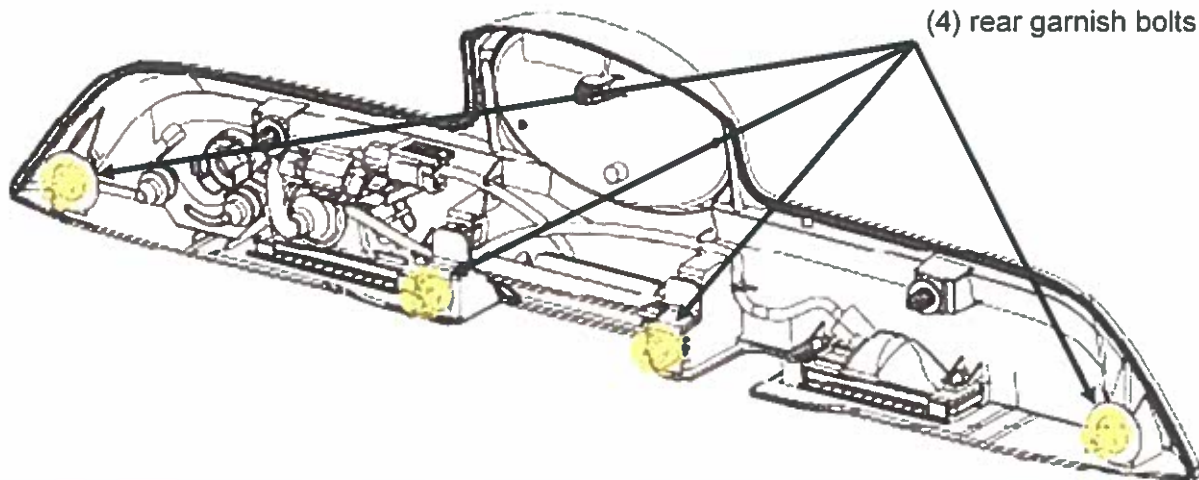
4Runner

CONDITION

4Runners produced starting in mid-June 2015 (both key cylinder and smart key type) have an adhesive applied to threads of back door outside garnish nuts on the rear hatch to prevent loosening over time. Attempting to remove the back door outside garnish nut(s) without preventing the bolt(s) from turning can result in damage to the back door outside garnish.

RECOMMENDATIONS

Utilize Vise-grips or the like to hold the bolt(s) in place while removing the nut(s) until the adhesive on the nut/bolt threads breaks loose and turns freely. Reference below images.





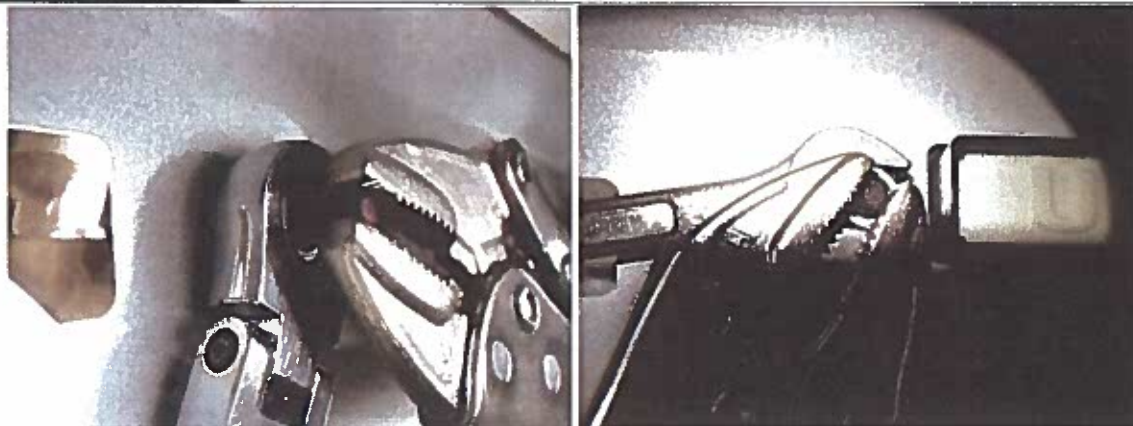
Subject

4Runner Back Door (Rear Hatch) Outside Garnish Removal

Market
USA

Applicability

RECOMMENDATIONS



LINK REFERENCES

1. [EXTERIOR PANELS / TRIM: BACK DOOR OUTSIDE GARNISH: COMPONENTS; 2015 MY 4Runner \[08/2014 - ???????\]](#)
2. [EXTERIOR PANELS / TRIM: BACK DOOR OUTSIDE GARNISH: REMOVAL; 2015 MY 4Runner \[08/2014 - ???????\]](#)
3. [EXTERIOR PANELS / TRIM: BACK DOOR OUTSIDE GARNISH: DISASSEMBLY; 2015 MY 4Runner \[08/2014 - ???????\]](#)
4. [EXTERIOR PANELS / TRIM: BACK DOOR OUTSIDE GARNISH: REASSEMBLY; 2015 MY 4Runner \[08/2014 - ???????\]](#)
5. [EXTERIOR PANELS / TRIM: BACK DOOR OUTSIDE GARNISH: INSTALLATION; 2015 MY 4Runner \[08/2014 - ???????\]](#)