

8/24/15

Subject

Market
USA

Hard Start or Poor Idle After 12 Volt Power Interruption

Service Category

Engine/Hybrid System

Section

Engine Control

Applicability

Models with Electronic Throttle Control

APPLICABLE VEHICLES

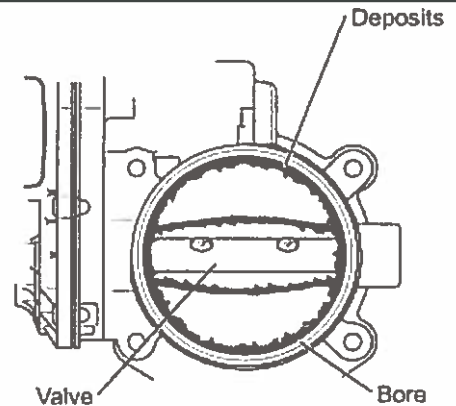
2002-2012	Camry	2007-2012	FJ Cruiser
2004-2012	Highlander	2001-2012	Prius
2000-2012	Tundra	2004-2012	Sienna
2005-2012	Matrix	2012	Prius V
1998-2012	Land Cruiser	2001-2012	4Runner
2001-2012	Sequoia	2005-2012	Avalon
2004-2012	RAV4	2009-2012	Venza
2001-2005	MR2 Spyder	2010	Prius PHV
2003-2005	Celica	2007-2012	Yaris
2003-2012	Tacoma	2002-2008, 2010	Solara
2012	Prius C	2006-2012	Highlander HV
2007-2012	Camry HV	2005-2012	Corolla

CONDITION

- The vehicle may be difficult to start or have an abnormally low or rough idle after the battery has been disconnected or power to the Engine ECM has been interrupted.

RECOMMENDATIONS

- Inspect the throttle body for excessive deposits.
- Clean deposits using a rag that has been sprayed with Throttle Plate Cleaner.
- Once the cleaning is complete, allow the engine to idle for at least 3 minutes after reaching full operating temperature.



Do not directly apply cleaner

NOTICE

Do not spray cleaning chemicals directly into the throttle body. The solution can carry contamination through the throttle shaft and damage the throttle motor or position sensor

