

2016 PRE-DELIVERY SERVICE CHECK SHEET

August 2015

BEFORE INSPECTION	OK	Adjust Repair
1 Install D/C Cut Fuse	<input type="checkbox"/>	<input type="checkbox"/>
FUNCTIONAL OPERATION		
<i>Apply parking brake and cycle ignition "IG-ON"; place gear selector in reverse, turn on lights and rear defogger. Unlock all doors, release fuel door, release trunk hatch.</i>		
1 Check dome, courtesy, map, and sun visor lights*	<input type="checkbox"/>	<input type="checkbox"/>
2 Check warning/indicator lights, gauges, and horn.....	<input type="checkbox"/>	<input type="checkbox"/>
3 Check windshield wipers and washers.....	<input type="checkbox"/>	<input type="checkbox"/>
4 Check headlights, instrument lights, turn signals, emergency flashers, and brake lights	<input type="checkbox"/>	<input type="checkbox"/>
5 Check inside/outside rear view mirror operation/adjustment.....	<input type="checkbox"/>	<input type="checkbox"/>
6 Check power outlets and cigarette lighter*.....	<input type="checkbox"/>	<input type="checkbox"/>
7 Check audio/navigation*/backup camera* systems and set clock.....	<input type="checkbox"/>	<input type="checkbox"/>
8 Install shift-lock override button cover*	<input type="checkbox"/>	<input type="checkbox"/>
9 Check sliding roof*	<input type="checkbox"/>	<input type="checkbox"/>
WALKAROUND INSPECTION		
<i>Starting at the left front door, check window and door lock operation. Continue around the vehicle in a counterclockwise direction checking each door and window operation, child door locks, seat belts, interior condition, all lights, and luggage compartment contents. Finish by checking headlight aim and continue into UNDER HOOD checks.</i>		
1 Check door and door lock operation, including each wireless remote control/theft deterrent system*	<input type="checkbox"/>	<input type="checkbox"/>
2 Check power window operation.....	<input type="checkbox"/>	<input type="checkbox"/>
3 Check that fuel cell system starts with all keys	<input type="checkbox"/>	<input type="checkbox"/>
4 Check seats and seat belt operation.....	<input type="checkbox"/>	<input type="checkbox"/>
5 Check rear defogger/outside rear view mirror defoggers*.....	<input type="checkbox"/>	<input type="checkbox"/>
6 Check side marker, tail, backup, and license plate lights	<input type="checkbox"/>	<input type="checkbox"/>
7 Check rear hatch/cargo area trim appearance.....	<input type="checkbox"/>	<input type="checkbox"/>
8 Check jack, tool, and emergency tire puncture repair kit installation.....	<input type="checkbox"/>	<input type="checkbox"/>
9 Check headlight aim.....	<input type="checkbox"/>	<input type="checkbox"/>
UNDER HOOD		
1 Check brake fluid level.....	<input type="checkbox"/>	<input type="checkbox"/>
2 Check fuel cell coolant level	<input type="checkbox"/>	<input type="checkbox"/>
3 Check inverter coolant level.....	<input type="checkbox"/>	<input type="checkbox"/>
4 Check windshield washer fluid level.....	<input type="checkbox"/>	<input type="checkbox"/>
5 Check battery state-of-charge using Digital Battery System Analyzer (SOC Reading: _____%)	<input type="checkbox"/>	<input type="checkbox"/>
6 Inspect for fuel, coolant, and other leaks.....	<input type="checkbox"/>	<input type="checkbox"/>
BATTERY MAINTENANCE		
1 Perform HV battery check and maintenance.....	<input type="checkbox"/>	<input type="checkbox"/>
* Inspect or install when equipped/required.		

UNDER VEHICLE (ON HOIST)	OK	Adjust Repair
1 Remove disk brake anti-rust covers/anti-corrosion wheel film*.....	<input type="checkbox"/>	<input type="checkbox"/>
2 Inspect tires for defects/damage	<input type="checkbox"/>	<input type="checkbox"/>
3 Tire Pressure Warning System (TPWS) confirmation (See page 2)	<input type="checkbox"/>	<input type="checkbox"/>
4 Install wheel covers/caps*.....	<input type="checkbox"/>	<input type="checkbox"/>
5 Install rubber body plugs (stored in glove box or center console)*.....	<input type="checkbox"/>	<input type="checkbox"/>
6 Check HV transaxle fluid level	<input type="checkbox"/>	<input type="checkbox"/>
7 Inspect for fuel, oil, coolant, and other fluid leaks	<input type="checkbox"/>	<input type="checkbox"/>
8 Visually check bolts and nuts on chassis and powertrain for looseness.....	<input type="checkbox"/>	<input type="checkbox"/>
9 Inspect under the vehicle for damage, rust, etc	<input type="checkbox"/>	<input type="checkbox"/>
10 Install front wheel opening extension pads (See Page 2)	<input type="checkbox"/>	<input type="checkbox"/>
ROAD TEST		
<i>A complete road test helps assure customer satisfaction. Drive vehicle over a variety of road surfaces and driving conditions. Check for unusual noise and driving performance.</i>		
Enter Odometer Readings		
Reading Before Test: _____ Reading After Test: _____		
1 Check cold fuel cell stack operation	<input type="checkbox"/>	<input type="checkbox"/>
2 Check fuel cell stack operation during warm-up	<input type="checkbox"/>	<input type="checkbox"/>
3 Check fuel cell stack at normal operating temperature	<input type="checkbox"/>	<input type="checkbox"/>
4 Check HV transaxle operation.....	<input type="checkbox"/>	<input type="checkbox"/>
5 Check brake and parking brake operation	<input type="checkbox"/>	<input type="checkbox"/>
6 Check steering operation and off-center/vehicle pull/flutter	<input type="checkbox"/>	<input type="checkbox"/>
7 Inspect for abnormal noise and vibration	<input type="checkbox"/>	<input type="checkbox"/>
8 Inspect for squeaks and rattles	<input type="checkbox"/>	<input type="checkbox"/>
9 Check Blind Spot Monitor System*	<input type="checkbox"/>	<input type="checkbox"/>
10 Check heater and A/C operation.....	<input type="checkbox"/>	<input type="checkbox"/>
11 Check speedometer operation.....	<input type="checkbox"/>	<input type="checkbox"/>
12 Check seat heater/ventilation* operation	<input type="checkbox"/>	<input type="checkbox"/>
13 Check driver's seat memory operation*	<input type="checkbox"/>	<input type="checkbox"/>
14 Check cruise control operation	<input type="checkbox"/>	<input type="checkbox"/>
FINAL INSPECTION AND CLEANING		
1 Remove interior protective covers, unnecessary labels, tags, etc. (Remove just before delivery to customer)	<input type="checkbox"/>	<input type="checkbox"/>
2 Verify floor mat application and install using retaining clips*.....	<input type="checkbox"/>	<input type="checkbox"/>
3 Visually inspect all interior parts for installation, damage, fit, dirt, etc.....	<input type="checkbox"/>	<input type="checkbox"/>
4 Verify green light is illuminated on SOS (Safety Connect) button*.....	<input type="checkbox"/>	<input type="checkbox"/>
5 Remove Rappgard™ and clear protective bumper film*.....	<input type="checkbox"/>	<input type="checkbox"/>
6 Wash and clean vehicle.....	<input type="checkbox"/>	<input type="checkbox"/>
7 Inspect paint finish for scratches, chips, rust, dents, damage, etc.....	<input type="checkbox"/>	<input type="checkbox"/>
8 Inspect exterior body parts for proper installation, damage, rust, etc.....	<input type="checkbox"/>	<input type="checkbox"/>
9 Place Owner's Guide and first aid kit portfolio* in glove box	<input type="checkbox"/>	<input type="checkbox"/>
10 Place service reminder sticker on inside of windshield, top left corner.....	<input type="checkbox"/>	<input type="checkbox"/>
11 Install front license plate and mounting bracket* (Page 2)	<input type="checkbox"/>	<input type="checkbox"/>
12 Perform Techstream Health Check.....	<input type="checkbox"/>	<input type="checkbox"/>

Completion and retention of this form is required to comply with Toyota's Warranty Policy.

 TECHNICIAN'S SIGNATURE

 SERVICE MANAGER'S SIGNATURE

 NAME (PLEASE PRINT)

 NAME (PLEASE PRINT)

We hereby certify that all items on this form have been checked and corrected for proper operation as required.

Date

Dealer Name

Dealer Code

Vehicle Identification Number (Sticker)

TIRE PRESSURE WARNING SYSTEM (TPWS) CONFIRMATION

1. Make sure that the tires are cold and set the tire inflation pressure of all tires to the specified values.

HINT

The specified values are shown on the driver's side door jamb.

2. Connect Techstream to the DLC3.
3. Cycle ignition to "IG-ON" and turn Techstream on.
4. Enter the following menus: Chassis/Tire Pressure Monitor/Data List.
5. Confirm that the tire pressure data of all tires is displayed on the Techstream screen.

HINT

- The order in which the data is received is random.
- It may take up to a few minutes until the values are displayed.
- If the values are not displayed after a few minutes, perform troubleshooting according to the inspection procedure for DTCs C2121/21 to C2124/24. Refer to the Repair Manual.

6. Remove the ID number labels from each wheel (if present) and discard.

NOTE

To adjust the tire pressure correctly when the outside temperature is significantly colder than shop temperature, perform a Health Check using Techstream and select the "Compensation Tire Pressure" checkbox. Compensation pressures will be displayed on the Health Check results screen. Adjust the tire pressure when the tires are cold.

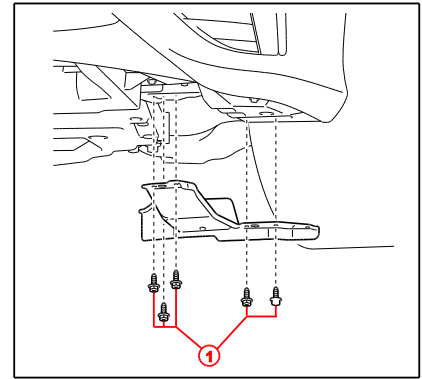
FRONT WHEEL OPENING EXTENSION PAD INSTALLATION

The front wheel opening extension pad set (right and left front wheel opening extension pads and 10 tapping screws) is loaded in the luggage compartment at the assembly plant to avoid damage in transit.

1. Place the left front wheel opening extension pad on the installation position and temporarily tighten the 5 tapping screws. Then tighten the 5 tapping screws.
2. Finish tightening the 5 tapping screws.
3. Repeat steps 1 and 2 for the right side.

NOTE

There is a mark on each pad to designate left and right side.



1. Tapping Screws

FRONT LICENSE PLATE & MOUNTING BRACKET INSTALLATION*

The front license plate mounting bracket and 2 self-tapping screws are loaded in the vehicle at assembly plant.

1. Align holes "A" of the front license plate mounting bracket with the dimples on the front bumper cover.

HINT

- Holes "A" are used for installation of the mounting bracket to the bumper cover.
- Holes "B" are used for installation of the front license plate to the mounting bracket.

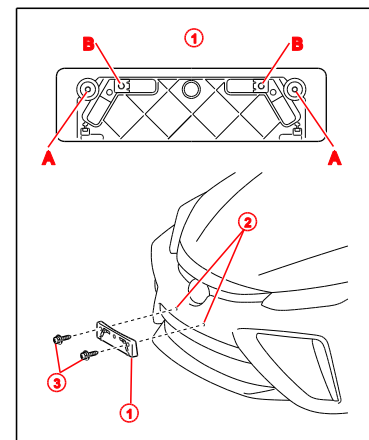
2. Install the front license plate mounting bracket to the front bumper cover at holes "A" using the 2 self-tapping screws.

NOTICE

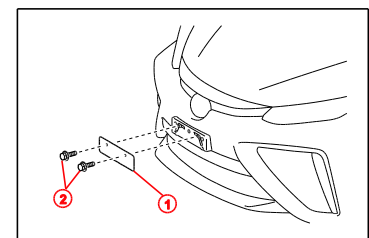
- Do NOT pre-drill holes into the bumper.
- Do NOT overtighten the self-tapping screws.

3. Install the front license plate to the mounting bracket at holes "B" using 2 non-corroding type bolts with the following measurements:

Length: 15.0 mm (0.59 in.)
Diameter: 6.0 mm (0.24 in.)
Pitch: 1.0 mm (0.04 in.)



1 Tapping Screws
2 Dimples
3 Screw



1 License Plate Bolts
2 License Plate Bolts