

# PREVOST

## WARRANTY BULLETIN


**WB15-39**

DATE :	OCTOBER 2015	SECTION :	18 - BODY
EXPIRATION:	OCTOBER 2017		
SUBJECT :	H3 VIP Entrance Door Improvement		

### APPLICATION

**NOTICE TO SERVICE CENTERS**

Verify vehicle eligibility by checking warranty bulletin status with **SAP** or via **ONLINE WARRANTY SYSTEM** available on Service / Warranty tab of Prevost website.

Model	VIN
H3-45 VIP motorhomes Model Year : 2015 - 2016	 From 2PCVS3498 <u>FC712929</u> up to 2PCVS3490 <u>GC713077</u> incl. And Vehicles 2PCVS3494 <u>GC713092</u> and 2PCV33492 <u>GC713105</u>
This bulletin does not necessarily apply to all the above-mentioned vehicles, some vehicles may have been modified before delivery. The owners of the vehicles affected by this bulletin will be advised by a letter indicating the Vehicle Identification Number (VIN) of each vehicle concerned.	

### DESCRIPTION

On the vehicles affected by this bulletin, the entrance door locking mechanism may occasionally fail to function properly and stay in the locked position, hindering the door opening.

To prevent this situation, a new improved mechanism will be installed free of charge along with a reinforced actuating rod.

### MATERIAL

Order Kit # **WB15-39** that includes the following parts:

Part No.	Description	Qty
2801051	Unlatch Mech. Vertical Actuating Rod	1
2801053	Unlatch Mechanism Assembly	1

<p><b>NOTE</b></p> <p>Material can be obtained through regular channels.</p>
--

**PROCEDURE**

**⚠ DANGER**

Park vehicle safely, apply parking brake, stop engine. Prior to working on the vehicle, set the ignition switch to the OFF position and trip the main circuit breakers equipped with a trip button. On the Commuter type vehicles, set the battery master switch (master cut-out) to the OFF position.

- 1. Remove the door interior trim panel (This operation will vary from vehicle to vehicles depending on their configuration).
- 2. Locate the door locking mechanism and the five actuating rods connected to it (see Fig.1 and 2 below).

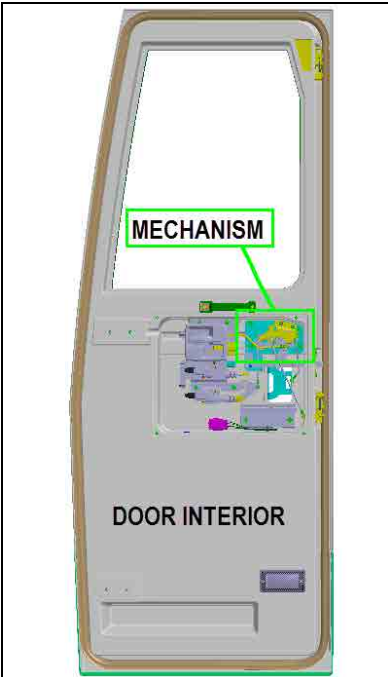


Fig.1

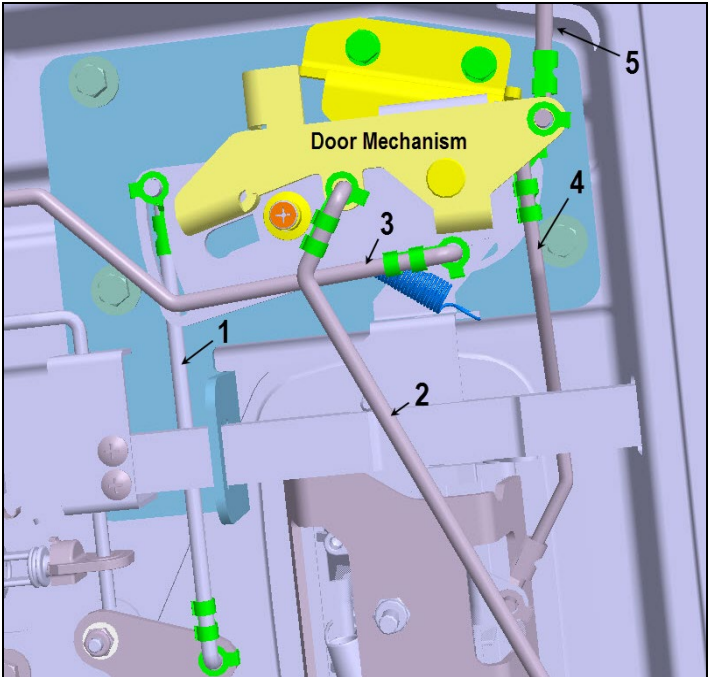



Fig.2

- 3. Disconnect rods # 2, 3, 4 and 5 identified above at the *door mechanism* end of the rods.


**NOTE**

The actuating rods retaining clips are left and right handed, It is recommended to “clip” them back on the rod until reinstallation to avoid mixing them.

Removing clip:



Rod and clip reinstallation (insert clip first):



4. Remove and discard the vertical actuating rod (# 1) and *reinstall the two clips* on the new vertical rod included in kit WB15-39.
5. Disconnect the mechanism return spring (Fig.3).

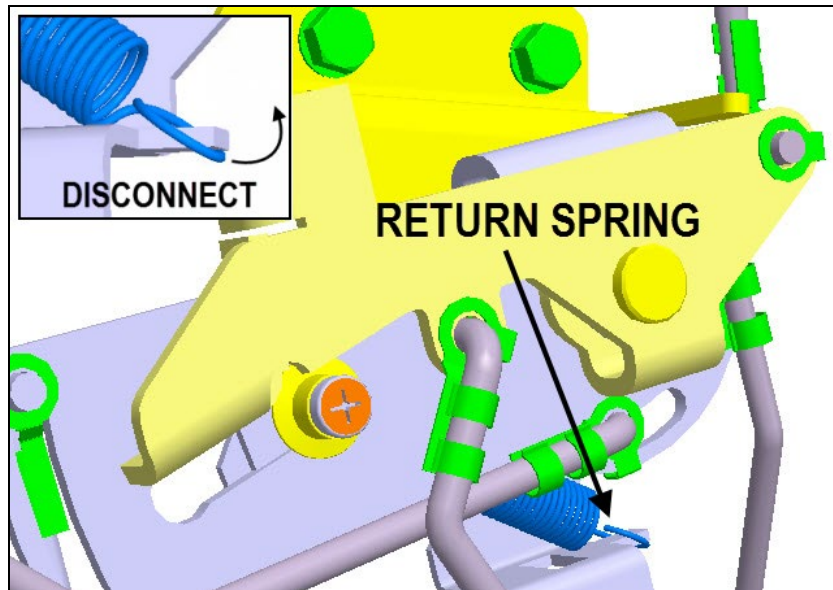


Fig.3

6. *Partially* unscrew (about half way) the two mechanisms retaining hex screws (Fig.4).

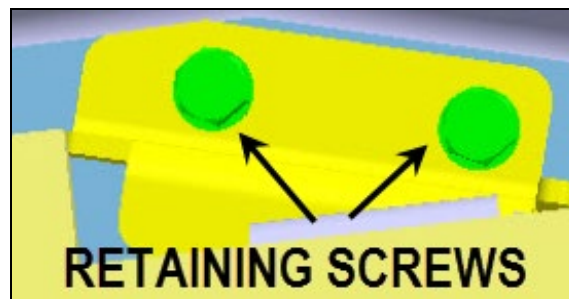


Fig.4

7. Unscrew the mechanism pivot screw (Phillips head shown on Fig.5), use an open end key or other suitable tool to hold the pivot backing nut (Fig.6).

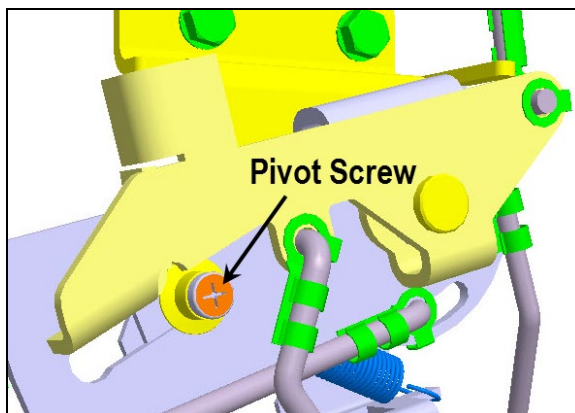


Fig.5

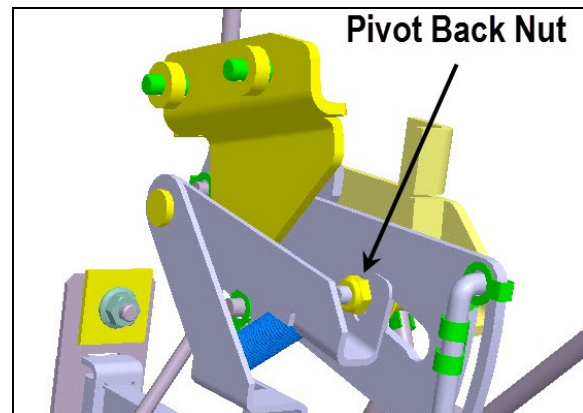


Fig.6

- Remove the two retaining bolts still holding the mechanism and remove it from the vehicle.
- Install the new mechanism on the vehicle door by first hand tightening the two retaining screws (Fig.7).

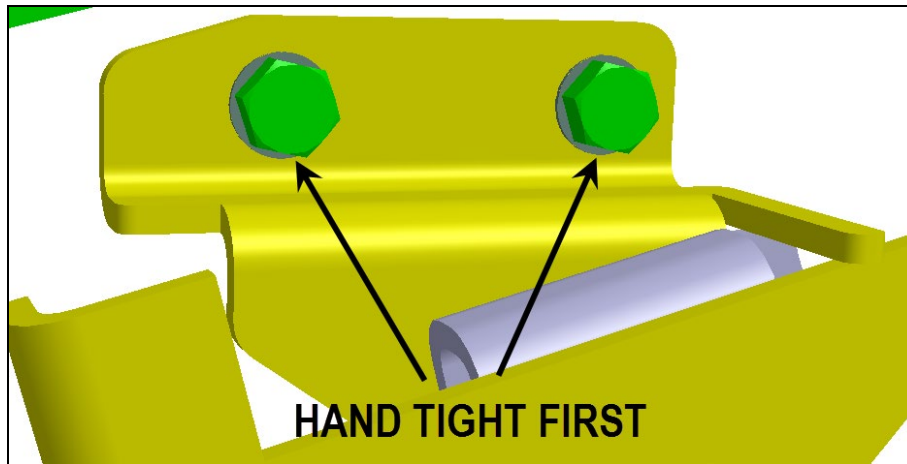


Fig.7

- Tighten the pivot screw Fig.8 (with spacer and backing nut Fig.9).

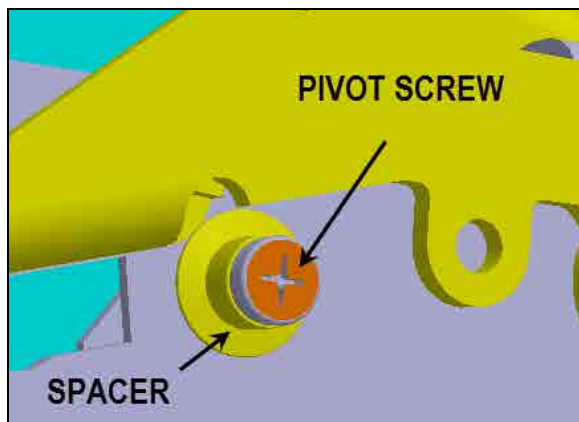


Fig.8

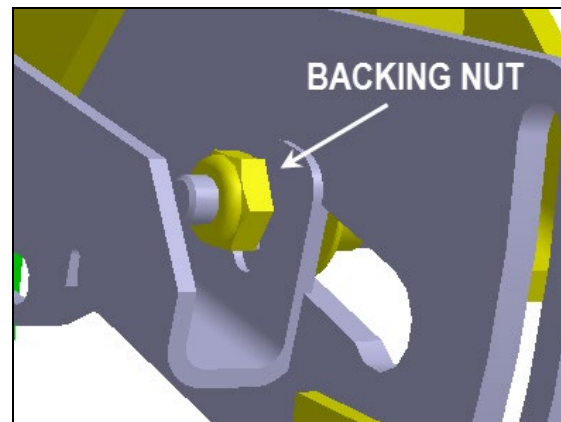


Fig.9

- Reinstall both ends of the return spring (Fig.10 and 11) *and tighten the two retaining screws.*

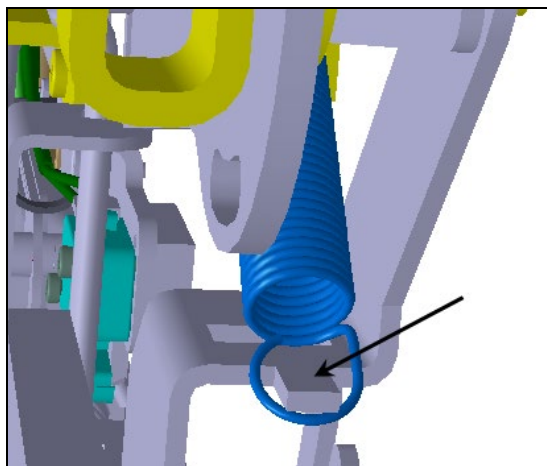


Fig.10

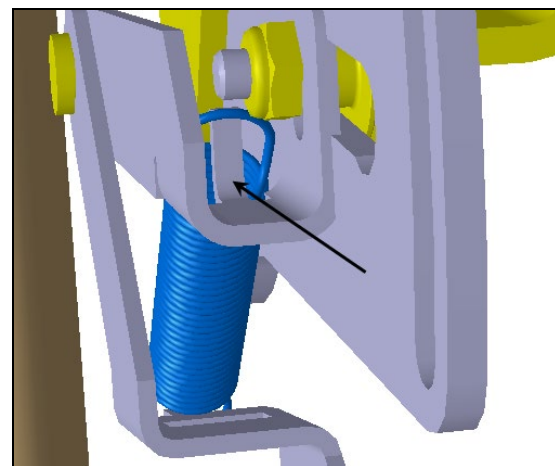


Fig.11

12. Install the new vertical actuating rod previously fitted with retaining clips (Fig.12)

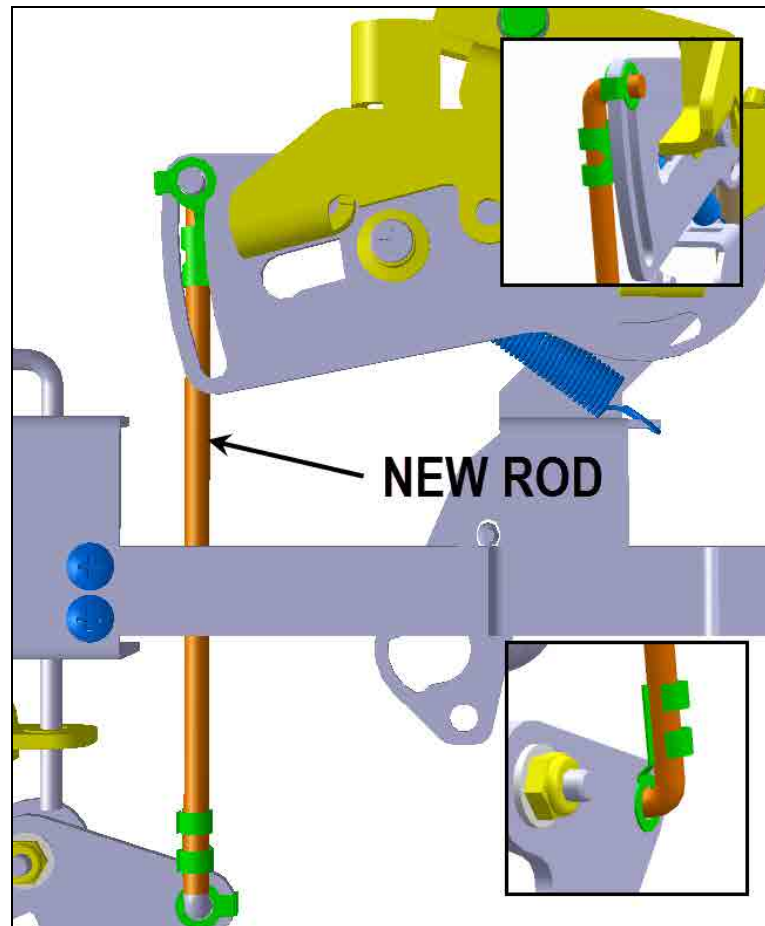


Fig.12

13. Reconnect the four remaining rods to the mechanism in the order shown below (Fig.13).

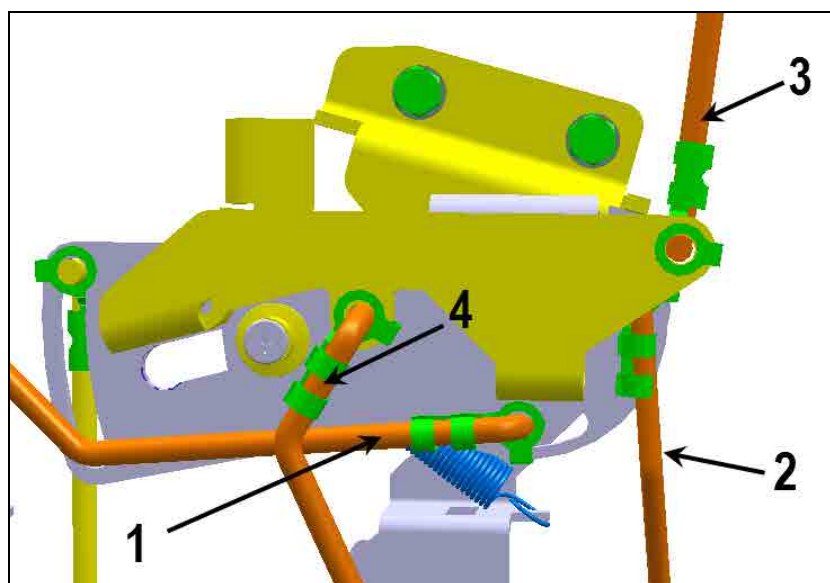


Fig.13

14. Test the locking mechanism several times to ensure proper function.

15. Reinstall the door interior trim panel and related components.

## PARTS / WASTE DISPOSAL

DO NOT RETURN THE REPLACED PARTS. Discard waste according to applicable environmental regulations (Municipal/State[Prov.]/ Federal)

## WARRANTY

This modification is covered by Prevo's normal warranty. We will reimburse you the parts and one and a half hour (1.5) of labor upon receipt of a warranty claim. Please submit claim via our Online Warranty System, available at [www.prevo.com](http://www.prevo.com) (under Service \ Warranty section). Use Claim Type: "Bulletin/Recall" and select "Warranty Bulletin WB15-39".

## OTHER

BC Bulletin	N/A
Fail Code	18.01
Defect Code	09
Syst. Cond	B
Causal Part	2800632

Access all our Service Bulletins on  
<https://secureus5.volvo.com/technicalpublications/en/pub.asp>  
or scan the QR-Code with your smart phone.  
E-mail us at **technicalpublications\_prev@volvo.com** and type  
"ADD" in the subject to receive our warranty bulletins by e-mail.

