

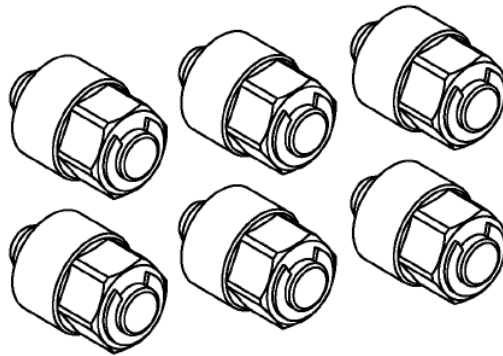
**No: 15 TL-6**  
**April 2, 2015**

TO: Service Locations  
FROM: Service Systems Development

Subject: **W470589129100 – HDEP HP Fuel Rail Test Caps**

## ISSUE

As part of a cost reduction effort, Detroit has released tool P/N: W470589129100, HDEP High Pressure Fuel Rail Test Caps. This tool (W470589129100) will supersede tool part number J-48704 as a cost reduction.



## REQUIRED ACTION

The previous tool may be used if it is undamaged. If a replacement or additional tools are required, please see below.

The tool can be ordered using a DDE supplier prefix.

- DDE W470589129100 – HDEP HP Fuel Rail Test Caps

## CONTACT INFORMATION

Please contact the Detroit™ Special Tool group at [detroittoolwarranty@daimler.com](mailto:detroittoolwarranty@daimler.com) if you have any questions.