

Constellation
Heritage
> 4700 Models

4800 Models
4900 Models
> 5700 Models

5900 Models
6900 Models

Western Star
Service Bulletin

General Information

The clamp shown in [Fig. 1](#) is used to install a box step in most applications, such as battery boxes, frame-mounted brackets, DEF tanks, tool boxes, and mounts on cylindrical fuel tanks. This clamp should not be reused. Use a new step clamp when installing box steps.

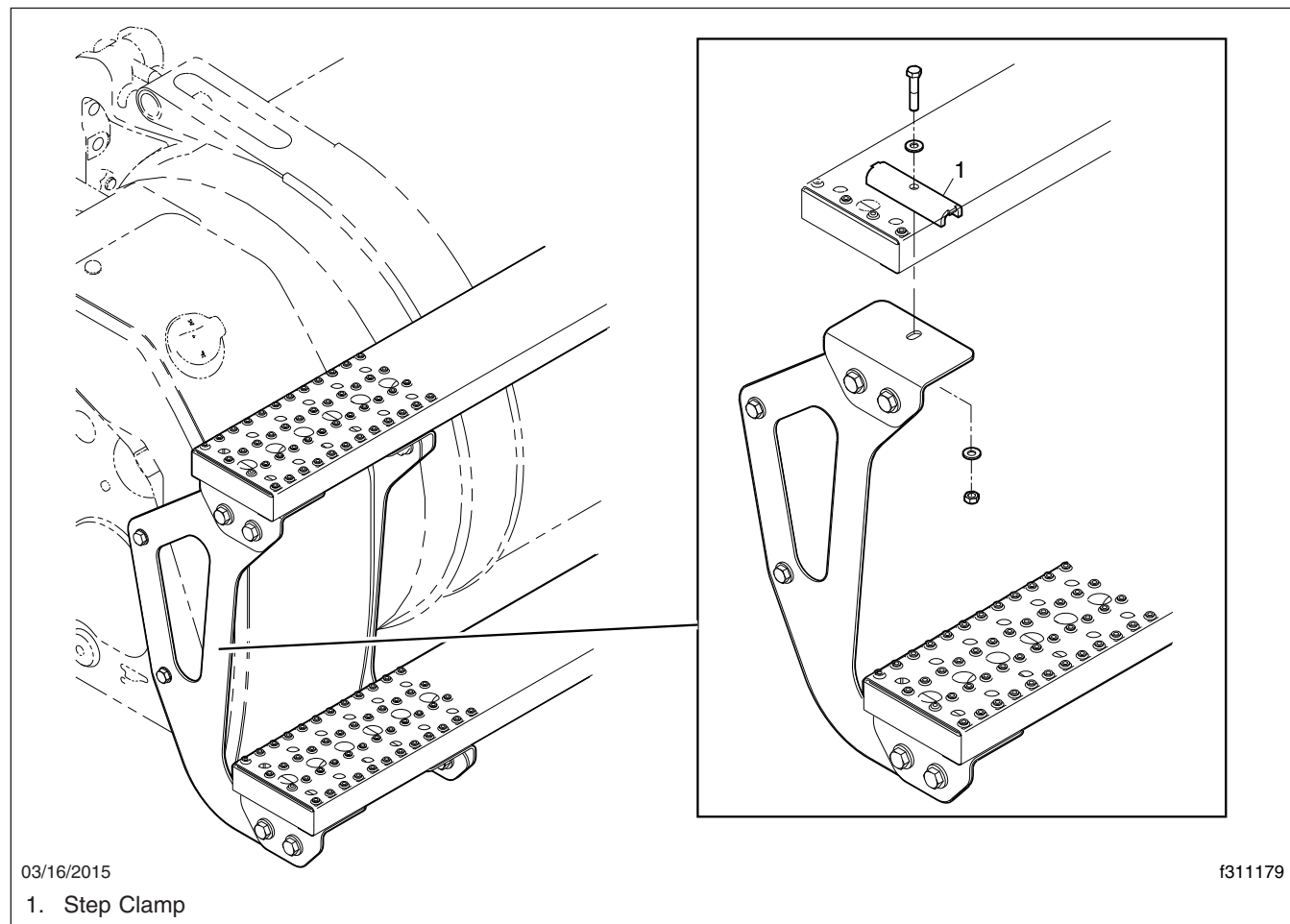


Fig. 1, Step Clamp, Typical Installation

Parts

Step clamps are available through the PDCs. See [Table 1](#).

Step Clamps		
Part #	Description	Quantity
22-42349-000	Step Clamp Without Reinforcement	1
22-42349-001	Step Clamp With Reinforcement	1

Table 1, Step Clamps

31-10

Step Clamps Are Not Reusable

**Western Star
Service Bulletin**

Constellation
Heritage
> 4700 Models

4800 Models
4900 Models
> 5700 Models

5900 Models
6900 Models

Warranty

This is an informational bulletin only. Warranty does not apply.