

# Special Bulletin

# SP15-306

Date	Expiration	Release	Page
02.2015	02.2017	1	1(4)

Release 1: Original release.

## KNEELING EXHAUST MUFFLER Prevost vehicles

### DESCRIPTION

On the vehicles affected by this bulletin, connect a tube and muffler to the kneeling valve exhaust and route it to the spare tire compartment.

### MODEL YEAR(S) AND VEHICLES INVOLVED

<b>NOTICE TO SERVICE CENTERS</b> <i>Verify vehicle eligibility by checking warranty bulletin status with <b>SAP</b> or via <b>ONLINE WARRANTY SYSTEM</b> available on Service / Warranty tab of Prevost website.</i>	
<b>Model</b>	<b>VIN</b>
X3-45 Commuter Model Year : 2014 - 2015	Single vehicles : 2PCG33495EC73 <b>5590</b> ; 2PCG33498EC73 <b>5602</b> ; 4RKG33493F373 <b>7001</b> ; 4RKG33495F373 <b>7002</b> ; 4RKG33497F373 <b>7003</b> ; 4RKG33499F373 <b>7004</b>
<b>This bulletin does not necessarily apply to all the above-mentioned vehicles, some vehicles may have been modified before delivery. The owners of the vehicles affected by this bulletin will be advised by a letter indicating the Vehicle Identification Number (VIN) of each vehicle concerned.</b>	

### MATERIAL NEEDED

Order the following parts:

<b>Part No.</b>	<b>Description</b>	<b>Qty</b>
503517	TUBE, NYLON, 1/2" BLUE	6 ft (Approx)
640237	MUFFLER	1
501529	UNION	1
641383	TUBE FITTING	1

Other parts that may be required:

<b>Part No.</b>	<b>Description</b>	<b>Qty</b>
504768	Double Head Cable tie	1

<b>NOTE</b> <i>Material can be obtained through regular channels.</i>
--------------------------------------------------------------------------

## PROCEDURE



### DANGER

Park vehicle safely, apply parking brake, stop engine. In the battery box, set the battery cut-off switch to the OFF position prior to working on the vehicle.

- 1) On the rear wall of the front wheel housing, center section, dismantle the existing kneeling valve exhaust tube and P-clamp.

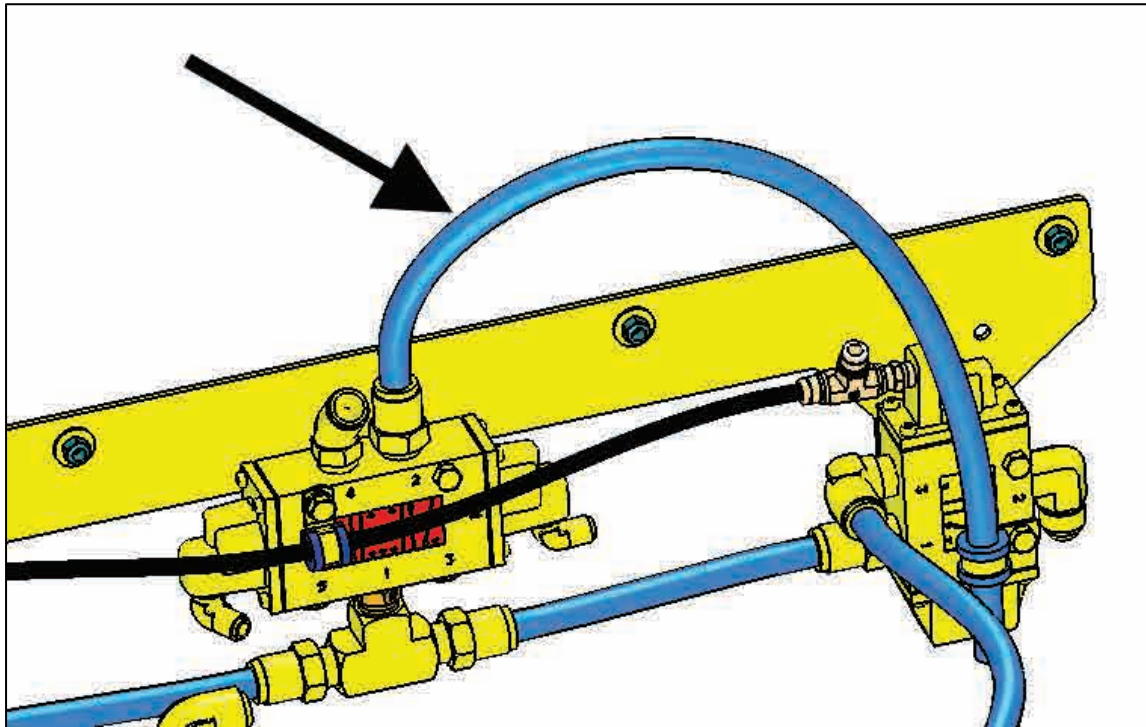


Figure 1

- 2) Connect a blue #503517 tube to kneeling valve exhaust port.

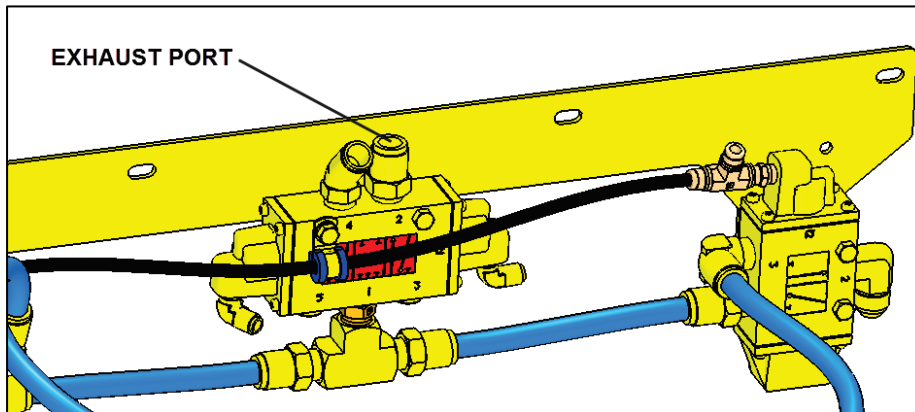


Figure 2

- 3) Route tube #503517 forward thru bulkhead tube in vehicle structure and to spare tire compartment.

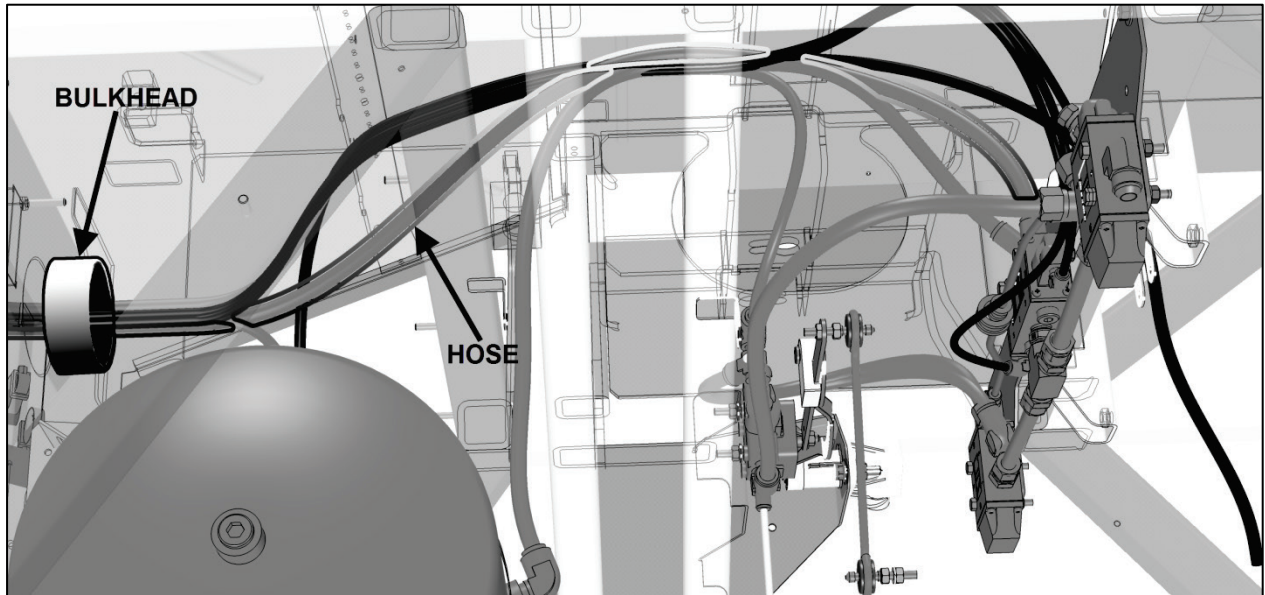


Figure 3: Road side view

- 4) Assemble muffler and fittings according to Figure 4. Use Teflon sealant.

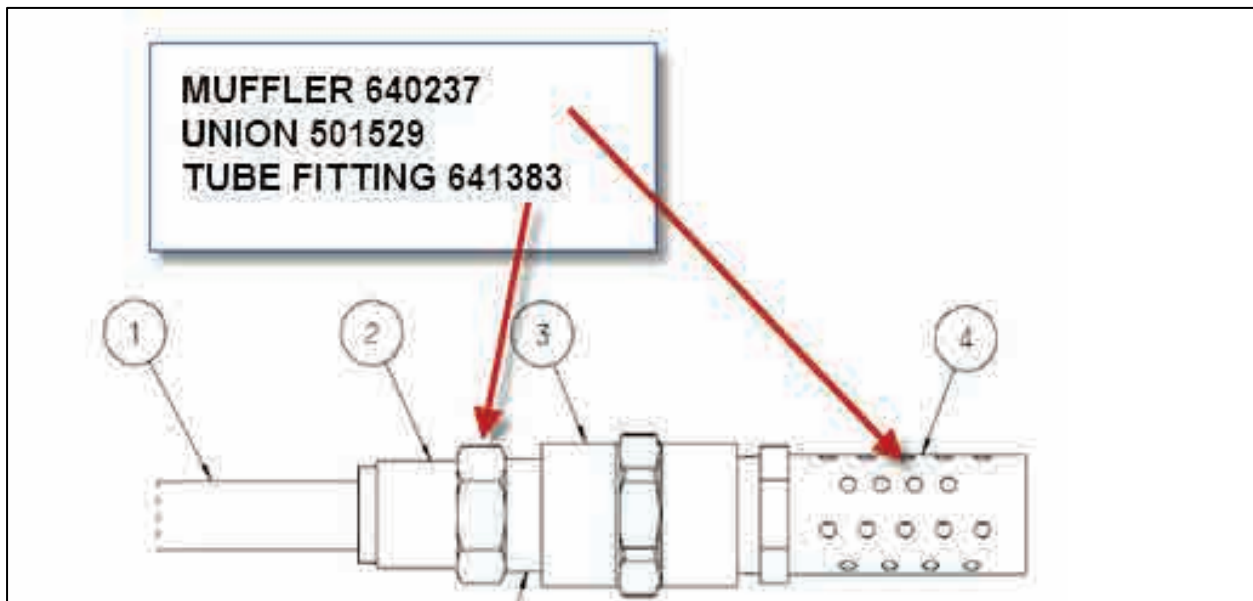


Figure 4

- 5) Attach tube to hot water valve hose with double head cable tie.(Fig. 5)

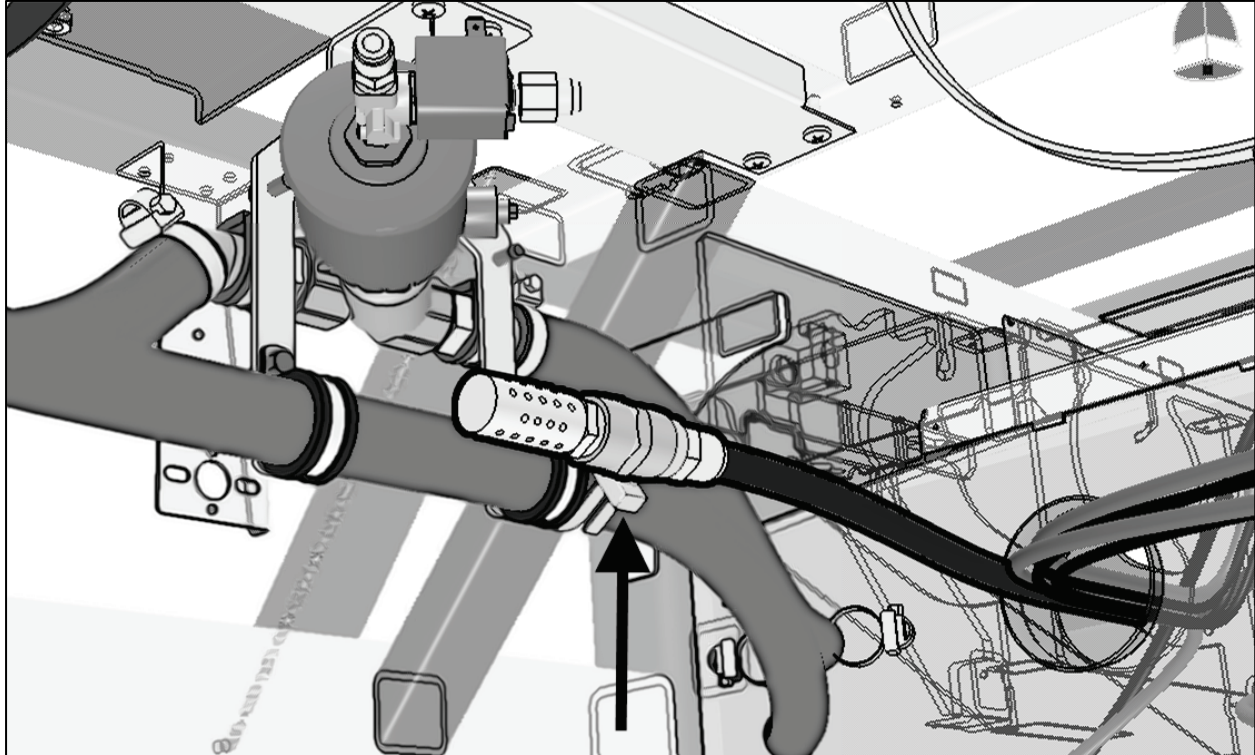


Figure 5

## PARTS / WASTE DISPOSAL

Return replaced parts to Prevest with A.F.A. for full reimbursement.  
Discard waste according to applicable environmental regulations (Municipal/State[Prov.]/ Federal)

## ESTIMATED TIME

The time required to perform this special bulletin is approximately one hour.

## OTHER

VBC Bulletin	N/A
Fail Code	06.10
Defect Code	09
System Condition	B
Causal Part	067954

Prevest engages in a continuous program of testing and evaluating to provide the best possible product. Prevest, however, is not committed to, or liable for updating existing products.