


# PREVOST

## WARRANTY BULLETIN

**WB15-44**

DATE :	SEPTEMBER 2015	SECTION: 13 - Wheels, Hubs Tires
EXPIRATION:	SEPTEMBER 2017	
SUBJECT :	WHEEL LUG NUTS TIGHTENING INSPECTION	

### APPLICATION


<b>NOTICE TO SERVICE CENTERS</b>		
<i>Verify vehicle eligibility by checking warranty bulletin status with <b>SAP</b> or via <b>ONLINE WARRANTY SYSTEM</b> available on Service / Warranty tab of Prevost website.</i>		
Model	VIN	
Prevost H-Series Vehicles Model Year : 1993+	2P9V33404P1001245 2P9V33404P1001245 2PCV33492X1012687 2PCV33497X1012748 2PCH33491Y1013540 2PCH3349631014532 2PCV3349831014728 2PCH3349651010127 2PCV3349661010424 2PCV334998C711076 2PCH33490AC711583 2PCH33499DC712249 2PCH33499EC712558	2PCH33416T1001320 2PCV33496X1012725 2PCH33491X1012788 2PCV33492Y1013775 2PCV3349531014539 2PCV3349141014829 2PCV3349951010139 2PCV3349X61010622 2PCV3349X8C711393 2PCVS3412CC712012 2PCH33495EC712556 2PCH33497FC712785
Prevost X-Series Vehicles Model Year : 1985+	2P9M33407F1001041 2P9M33402K1001667 2P9M33406R1001813 2P9E33490S1001623 2PCM33495T1025973 2PCM33491W1026493 2PCE33496W1026638 2PCL33401X1026704 2PCM33497X1026838 2PCW33490Y1027310 2PCW33497Y1027384 2PCY3349X21027766	2P9L33406H1001255 2P9M33406N1001966 2P9M33497S1001503 2PCM33491T1025758 2PCM33498W1026488 2PCM33406W1026586 2PCM33494W1026679 2PCM33404X1026720 2PCM33498X1026878 2PCW33495Y1027058 2PCW3349811027674 2PCW3349521027942

Prevost X-Series Vehicles (cont.) Model Year : 1985+	2PCW3349831028116	2PCW3349921027880
	2PCY3349941028202	2PCY3349531028065
	2PCY3349951028508	2PCY3349041028198
	2PCY3349551028523	2PCW3349271729109
	2PCW3349751028546	2PCW334978C729418
	2PCW3349751028739	2PCY3349X8C729518
	2PCW3349961028811	2PCY334989C729616
	2PCW3349761028855	2PCYS3497DC735435
	2PCY3349661028886	
	This bulletin does not necessarily apply to all the above-mentioned vehicles, some vehicles may have been modified before delivery. The owners of the vehicles affected by this bulletin will be advised by a letter indicating the Vehicle Identification Number (VIN) of each vehicle concerned.	

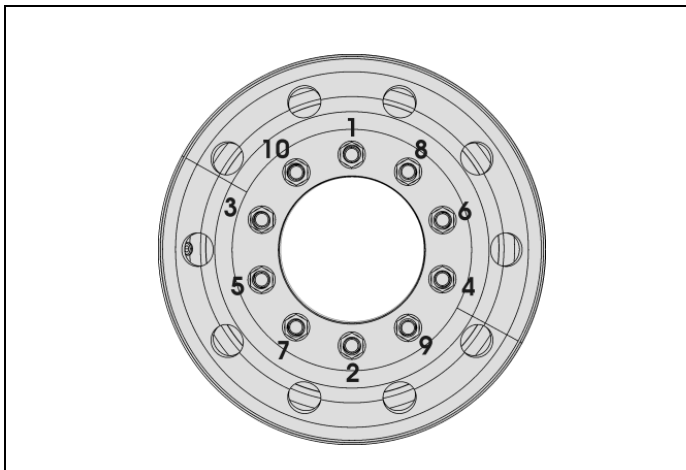
## DESCRIPTION

On the vehicles affected by this bulletin, the equipment used to tighten the wheel lugs in a visit to one of our Service Center between November 2014 and June 2015, was found to be out of specification, possibly delivering a torque value inferior to the specified 450 to 500 ft-lb (610 to 680 Nm). Please verify and correct as necessary the wheel lug torque on the concerned vehicles, or bring the vehicle at a Prevost Service Center for verification at your earliest convenience.

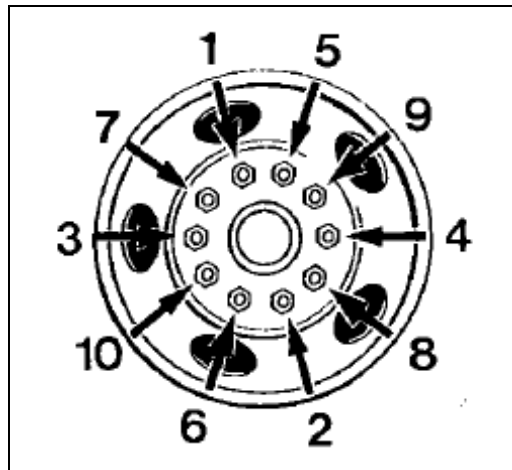
## PROCEDURE


DANGER

Park vehicle safely, apply parking brake, stop engine prior to working on the vehicle.



MERTIC M22 STUD TIGHTENING SEQUENCE



SAE 1 1/2 in STUD TIGHTENING SEQUENCE

1. Raise the vehicle by its jacking points.

2. With a properly calibrated torque wrench and appropriately sized open box socket, check the torque value of *the lug nuts on all vehicle wheels* following the sequence shown above. Correct as necessary.

**Correct torque value for all wheels: 450 to 500 ft-lb (610 to 680 Nm).**



## CAUTION

Tightening should not be done immediately after prolonged braking or when wheel ends are hot.

## PARTS / WASTE DISPOSAL

DO NOT RETURN THE REPLACED PARTS. Discard waste according to applicable environmental regulations (Municipal/State[Prov.]/ Federal)

## WARRANTY

This modification is covered by Prevo's normal warranty. We will reimburse you 3/4 hour (0.75) of labor for the complete procedure upon receipt of a warranty claim. Please submit claim via our Online Warranty System, available at [www.prevo.com](http://www.prevo.com) (under Service \ Warranty section). Use Claim Type: "Bulletin/Recall" and select "Warranty Bulletin WB15-44".

## OTHER

VBC Bulletin	N/A
Fail Code	13.00
Defect Code	09
Syst. Cond	B
Causal Part	20434082

Access all our Service Bulletins on <https://secureus5.volvo.com/technicalpublications/en/pub.asp> or scan the QR-Code with your smart phone.  
E-mail us at **technicalpublications\_prev@volvo.com** and type "ADD" in the subject to receive our warranty bulletins by e-mail.

