

PREVOST

**WARRANTY
BULLETIN**

WB15-38A

DATE :	AUGUST 2015	SECTION :	23 - Accessories
EXPIRATION:	AUGUST 2017		
SUBJECT :	WASHER FLUID HOSE SUPPORT		

Revision A This bulletin supersedes all previous versions.
Aug. 24, 2015: Corrected release date to august.

APPLICATION

NOTICE TO SERVICE CENTERS	
<i>Verify vehicle eligibility by checking warranty bulletin status with SAP or via ONLINE WARRANTY SYSTEM available on Service / Warranty tab of Prevost website.</i>	
Model	VIN
X3-45 coaches Model Year : 2015	From 2PCG33496FC735793 up to 2PCG33495FC735851 incl.
X3-45 VIP commercial use Model Year : 2015	<p>The following individual vehicles:</p> <p>2PCCS3492FC735792, 2PCCS3496FC735794, 2PCCS3498FC735800, 2PCC33497FC735803, 2PCCS3495FC735804, 2PCCS3497FC735805, 2PCC33492FC735806, 2PCC33494FC735807, 2PCC33498FC735809, 2PCC33494FC735810, 2PCC33496FC735811, 2PCCS3494FC735812, 2PCC33497FC735820, 2PCC33490FC735822, 2PCCS349XFC735829, 2PCCS3498FC735831, 2PCCS3499FC735840</p>
X3-45 VIP motorhomes Model Year : 2015	<p>The following individual vehicles:</p> <p>2PCBS3499FC735798, 2PCBS3498FC735808, 2PCBS3497FC735816, 2PCBS3490FC735818</p>
<p>This bulletin does not necessarily apply to all the above-mentioned vehicles, some vehicles may have been modified before delivery. The owners of the vehicles affected by this bulletin will be advised by a letter indicating the Vehicle Identification Number (VIN) of each vehicle concerned.</p>	

DESCRIPTION

On the vehicles affected by this bulletin, add an extrusion to the wiper arms to support the washer fluid hose.

MATERIAL

Order kit number **SP15-334** which includes the following parts:

Part No.	Description	Qty
300642	HOSE SPACER	2

NOTE

Material can be obtained through regular channels.

PROCEDURE



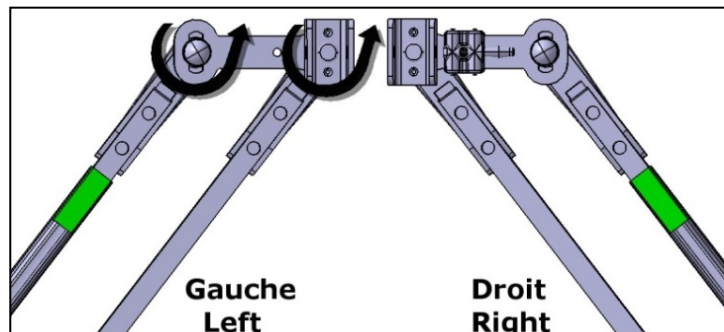
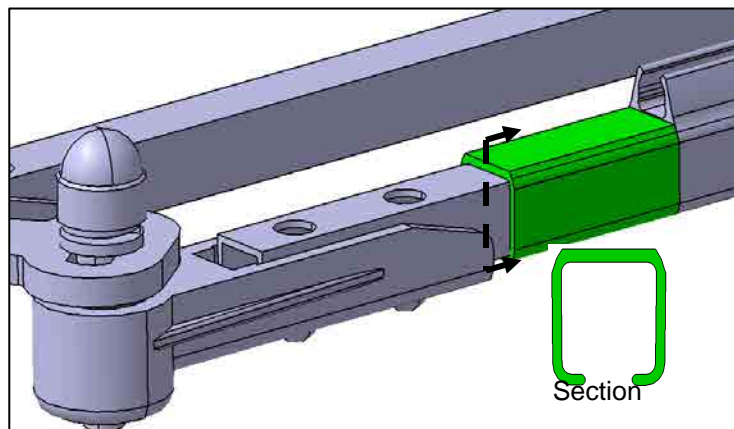
DANGER

Park vehicle safely, apply parking brake, stop engine. Prior to working on the vehicle, set the ignition switch to the OFF position and trip the main circuit breakers equipped with a trip button. On the Commuter type vehicles, set the battery master switch (master cut-out) to the OFF position.

Locate the wiper arms on the vehicle.

For each wiper parallelogram assembly, install one extruded spacer #300642, Qty 2 on the arm having the washing fluid hose.

Important: Orient as shown, with slot underneath.



PARTS / WASTE DISPOSAL

DO NOT RETURN THE REPLACED PARTS. Discard waste according to applicable environmental regulations (Municipal/State[Prov.]/ Federal)

WARRANTY

This modification is covered by Prevost's normal warranty. We will reimburse you the parts and one hour (1.0h) of labor upon receipt of a warranty claim. Please submit claim via our Online Warranty System, available at www.prevostcar.com (under Service \ Warranty section). Use Claim Type: "Bulletin/Recall" and select "Warranty Bulletin WB15-38".

OTHER

VBC Bulletin	N/A
Fail Code	23.05
Defect Code	09
Syst. Cond	B
Causal Part	300642

Access all our Service Bulletins on
<https://secureus5.volvo.com/technicalpublications/en/pub.asp>

or scan the QR-Code with your smart phone.

E-mail us at **technicalpublications_prev@volvo.com** and type "ADD" in the subject to receive our warranty bulletins by e-mail.

