



Technical Bulletin

Model(s)	Year	Eng. Code	Trans. Code	VIN Range From	VIN Range To
Golf-R	2015	2.0L (CYFB)	All	All	All

Condition

PDI - Front License Plate Bracket - Installation Instructions

66 15 04 April 1, 2015 2040233 Supersedes Technical Bulletin V661503 to include part number color code.

Technical Background

Vehicles not delivered with a front license plate bracket.

For states that require a front license plate, please use this document as a reference.

Production Solution

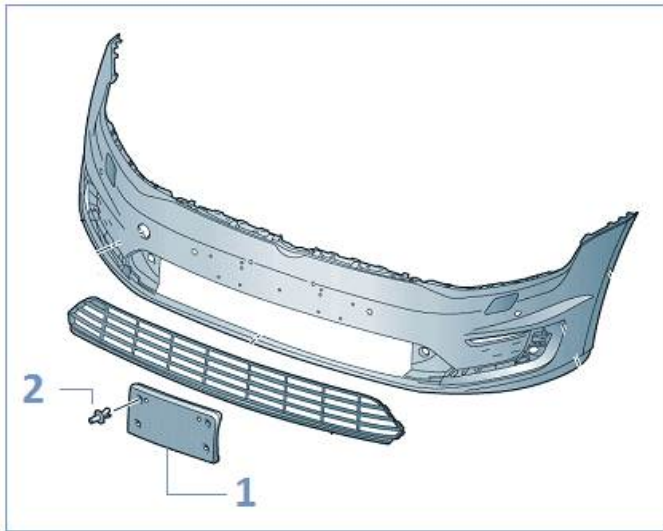
No production change required.

Technical Bulletin

Service

! Note:

Before drilling mounting holes into the bumper cover, make sure that there are no obstacles behind the drilling area.



Front license plate holder, installing

- Center the license plate bracket -1- on the front bumper cover.
- Mark the centers of the 4 mounting holes on the bumper cover.
- Using an 8mm drill bit, drill 4 holes at the locations marked.
- Align the holes of the bracket with the drilled holes on the bumper cover.
- Fasten the bracket with 4 (push pin style) clips -2-.



Technical Bulletin

Warranty

Installation of the license plate holder is included in the PDI.

DO NOT claim additional labor for this operation.

Required Parts and Tools

Part Description	Part No:	Quantity
License Plate Holder	5G0807287F 9B9	1
Spreader Rivet	N 038 549 4	4

No Special Tools required.

Always see ETKA for the latest part(s) information.

Additional Information

All part and service references provided in this Technical Bulletin are subject to change and/or removal. Always check with your Parts Dept. and Repair Manuals for the latest information.