



Technical Bulletin

Model(s)	Year	Eng. Code	Trans. Code	VIN Range From	VIN Range To
Golf-R	2015	2.0L (CYFB)	All	AU1FW127111	AU7FW245826

Condition

PDI - Front License Plate Bracket - Installation Instructions

66 15 06 April 22, 2015 2040233 Supersedes Technical Bulletin V661505 dated April 10, 2015 to update damage code and damage location in warranty table.

 **Note:**

This Bulletin may only be applied as “one time only” for vehicles within 12 months of the original vehicle in-service date as stated in the Warranty Policy. (See section 1.3 General Guidelines/ Start of warranty period).

Technical Background

Vehicles not delivered with a front license plate bracket.

For states that require a front license plate, please use this document as a reference.

Production Solution

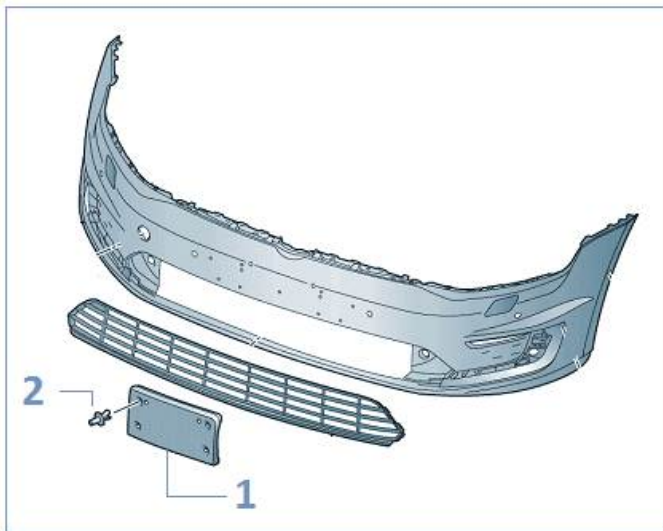
No production change required.

Technical Bulletin

Service

! Note:

Before drilling mounting holes into the bumper cover, make sure that there are no obstacles behind the drilling area.



Front license plate holder, installing

- Center the license plate bracket -1- on the front bumper cover.
- Mark the centers of the 4 mounting holes on the bumper cover.
- Using an 8mm drill bit, drill 4 holes at the locations marked.
- Align the holes of the bracket with the drilled holes on the bumper cover.
- Fasten the bracket with 4 (push pin style) clips -2-.



Technical Bulletin

Warranty

To determine if this procedure is covered under Warranty, always refer to the Warranty Policies and Procedures Manual ¹⁾					
Model(s)	Year(s)	Eng. Code(s)	Trans. Code(s)	VIN Range From	VIN Range To
Golf R (5G1)	2015	2.0L (CYFB)	All	AU1FW127111	AU7FW245826
SAGA Coding					
Claim Type:	9SP / 1SP ¹⁾				
Service Number:	Damage Code	HST	Damage Location (Depends on Service No.)		
6329	0012	--	110		
Parts Manufacturer	Golf R		WVO		
Labor Operation:	Included in PDI				
Causal Part:	5G0 807 287F 9B9				
Claim Comment: Input "As per Technical Bulletin 2040233" in comment section of Warranty Claim.					
¹⁾ Vehicle may be outside any Warranty in which case this Technical Bulletin is informational only					



Technical Bulletin

Required Parts and Tools

Part Description	Part No:	Quantity
License Plate Holder	5G0 807 287F 9B9	1
Spreader Rivet	N 038 549 4	4

No Special Tools required.

Always see ETKA for the latest part(s) information.

Additional Information

All part and service references provided in this Technical Bulletin are subject to change and/or removal. Always check with your Parts Dept. and Repair Manuals for the latest information.