

# Tech Tips

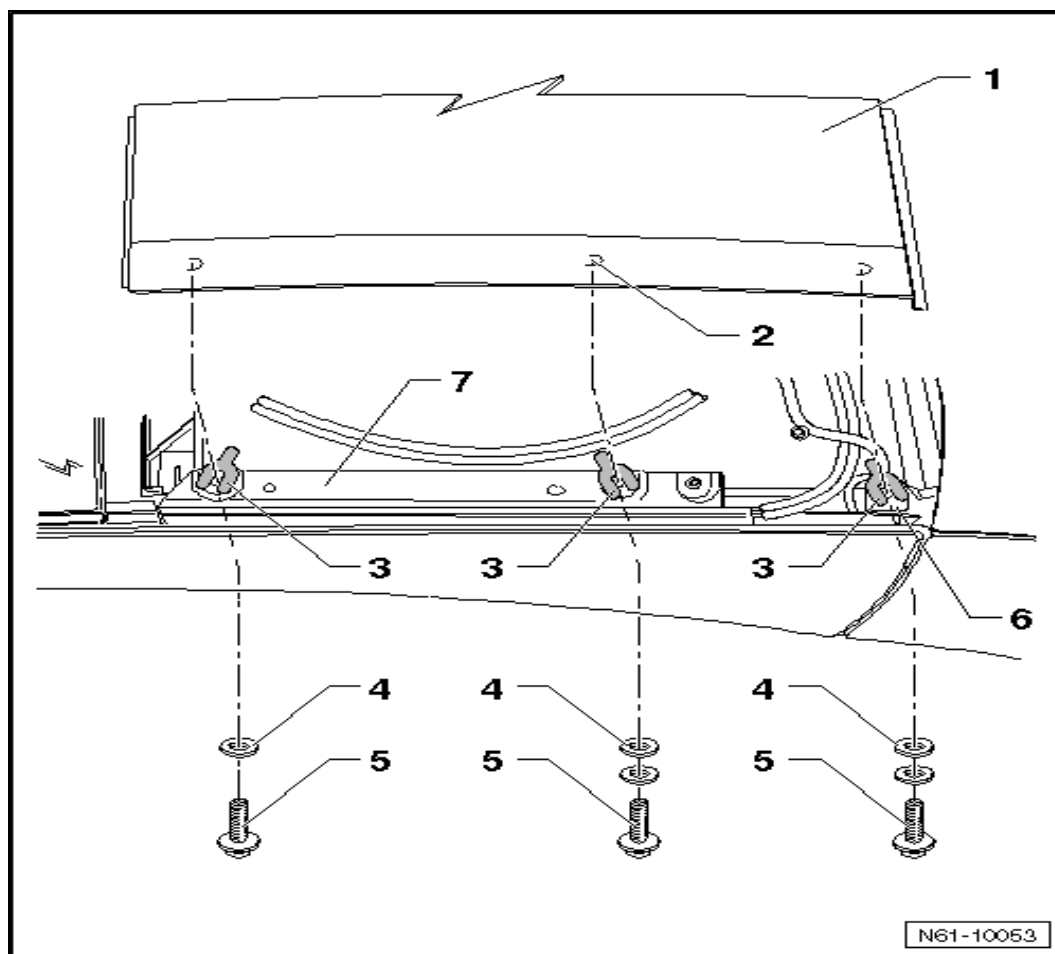
TT 61-08-09

Date: 2008

2007-2015 Eos - Rattle Noise From Roof Center Section

February 20, 2015: Update to Model Year.

For a “rattle noise from the center of the convertible top” concern, check the 6 “M” segment retaining bolts (3 per side) and re-torque to 9.5 NM. (It may be necessary to drop the rear of the headliner to access the very rear bolts.) **Check that the torque is correct, the bolt is clamping the sections together and that the shims and washers are tight. If the shims or washers spin freely but the bolt is tight, remove and replace the bolt, keeping the shims in place.** Torque the new bolts to 9.5 NM and check the shims again to ensure they are locked into place.





Das Auto.

# Service Information

