

# Technical Service Bulletin



## 19 Low coolant warning on; stone damage to intercooler radiator

19 15 59 2034439/3 April 10, 2015. Supersedes Technical Service Bulletin Group 19 number 13-45 dated September 3, 2013 for reasons listed below.

Model(s)	Year	VIN Range	Vehicle-Specific Equipment
S4, S5, S5 Cabriolet	2010-2013	All	3.0 FSI
A6, A7	2012-2013	All	3.0 and 4.0 FSI

## Condition

REVISION HISTORY		
Revision	Date	Purpose
3	-	Revised <i>Warranty</i> (Corrected labor operation description) Revised <i>Required Parts and Tools</i> (Updated part numbers)
2	9/3/2013	Revised <i>Required Parts and Tools</i> (Added information)
1	7/12/2013	Initial publication

- The coolant warning light is illuminated.
- Coolant is leaking from the front intercooler radiator because of stone damage to the radiator.

## Technical Background

When vehicles are driven on gravel roads, there is a greater chance of front-end stone impact damage to the intercooler radiator (Figure 1).



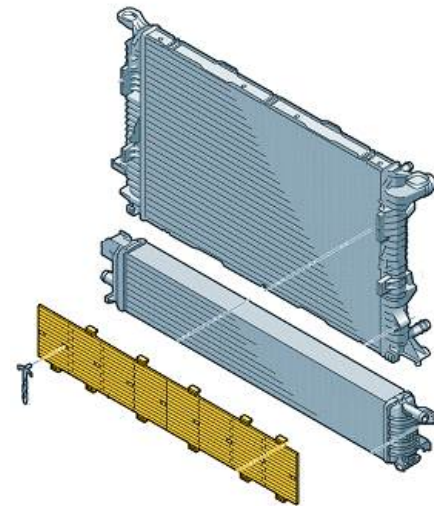
**Figure 1.** Damage from front-end stone impact.

## Production Solution

Beginning with CW15 2013, a protective grill has been added.

## Service

1. Verify that the coolant is leaking from the front intercooler radiator, and that the cause is stone damage.
2. Replace intercooler radiator and install a radiator protective grill (Figure 2) to prevent leaking. Follow instructions in Elsa.



*Figure 2. Radiator protective grill.*

# Technical Service Bulletin



## Warranty

<b>Claim Type:</b>	Use <b>1SP</b> claim type.		
<b>Service Number:</b>	1980		
<b>Damage Code:</b>	0010		
<b>Labor Operations:</b>	<b>For S4, S5, S5 Cab:</b>		
	Bumper guard remove+reinstall	6627 1900	30 TU
	Additional radiator remove+reinstall	1980 1992	90 TU
	<b>For A6/S6, A7/S7 (3.0T):</b>		
	Additional radiator remove+reinstall	1980 1941	90 TU
	<b>For A6/S6, A7/S7 (4.0T):</b>		
<b>Diagnostic Time:</b>	GFF	No allowance	0 TU
	Road test prior to service procedure	No allowance	0 TU
	Road test after service procedure	0121 0004	10 TU
	Technical diagnosis at dealer's discretion (Refer to Section 2.2.1.2 and Audi Warranty Online for DADP allowance details)		
<b>Claim Comment:</b>	As per TSB # 2034439/3		

All warranty claims submitted for payment must be in accordance with the *Audi Warranty Policies and Procedures Manual*. Claims are subject to review or audit by Audi Warranty.

## Required Parts and Tools

Part number	Part Description	Quantity
8K0145804H or 4G0145804A (Check ETKA for correct part number)	Radiator	1
8K0820746C	Protective grill	1
8K0867646	Clips	9
G 012A8J1G	Coolant (as needed)	1

## Additional Information

All parts and service references provided in this TSB (2034439) are subject to change and/or removal. Always check with your Parts Department and service manuals for the latest information.