



Technical Service Bulletin

SUBJECT:			No: TSB-15-00-003
NEW MODEL FEATURES AND SERVICE INFORMATION – 2016 OUTLANDER			DATE: June, 2015
			MODEL: 2016 Outlander
CIRCULATE TO:	<input type="checkbox"/> GENERAL MANAGER	<input checked="" type="checkbox"/> PARTS MANAGER	<input checked="" type="checkbox"/> TECHNICIAN
<input checked="" type="checkbox"/> SERVICE ADVISOR	<input checked="" type="checkbox"/> SERVICE MANAGER	<input type="checkbox"/> WARRANTY PROCESSOR	<input checked="" type="checkbox"/> SALES MANAGER

PURPOSE



This bulletin highlights important features and service information for the **2016 Outlander** (U.S. Models only). Refer to the 2016 Outlander service manual and Technical Information Manual on MEDIC or CD (MSCD007B2016), and the vehicle owner's manual for details on these and other features.

AFFECTED VEHICLES

2016 Outlander

Model Lineup

MODEL	ENGINE	TRANSMISSION
ES (2WD)	4J12 – 2.4L SOHC MIVEC 16V 4 cyl. ↓	CVT ↓
SE (2WD / S-AWC)		
SEL (2WD / S-AWC)		
GT (S-AWC)	6B31 – 3.0L SOHC MIVEC 24V 6 cyl.	6 spd. A/T w/shift paddles

SERVICE INFORMATION

See TSB-15-00-004 for Technical Specifications.

NEW FEATURE HIGHLIGHTS

GENERAL

31 items added to improve noise reduction

COMMENT

Standard on all 2016 Outlander

TRANSMISSION

New generation (F/W1CJC) continuously variable transmission (CVT)

Standard on 2016 Outlander ES, SE and SEL

SUSPENSION

Reinforcement braces added to the unibody to improve body and suspension rigidity

Standard on all 2016 Outlander

Front suspension crossmember reinforced for enhanced stiffness

Standard on all 2016 Outlander

Increased front spring rate and shock absorber dampening to complement enhanced rigidity

Standard on all 2016 Outlander

Larger rear shock absorbers to enhance ride quality and stability

Standard on all 2016 Outlander

STEERING

Re-calibrated EPS (electronic power steering) to enhance steering feedback

Standard on all 2016 Outlander

INTERIOR

Redesigned leather wrapped steering wheel

Standard on all 2016 Outlander

Redesigned headliner and A-pillar trim

Standard on all 2016 Outlander

New seat fabric

Standard on 2016 Outlander ES and SE

Sunglass holder

Standard on all 2016 Outlander without sunroof

Softpad added to armrest

Standard on all 2016 Outlander

Redesigned second row rear seat operation

Standard on all 2016 Outlander

Auto-dimming rearview mirror with Homelink®

Standard on 2016 Outlander GT

Redesigned display audio system interface for improved user operation and functionality

Standard on 2016 Outlander SE, SEL and GT

Redesigned MMCS interface for improved user operation and functionality

Optional on 2016 Outlander SEL and GT with Touring Package

8-way power adjustable driver's seat

Standard on 2016 Outlander SEL and GT

EXTERIOR

New front bumper, upper front grille, front fender, rear bumper, rear garnish, wheel arch garnish and side door garnish

Standard on all 2016 Outlander

New halogen projector type headlamp with integrated LED position lamps

Standard on 2016 Outlander ES, SE, and SEL

New LED projector type headlamp with integrated LED position lamps

Standard on 2016 Outlander GT

New fog lamp

Standard on 2016 Outlander SE, SEL and GT

New LED tail lamp and reverse lamp assembly

Standard on all 2016 Outlander

New 18" alloy wheels

Standard on all 2016 Outlander

TPMS transmitter registration available for two sets of tires

Standard on all 2016 Outlander

Power folding side mirrors

Standard on 2016 Outlander GT

Windshield wiper de-icer

Standard on 2016 Outlander GT

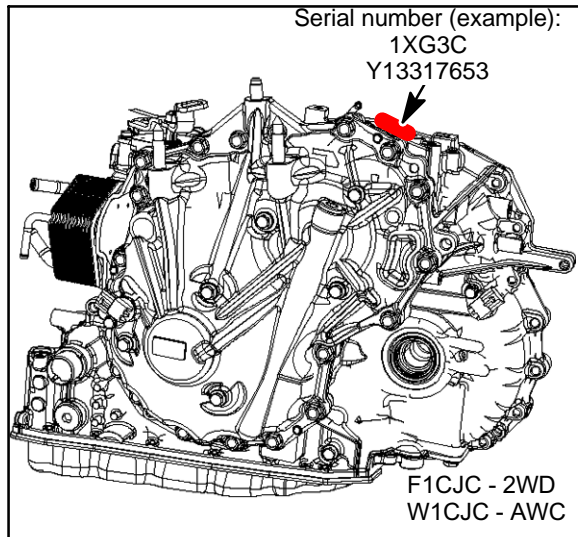
Roof rails

Standard on 2016 Outlander SEL (black) and GT (silver)

Tailgate provides 73 in. of clearance (additional 1.5 in. when compared to 2015 model)

Standard on all 2016 Outlander

DRIVETRAIN



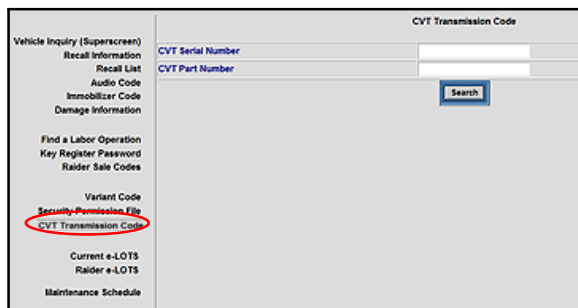
2016 Outlander ES, SE, and SEL with 2.4L 4J12 Engine: New generation CVT (F/W1CJC) featuring the following enhancements for the 2.4L powered 2016 Outlander:

- Improved ratios
- Reduced oil levels with lower viscosity oil and a smaller oil pump provide less mechanical resistance.
- Provides better response, improved performance from a standing start and a more unified feeling of acceleration
- When replacing the CVT assembly, valve body and/or TCM, an initialization procedure is required. This procedure will be covered in detail in a separate TSB.

CVT INITIALIZATION (2016 Outlander w/2.4 L Drivetrain Only)

1. When TCM is Replaced

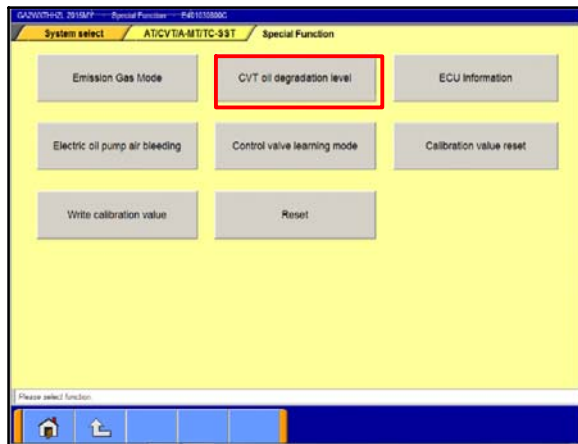
Follow the procedures in service group Group 23A – CVT –> Diagnosis –> Initialization Procedure for CVT Learned Value to copy the valve body serial number to the MUT-III before removing the TCM. After installing the TCM, use MUT-III to copy the valve body serial number to the new TCM.



2. When Valve Body or Transaxle is Replaced

Follow procedures in service group Group 23A – CVT –> Diagnosis –> Initialization Procedure for CVT Learned Value. When instructed to “Import a serial number from the CD-R,” download the file from the “Vehicle Information” page on the MDL and copy it to the TCM, similar to download coding.

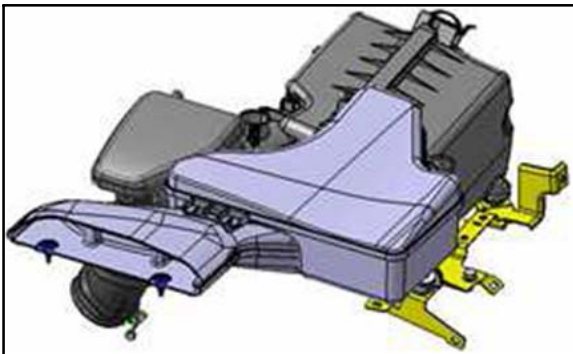
Valve bodies and transmissions are shipped with a CD containing the necessary transmission data. Do not use it unless directed to do so by Techline. Keep the CD with the service file as a data backup copy.



CVT Oil Degradation Reset

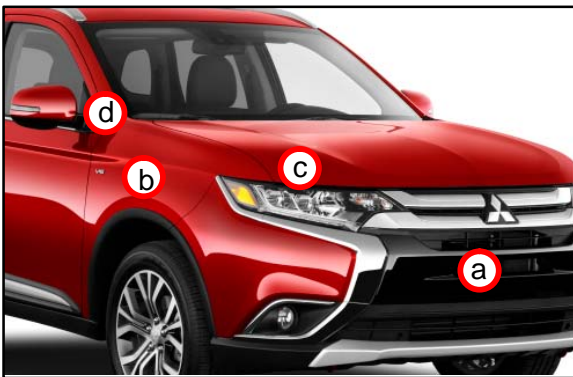
The new CVT (F/W1CJC) uses the same transmission fluid as the current CVT (Genuine Mitsubishi CVTF-J4: MZ320185), with a capacity of 7.3 qts (6.9 L), a reduction of approximately 1 qt. (.96 L). Like in the current CVT, CVT fluid degradation is monitored by the TCM and the degradation level must be reset using MUT-III when fluid is changed. The reset procedure is the same as that used with 2015 and earlier MMNA vehicles.

ENGINE



- 2.4L engines come equipped with a resonator attached to the air duct to reduce engine intake noise

EXTERIOR



- a. New front bumper, grille and fog lamp bezel that displays Mitsubishi's new design language
- b. New front fender and wheel arch garnish
- c. 2016 Outlander ES, SE and SEL models are equipped with new halogen headlamps (GT models are equipped with new LED headlamps)
- d. Power folding side mirrors available on 2016 Outlander SEL (optional) and GT (standard) models



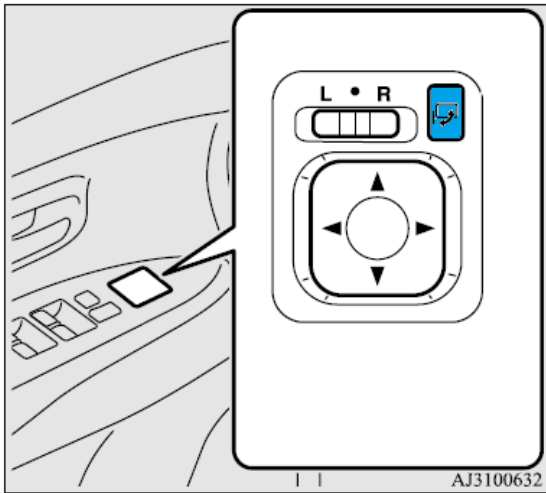
- e. New rear bumper
- f. New rear garnish
- g. New LED tail light and reverse light assembly
- h. New side door (front and rear) garnish
- i. New 18" alloy wheels
- j. Acoustic glass windshield and thicker rear door glass is installed for improved sound insulation



- LED position lamps in the headlamps illuminate when parking lights are activated (12 LED chips)



- The windshield wiper de-icer uses an electric defroster element to de-ice wiper blades in contact with the defroster area. When activated, a heat strip on the lower windshield glass keeps ice or snow from accumulating around the wipers, helping them maintain their effectiveness in keeping the windshield clean.



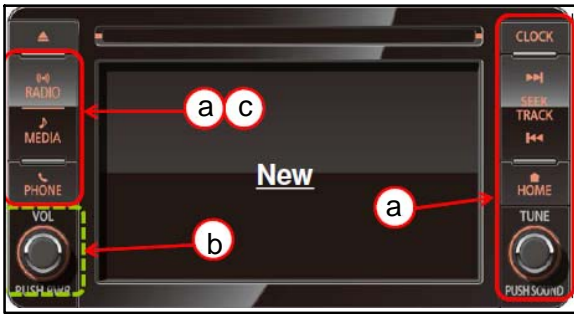
- Power folding side mirrors can be retracted and extended by using the following methods (methods 2-6 can be disabled/enabled):

1. Pressing the power folding side mirror switch located on the driver's door window switch panel when the ignition switch is in the "ON" or "ACC" position and for approximately 30 seconds after the ignition switch is turned to the "OFF" position
2. Extends when the driver's door is closed and the ignition switch is turned to the "ON" position
3. Retracts when the ignition switch is turned to the "OFF" position and the driver's door is opened
4. Extends when the F.A.S.T. Key transmitter is used to unlock the doors
5. Retracts when the F.A.S.T. Key transmitter is used to lock the doors
6. Extends when vehicle speeds exceeds approximately 18 mph (30 kmph)

INTERIOR

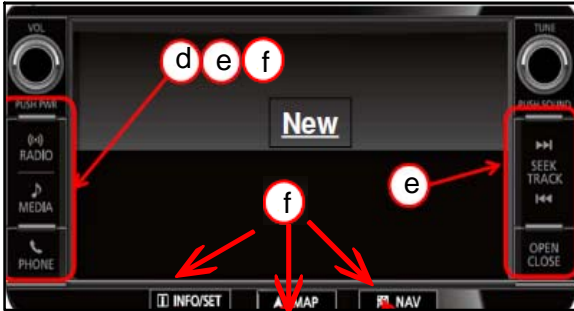


- 2016 Outlander GT models are equipped with an auto-dimming rearview mirror with Homelink®. A forward-looking sensor detects low ambient light from headlights behind the car and directs the rearview sensor to look for glare. The mirror darkens automatically in proportion to how bright the glare is, then clear once the glare is no longer detected.



- Redesigned display audio unit for improved user operation and functionality

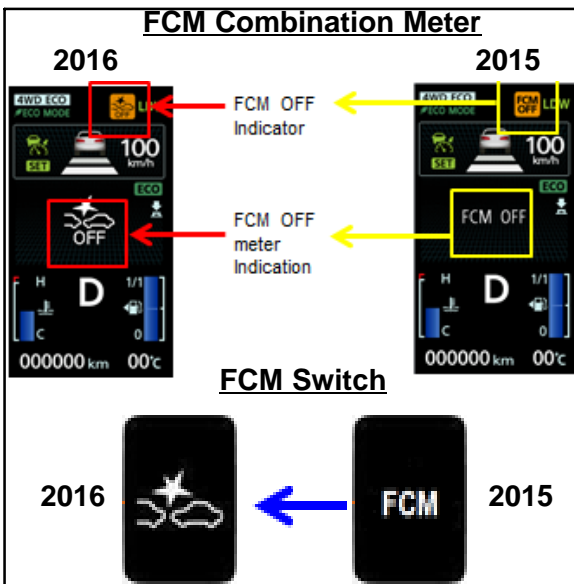
- a. Add hard keys and tune knob
- b. Change position of volume knob to driver side
- c. Added button icons



- Redesigned MMCS unit for improved user operation and functionality

- d. Place frequently used buttons closer together
- e. Enlarged buttons
- f. Added button icons

FORWARD COLLISION MITIGATION (if equipped)



- The FCM indicator in the combination meter and switch have changed for the 2016 Outlander.

FACTORY AND PORT OPTION PACKAGES

SEL TOURING PACKAGE – 2016 Outlander SEL

- MMCS Navigation system with 7" HD touch panel, voice command, 3D mapping, point of interest information, real-time traffic updates and Mapcare[®] (replaces std. audio system head unit).
- 710-Watt, 9 speaker Rockford-Fosgate[®] Premium Audio System including 10-inch dual-voice coil subwoofer w/Punch control[®], DTS[®] Neural Surround, PremiDIA-WIDE[®] surround and Dolby[®] Volume
- SiriusXM[®] Satellite Radio with 3 months pre-paid subscription
- Adaptive Cruise Control (ACC) system
- Forward Collision Mitigation (FCM) System
- Lane Departure Warning (LDW) system
- Auto on/off headlights
- Power glass sunroof w/one touch open-close switch
- Power remote operated liftgate
- Power folding side mirrors
- Windshield wiper de-icer
- Rain-sensing windshield wipers

SEL PREMIUM PACKAGE – 2016 Outlander SEL

- 710-Watt, 9 speaker Rockford-Fosgate[®] Premium Audio System including 10-inch dual-voice coil subwoofer w/Punch control[®], DTS[®] Neural Surround, PremiDIA-WIDE[®] surround and Dolby[®] Volume
- SiriusXM[®] Satellite Radio with 3 months pre-paid subscription
- Power remote operated liftgate
- Power glass sunroof w/one touch open-close switch
- Power folding side mirrors
- Windshield wiper de-icer

SEL SAFETY PACKAGE – 2016 Outlander SEL

- Forward Collision Mitigation (FCM) system
- Lane Departure Warning (LDW) system
- Adaptive Cruise Control (ACC) system
- Auto on/off headlights
- Power folding side mirrors
- Windshield wiper de-icer
- Rain-sensing windshield wipers

GT TOURING PACKAGE – 2016 Outlander GT

- MMCS Navigation system with 7" HD touch panel, voice command, 3D mapping, point of interest information, real-time traffic updates and Mapcare[®] including 2 map updates (replaces std. audio system head unit).
- Adaptive Cruise Control (ACC) system
- Forward Collision Mitigation (FCM) System
- Lane Departure Warning (LDW) system

ALL WEATHER PACKAGE – 2016 Outlander – All Trim Levels

- Remote engine start
- All-weather floor mats (4)

CARGO MAT PACKAGE – 2016 Outlander – All Trim Levels

- Cargo mat
- Cargo net
- 3rd row floormats

CARGO TRAY PACKAGE – 2016 Outlander – All Trim Levels

- Cargo tray
- Cargo net
- 3rd row floormats

CHROME PACKAGE – 2016 Outlander SE, SEL & GT

- Door handle covers
- Side view mirror covers

ENTERTAINMENT PACKAGE – 2016 Outlander – All Trim Levels

- Rear seat DVD player
- Infrared wireless headphones (2)
- Remote control

EXTERIOR PACKAGE – 2016 Outlander – All Trim Levels

- Large rear spoiler
- Alloy fuel door
- Front, side, and rear airdams

INTERIOR PACKAGE – 2016 Outlander – All Trim Levels

- Aluminum/leather shift knob
- Piano black accent panels and door switch panels

LED ILLUMINATION PACKAGE – 2016 Outlander – All Trim Levels

- Floor illumination (Blue LED)
- Shift gate illumination (Blue LED)

NAVIGATION SYSTEM – 2016 Outlander – All Trim Levels

- MMCS Navigation system with 7" HD touch panel, voice command, 3D mapping, point of interest information, real-time traffic updates and Mapcare[®] including 2 map updates (replaces std. audio system head unit).

PROTECTION PACKAGE – 2016 Outlander – All Trim Levels

- Scuff Plates
- Rear bumper step protector
- Body side moldings
- Tailgate protector

PARK ASSIST SENSORS PACKAGE – 2016 Outlander – All Trim Levels

- Front and rear park assist sensors

TOWING PACKAGE – 2016 Outlander – All Trim Levels

- Tow hitch
- Trailer tow wire harness

ACCESSORY OPTIONS (U.S. Models)

The following port and/or dealer installed accessories are available for 2016 Outlander.

- Sunroof wind deflector (SEL & GT only)
- Roof rack crossbars
- Fog lights (ES only)
- LED Fog lights (SE, SEL, & GT only)
- Wheel locks
- Front and rear mudguards
- All weather floor mats (4)
- Tonneau cover
- Alloy fuel door
- Third row floormat
- Color keyed body side moldings
- Rear park assist sensors
- Hood protector
- Piano Black Accent Panels (ES & SE only)

WARRANTY	
U.S. and Puerto Rico	Canada
● Basic – 5 years or 60,000 miles	● Basic – 5 years or 100,000 km
● Powertrain – 10 years or 100,000 miles (original retail purchaser only). 5 years or 60,000 miles to subsequent owners.	● Powertrain – 10 years or 160,000 km
● Outer Panel Rust Perforation – 7 years or 100,000 miles	● Rust Perforation – 5 years with unlimited km
● Adjustments – 1 year or 12,000 miles	● Adjustments – 1 year or 20,000 km
● Roadside Assistance – 5 years / unlimited mi.	● Roadside Assistance – 5 years/unlimited km.
● Emissions – Refer to the Warranty and Maintenance Manual for coverage details.	