

NEWMAR CORPORATION WARRANTY DEPARTMENT

TECHNICAL SERVICE BULLETIN

DATE ISSUED	MODEL YEAR(S) AFFECTED	TSB #
12/11/2015	2004-2007	437
BRAND		
Bay Star Sport <input type="checkbox"/>	Ventana <input type="checkbox"/>	Essex <input checked="" type="checkbox"/>
Bay Star <input type="checkbox"/>	Dutch Star <input type="checkbox"/>	King Aire <input type="checkbox"/>
Canyon Star <input type="checkbox"/>	Mountain Aire <input checked="" type="checkbox"/>	Other <input type="checkbox"/>
Ventana LE <input type="checkbox"/>	London Aire <input checked="" type="checkbox"/>	

DESCRIPTION

Newmar Corporation has decided that a defect relating to motor vehicle safety exists in specific motor homes built on Spartan chassis. This recall is the result of information provided to Newmar by Spartan Motors.
 NHTSA # 15v 752 TC # 2015-534

Issue: On certain vehicles, the engine cooling fan may separate from the drive without warning. If the engine area is open and the cooling fan is operating and detaches, it could potentially cause personal injury.
 Motorhomes included in this recall include:

- 2004-2007 model year Essex Class A motor homes.
- 2005-2007 model year London Aire Class A motor homes.
- 2007-2008 model year Mountain Aire Class A motor homes.

These vehicles were manufactured by Newmar Corporation on Spartan chassis between 3/24/2003 and 3/07/2007. These motor homes require immediate service. Continued use poses a potential safety hazard.

RECOMMENDED ACTION

Correction: Contact Spartan Motors USA, Inc. Customer Product Support group to schedule an inspection and to replace the cooling fan and gear box as needed. See attached Recall Service Bulletin identified as 15v-549.

To obtain necessary parts and/or verify recall status, please call 1-800-543-4277 (opt 0) and provide the VIN number (last 8 digits) and mileage of the unit. If you have technical questions, please call Spartan Chassis Customer Product Support Department at 1-800-393-8861.

NHTSA# 15v 549

If further assistance is needed, contact Newmar Service Department @ 1-866-290-5371.

Please read this bulletin in its entirety prior to beginning any diagnosis or repairs.



Recall Service Bulletin



DATE: 12-11-15

APPLIES TO: This Recall service bulletin applies to incomplete motor home chassis models K2 and K3 built by Spartan Motors USA, Inc. between March 17, 2003 and January 15, 2007.

NHTSA/TC Id: 15V-549

CONDITION: Fan hub adapter may become loose and allow the fan assembly to come off the gearbox output shaft.

CORRECTION: Replacement of cooling fan and gear box.

LABOR ALLOCATION: Inspection only .25 hour's labor.
Complete Repair 3.0 hour's labor.

CLASSIFICATION: E3

PARTS NEEDED:

<u>QTY</u>	<u>Part Number</u>	<u>Description</u>
1	S-2507-001	Kit-Service K2/K3 Fan Drive

Kit # S-2507-001 Contains:

<u>QTY</u>	<u>Part Number</u>	<u>Description</u>
1	1177-FF1	Spacer – Fan Drive
1	1996-FF1-001	Fan 32" Sucker-CCWROT
1	2153-FF1-001	Driveshaft – 1310 DBL Cardan
1	2160-FF1-001	Gearbox – Mech. Fan Drive
1	2161-FF1-001	Miter Box Bracket
1	2162-FF1-001	End Yoke
1	2164-FF1-001	Hub-Fan
1	0716-MM5-J01	Fit Brass Bushing 4-2
1	2549-MM5-001	Pipe Nipple – 1/8" X 2" LG.
1	0722-MM5-HH01	Fit STL Coupling – 2
1	437-10	Strap Kit – 1310 Yoke
6	06160200FH8Y	Bolt-3/8-16 X 2.00 LG FLG GR8 YEL
4	07200125H8Y	Bolt-7/16-20 X 1.25 LG HEX GR8 YEL
4	07FWSAE8Y	Washer-7/16 FLAT SAE YEL
10	08130125H8Y	Bolt-1/2-13 X 1.25 LG HEX GR8 YEL
4	0813FLN8Y	Nut-1/2-13 FLG LK GR8 YEL
12	08FWSAE8Y	Washer-1/2 FLAT SAE YEL
1	RSB15-270-006	Instruction Document

Service Bulletins are intended for use by Professional Technicians only. They are written to guide Professional Technicians in performing service to vehicles of specific nature in conjunction with industry standards. Professional Technicians are appropriately trained on industry standards and have the tools and equipment to perform procedures safely and properly.



Recall Service Bulletin



GENERAL INSTRUCTIONS:

Thoroughly review entire service bulletin before starting work. If there are questions or concerns with steps defined in this service bulletin, contact Spartan Motors USA, Inc. Customer & Product Support Group. **Contact phone number 855-589-9836 Option 0.**

All applicable industry safety standards must be followed when performing work identified in this procedure.

STEP-BY-STEP INSTRUCTIONS:

Inspection Only:

1. Inspect cooling fan to determine color of fan blades.
2. Contact Spartan Motors with color of fan blades. If fan blades are black in color, no further action is required after contacting Spartan. If fan blades are not black, place part order with Spartan and schedule vehicle for repairs outlined in this service bulletin.

Removal:

1. Observe all industry safety standards, disconnect any necessary power source, and secure vehicle for replacement of mechanical fan system.
2. Remove the (4) 7/16" bolts that attach drive shaft to back of clutch. Refer to Fig. 2-1 Item #13.

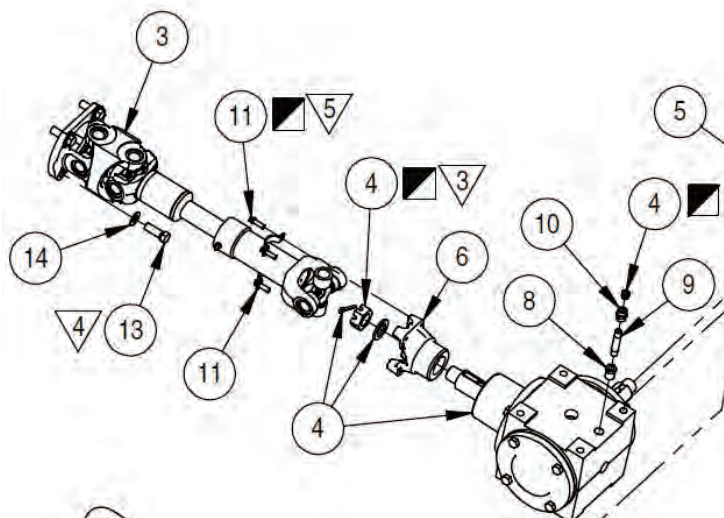


FIG. 2-1

Service Bulletins are intended for use by Professional Technicians only. They are written to guide Professional Technicians in performing service to vehicles of specific nature in conjunction with industry standards. Professional Technicians are appropriately trained on industry standards and have the tools and equipment to perform procedures safely and properly.



Recall Service Bulletin



- Remove (6) 3/8" bolts that attach cooling fan to hub on gear box. Properly dispose of bolts. Refer to Fig. 3-1 item #12.

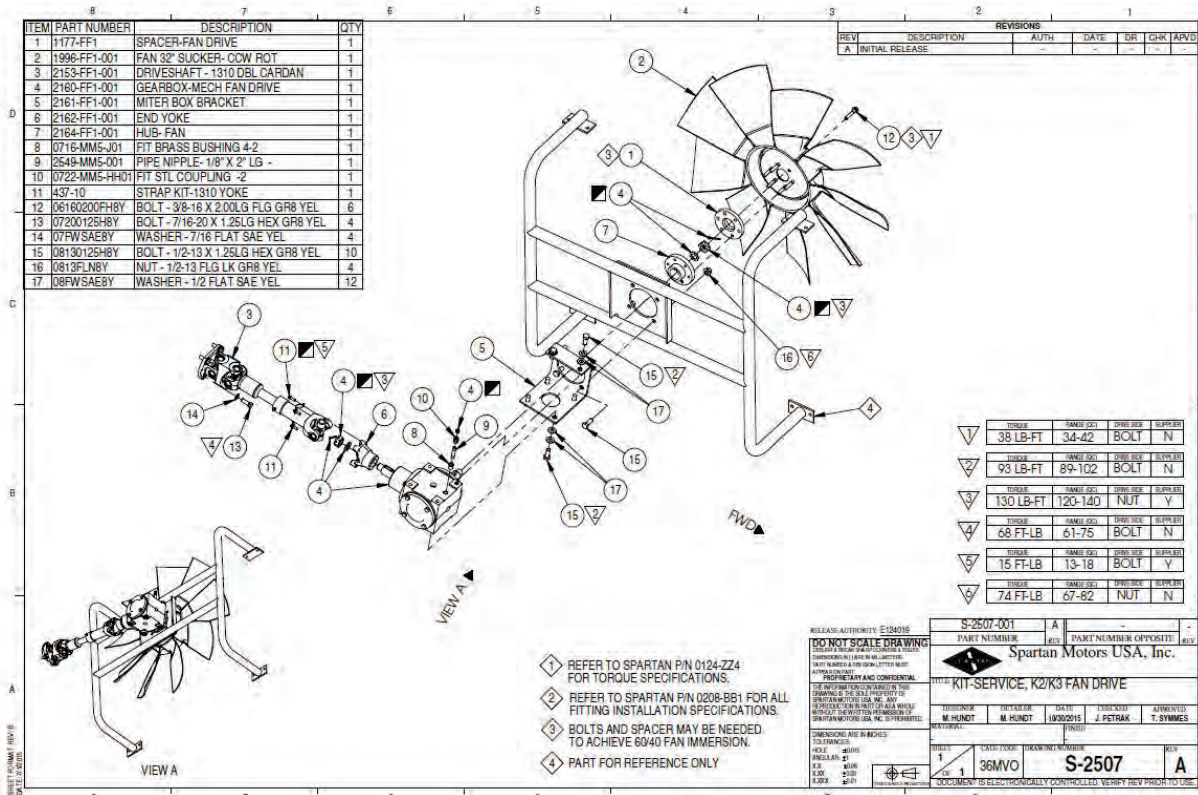


FIG. 3-1

- Remove fan assembly from vehicle and properly dispose of.
- Remove spacers between fan hub and fan. Retain for re-assembly. Refer to Fig. 3-1 item #1.

NOTE: You will need to save spacers off old fan hub.

- Remove cotter pin, castle nut, and washer that attach cooling fan to gear box and retain hardware for re-use. Refer to Fig. 4-1 item #4.

NOTE: You will need to use a puller to remove hub from tapered shaft on gear box.

Service Bulletins are intended for use by Professional Technicians only. They are written to guide Professional Technicians in performing service to vehicles of specific nature in conjunction with industry standards. Professional Technicians are appropriately trained on industry standards and have the tools and equipment to perform procedures safely and properly.



Recall Service Bulletin

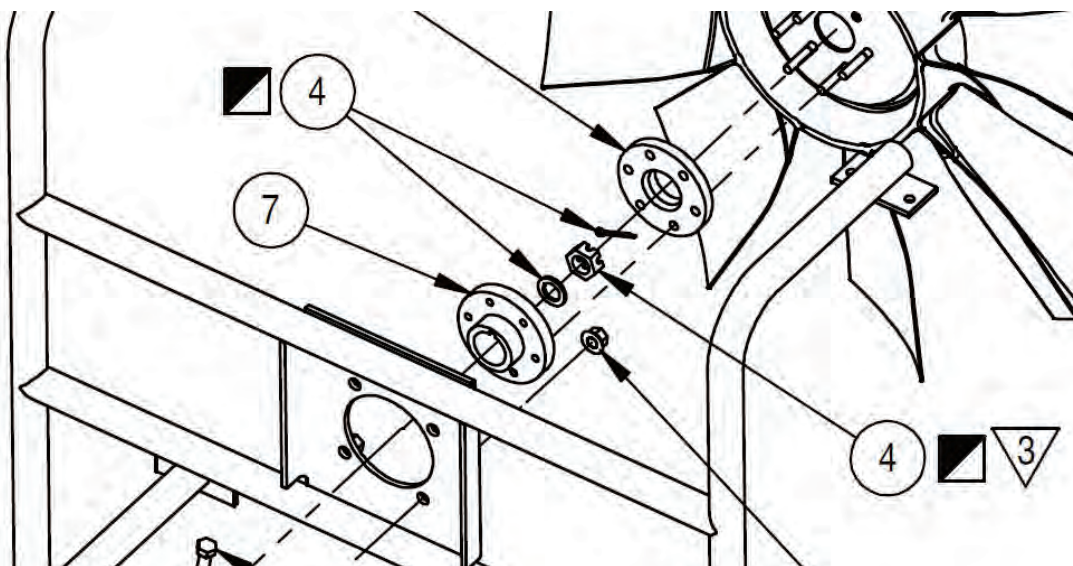


FIG. 4-1

7. Remove (4) ½" nuts from bolts that attach gear box j-bracket to spider bracket and properly dispose of nuts. Refer to Fig. 4-2 item #16.

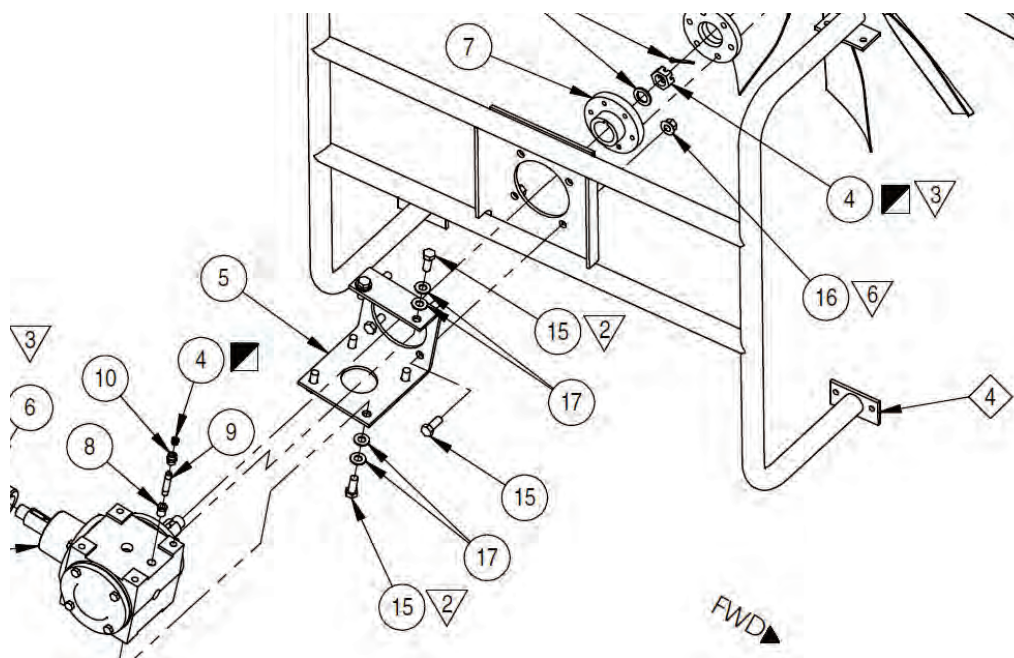


FIG. 4-2

Service Bulletins are intended for use by Professional Technicians only. They are written to guide Professional Technicians in performing service to vehicles of specific nature in conjunction with industry standards. Professional Technicians are appropriately trained on industry standards and have the tools and equipment to perform procedures safely and properly.



Recall Service Bulletin



- At this point drive shaft and gear box are attached together. You can now remove assembly from vehicle and properly dispose of. Refer to Fig. 5-1.

NOTE: This gear box assembly can sit on top of transmission cooler and be routed through the bottom of coach for removal and properly dispose of.



GEAR BOX AND DRIVE SHAFT WEIGHT IS APPROXEMENTLY 55 LBS. PLEASE FOLLOW STANDARD INDUSTRY SAFTEY REQUIREMENTS.

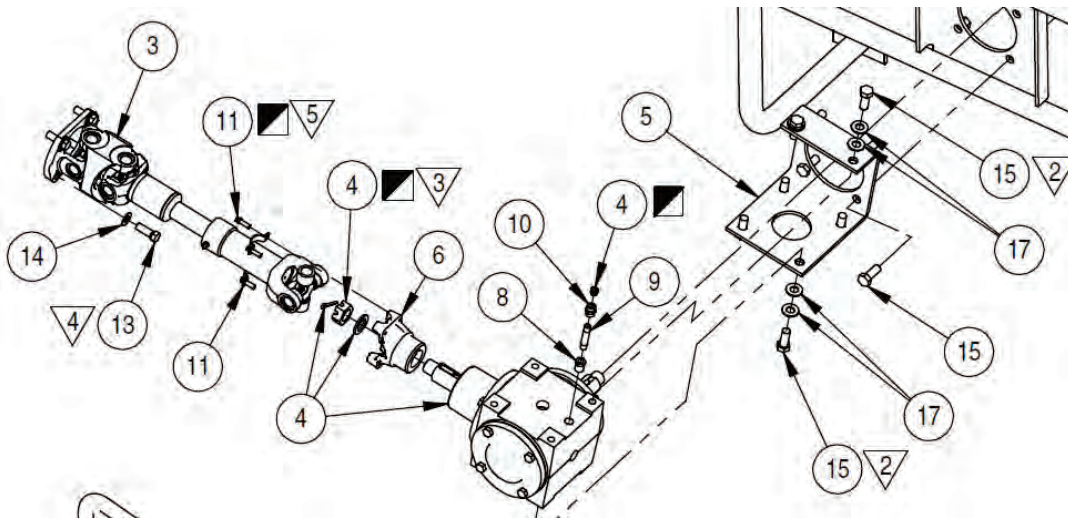


FIG. 5-1

NOTE: DURING ASSEMBLY PROCESS PLEASE REVIEW ALL BOLT TORQUE SPECIFICATION ON ASSMEBLY DRAWING IN FIG. 8-1.

Assembly performed outside of the unit:

- Install drive shaft hub to gear box, torque castle nut to **90 LB-FT** (If cotter pin holes do not line up, then tighten castle nut until first hole lines up together) and properly bend cotter pins. Refer to Fig. 8-1.

NOTE: Step one sequence will allow torque range specified to be achieved in Fig. 8-1.

- Place (4) ½" bolts in j-bracket and place a rubber band around bolts to hold them in place. Below is an example of rubber ban placement. **See Example 1 below.** The locations for placement of bolts are in **Fig. 8-1 item #15.**

Service Bulletins are intended for use by Professional Technicians only. They are written to guide Professional Technicians in performing service to vehicles of specific nature in conjunction with industry standards. Professional Technicians are appropriately trained on industry standards and have the tools and equipment to perform procedures safely and properly.



Recall Service Bulletin



NOTE: THE BELOW EXAMPLE WILL HELP YOU MOUNT J-BRACKET ASSEMBLY TO SPIDER BRACKET IN LATER STEPS.

EXAMPLE 1:



3. Install j-bracket on to gear box using (6) ½” bolts and washers. Torque bolts to **93 LB-FT.**

NOTE: Apply Loctite 242 thread locker to first five threads of bolts attaching j-bracket to fan gear box.

4. Remove Allen style fill plug on gear box and install vent assembly on gear box. Refer to Fig, 8-1 item # 8-10.

NOTE: Apply liquid thread sealant on threads of all vent fittings.

Assembly in the vehicle:

1. Install gear box and j-bracket assembly to spider bracket. Torque (4) ½” nuts **74 LB-FT.** Refer to Fig. 8-1.
2. Install fan hub to gear box, torque castle nut to **90 LB-FT** (If cotter pin holes do not line up, then tighten the castle nut until first hole lines up together) and properly bend cotter pins.

NOTE: Torque sequence in step above, will help you achieve proper torque range referenced in Fig. 8-1 item #4 with upside down triangle #3 next to it.

3. Re-install same amount of spacers as removed in step 5 above. Refer to Fig. 8-1 item #1.

Service Bulletins are intended for use by Professional Technicians only. They are written to guide Professional Technicians in performing service to vehicles of specific nature in conjunction with industry standards. Professional Technicians are appropriately trained on industry standards and have the tools and equipment to perform procedures safely and properly.



Recall Service Bulletin



4. Install cooling fan in the direction so that weights on fan are towards engine. Refer to Fig. 8-2.

NOTE: ONCE FAN IS INSTALLED, MAKE SURE FAN HAS 60/40 ENGAGEMENT DEPTH IN FAN SHROUD (60% INSIDE SHROUD). IF MORE, SPACERS NEED TO BE ADDED THIS WILL REQUIRE LONGER BOLTS. PLEASE CONTACT SPARTAN CUSTOMER PRODUCT & SUPPORT TO PLACE PART ORDER.

5. Install cooling fan to gear box hub using (6) 3/8" bolts and torque to **38 FT-LB**, in a cross pattern sequence. Refer to Fig. 8-1 item #12.

NOTE: Apply Loctite 242 thread locker to first five threads of fan attachment bolts. Ensure cooling fan is installed in correct direction.

6. Install drive shaft to fan gear box hub and torque strap bolts to **15 FT-LB**. Refer to Fig. 8-1 item #11.

7. Install other end of drive shaft to fan clutch hub, using (4) 7/16" bolts with washers and torque to **68 FT-LB**. Refer to Fig 8-1 item #13.

NOTE: Apply Loctite 242 thread locker to first five threads of fan clutch hub to drive shaft attachment bolts.

8. Re-connect any power you may have disconnected before dis-assembly of mechanical fan drive system.

Testing after repairs for proper operation of cooling fan:

1. Start vehicle.
2. With vehicle running, ensure you feel suction located on outside of vehicle at radiator area. If you feel air pushing out toward you, fan is in wrong direction, refer to step 4 under "Assembly in Vehicle" for correct fan orientation.
3. Once the cooling system direction is verified, your repairs are complete.

Service Bulletins are intended for use by Professional Technicians only. They are written to guide Professional Technicians in performing service to vehicles of specific nature in conjunction with industry standards. Professional Technicians are appropriately trained on industry standards and have the tools and equipment to perform procedures safely and properly.



Recall Service Bulletin

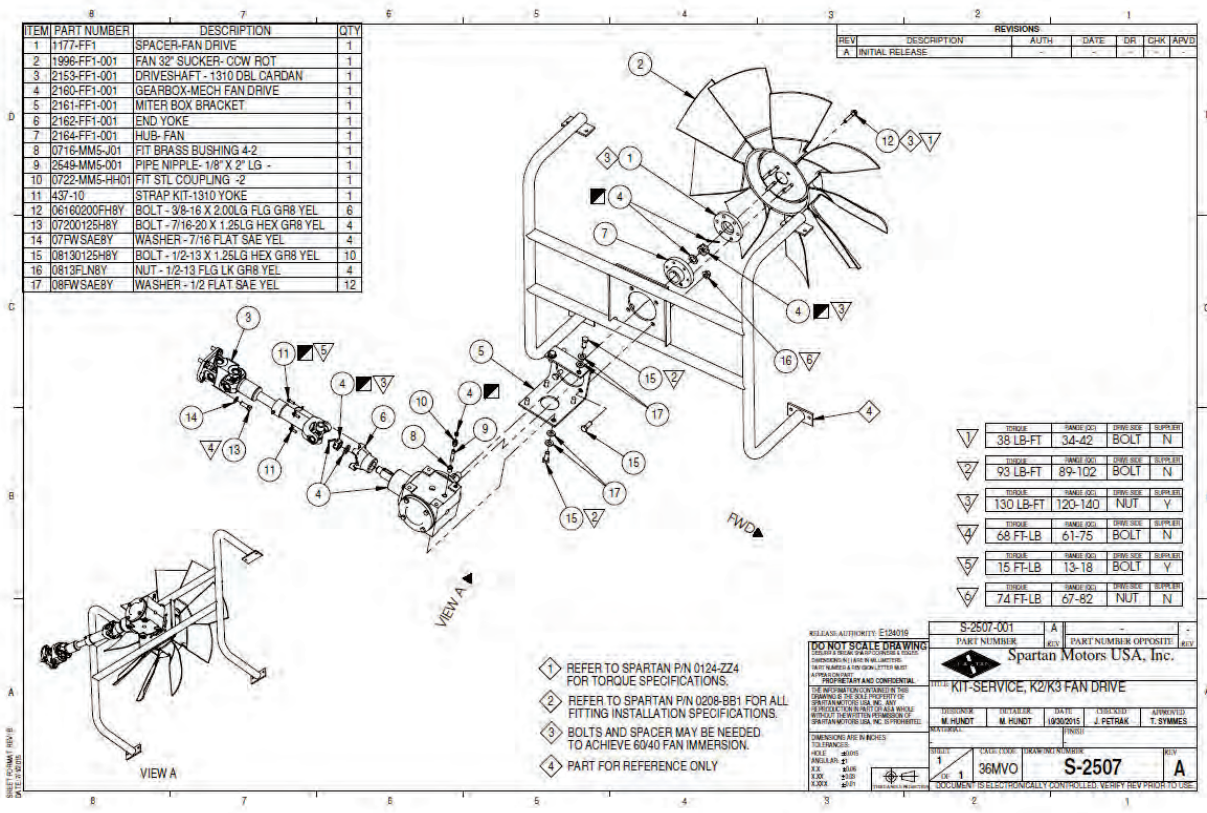
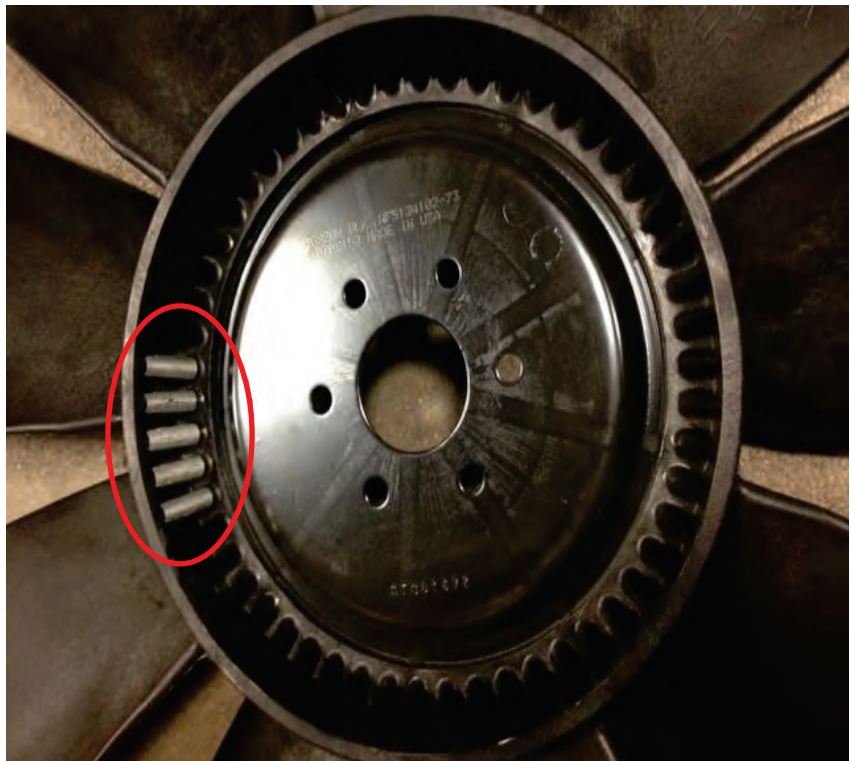


FIG. 8-1



Backside of fan, illustrating fan weights
FIG. 8-2

Service Bulletins are intended for use by Professional Technicians only. They are written to guide Professional Technicians in performing service to vehicles of specific nature in conjunction with industry standards. Professional Technicians are appropriately trained on industry standards and have the tools and equipment to perform procedures safely and properly.



WHEN YOU KNOW THE DIFFERENCE

NEWMAR CORPORATION

NEWMARCORP.COM

Date: December 1, 2015
Re: Newmar Corporation – Motor Vehicle Recall Notification

Subject: Recall Campaign No.: 15V 752

This notice is sent to you as a Newmar Dealer in accordance with the requirements of the National Traffic and Motor Vehicle Safety Act. Newmar Corporation has decided that a defect which relates to motor vehicle safety exists in specific Newmar recreational vehicles.

The National Traffic and Motor Vehicle Safety Act requires that each vehicle which is subject to a recall campaign of this type must be satisfactorily repaired within a reasonable time after the owner has tendered it for repair. A failure to adequately repair within 60 days after tender of a vehicle is prima facie evidence of failure to repair within a reasonable time. If the condition is not properly repaired within a reasonable time, the owners may be entitled to an identical or reasonably equivalent vehicle at no charge or to a refund of the purchase price less a reasonable allowance for depreciation.

To avoid providing these problematic solutions, every effort must be made to promptly schedule an appointment with each owner and to repair their vehicle as soon as possible. Vehicle owners are being notified of this recall. If the condition is not remedied within a reasonable time, they are instructed on how to contact the National Highway Traffic Safety Administration.

REASON FOR THIS RECALL

Newmar Corporation has decided that a defect which relates to motor vehicle safety exists in specific motor homes built on Spartan chassis. This recall is the result of information provided to us by Spartan Motors.

On certain vehicles, the engine cooling fan may separate from the drive without warning. If the engine area is open and the cooling fan is operating and detaches, it could potentially cause personal injury. Correction: Dealers will replace the engine fan drive at no charge.

Motorhomes included in this recall include:

- 2004-2007 model year Essex Class A motor homes.
- 2005-2007 model year London Aire Class A motor homes.
- 2007-2008 model year Mountain Aire Class A motor homes.

These vehicles were manufactured by Newmar Corporation between 3/24/2003 and 3/07/2007.

These motor homes require immediate service. Continued use poses a potential safety hazard.

DEALER CAMPAIGN RESPONSIBILITY

Dealers are to provide to all customers/owner vehicles the service of completing this campaign at no charge to the customer/owner regardless of vehicle age, vehicle mileage, or ownership at the time of repair.

REPAIR PROCEDURE

Spartan Motors will provide the work instructions.

If you should have any questions please contact the Newmar service department at: 1-866-290-5371.

Thank you for your cooperation.

Sincerely,

Newmar Corporation



WHEN YOU KNOW THE DIFFERENCE

NEWMAR CORPORATION

NEWMARCORP.COM

Date: December 1, 2015
Re: Newmar Corporation – Motor Vehicle Recall Notification

Subject: Recall Campaign No.: # 2015-534

This notice is sent to you as a Newmar Dealer in accordance with the requirements of the Canada Motor Vehicle Safety Act. Newmar Corporation has decided that a defect which relates to motor vehicle safety exists in specific Newmar recreational vehicles.

Each vehicle which is subject to a recall campaign of this type must be satisfactorily repaired within a reasonable time after the owner has tendered it for repair. A failure to adequately repair within 60 days after tender of a vehicle is prima facie evidence of failure to repair within a reasonable time. If the condition is not properly repaired within a reasonable time, the owners may be entitled to an identical or reasonably equivalent vehicle at no charge or to a refund of the purchase price less a reasonable allowance for depreciation.

To avoid providing these problematic solutions, every effort must be made to promptly schedule an appointment with each owner and to repair their vehicle as soon as possible. Vehicle owners are being notified of this recall. If the condition is not remedied within a reasonable time, they are instructed to contact Transport Canada.

REASON FOR THIS RECALL

In response to Notification from Spartan Motors, Newmar Corporation has decided that a defect which relates to motor vehicle safety exists in specific motor homes built on Spartan chassis.

On certain vehicles, the engine cooling fan may separate from the drive without warning. If the engine area is open and the cooling fan is operating and detaches, it could potentially cause personal injury. Correction: Dealers will replace the engine fan drive.

Motorhomes included in this recall include:

2006-2007 model year Essex Class A motor homes.

2007 model year Mountain Aire Class A motor homes.

These vehicles were manufactured by Newmar Corporation between 9/09/2005 and 3/01/2007.

These motor homes require immediate service. Continued use poses a potential safety hazard.

DEALER CAMPAIGN RESPONSIBILITY

Dealers are to provide to all customers/owner vehicles the service of completing this campaign at no charge to the customer/owner regardless of vehicle age, vehicle mileage, or ownership at the time of repair.

REPAIR PROCEDURE

Spartan Motors will provide the work instructions.

If you should have any questions please contact the Newmar service department at: 1-866-290-5371.

Thank you for your cooperation.

Sincerely,

Newmar Corporation

VIN Number	Production#	Model Year	Brand	Type	Flr Plan	Chassis	Date In Prod	Date Off Prod
4VZVU1E956C047618	500003	2006	LA	DB	4540	S	5/30/2005	7/8/2005
4VZVU1E955C047617	500004	2006	LA	DB	4540	S	7/25/2005	10/21/2005
4VZVU1E935C047616	500006	2005	LA	DB	4540	S	8/1/2005	11/4/2005
4VZVU1E9X7C053853	500009	2007	LA	DB	4541	S	2/23/2006	8/1/2006
4VZVU1E9X7C054257	500010	2007	LA	DB	4541	S	5/10/2006	8/21/2006
4VZVU1E907C054378	500012	2007	LA	DB	4541	S	7/20/2006	10/23/2006
4VZAT1C9X4C045381	800001	2004	EX	DP	4501	S	4/30/2003	5/5/2003
4VZAT1C984C045735	800002	2004	EX	DP	4502	S	6/24/2003	7/10/2003
4VZAT1C984C045928	800005	2004	EX	DP	4502	S	7/22/2003	7/29/2003
4VZAT1C904C045454	800007	2004	EX	DP	4501	S	6/2/2003	6/9/2003
4VZAT1C994C045520	800008	2004	EX	DP	4502	S	6/9/2003	6/16/2003
4VZAT1C9X4C045736	800010	2004	EX	DP	4503	S	6/25/2003	7/11/2003
4VZAT1C914C045687	800011	2004	EX	DP	4502	S	6/19/2003	6/25/2003
4VZAT1C924C046086	800012	2004	EX	DP	4502	S	8/4/2003	8/8/2003
4VZAT1C964C045930	800013	2004	EX	DP	4504	S	7/23/2003	8/7/2003
4VZAT1C934C045772	800014	2004	EX	DP	4502	S	7/9/2003	7/15/2003
4VZAT1C914C045897	800015	2004	EX	DP	4503	S	7/15/2003	7/22/2003
4VZAT1C904C045521	800016	2004	EX	DP	4503	S	6/10/2003	6/18/2003
4VZAT1C9X4C045557	800017	2004	EX	DP	4502	S	6/11/2003	6/19/2003
4VZAT1C914C046306	800018	2004	EX	DP	4502	S	9/3/2003	9/9/2003
4VZAT1C944C046087	800019	2004	EX	DP	4502	S	8/6/2003	8/12/2003
4VZAT1C9X4C045929	800022	2004	EX	DP	4502	S	7/23/2003	7/30/2003
4VZAT1C9X4C045896	800023	2004	EX	DP	4502	S	7/11/2003	7/21/2003
4VZAT1C964C045927	800024	2004	EX	DP	4503	S	7/17/2003	7/24/2003
4VZAT1C964C046124	800027	2004	EX	DP	4502	S	8/11/2003	8/15/2003
4VZAT1C984C045931	800028	2004	EX	DP	4504	S	7/29/2003	8/11/2003
4VZAT1C9X4C046126	800030	2004	EX	DP	4503	S	8/14/2003	8/20/2003
4VZAT1C984C046125	800031	2004	EX	DP	4502	S	8/13/2003	8/19/2003
4VZAT1C954C046308	800033	2004	EX	DP	4502	S	9/8/2003	9/12/2003
4VZAT1C944C046168	800034	2004	EX	DP	4503	S	8/18/2003	8/25/2003
4VZAT1C974C046309	800035	2004	EX	DP	4103	S	9/23/2003	9/29/2003
4VZAT1C924C046167	800036	2004	EX	DP	4502	S	8/21/2003	8/27/2003
4VZAT1C904C046247	800037	2004	EX	DP	4502	S	8/25/2003	8/29/2003
4VZAT1C964C046169	800038	2004	EX	DP	4502	S	8/19/2003	8/27/2003
4VZAT1C944C046249	800040	2004	EX	DP	4502	S	8/28/2003	9/4/2003
4VZAT1C924C046279	800041	2004	EX	DP	4504	S	9/2/2003	9/8/2003
4VZAT1C984C046349	800044	2004	EX	DP	4503	S	9/11/2003	9/19/2003
4VZAT1C944C046350	800048	2004	EX	DP	4502	S	9/16/2003	9/22/2003
4VZAT1C9X4C046482	800050	2004	EX	DP	4103	S	10/1/2003	10/7/2003
4VZAT1C914C046628	800051	2004	EX	DP	4502	S	10/22/2003	10/28/2003
4VZAT1C954C046471	800053	2004	EX	DP	4503	S	9/22/2003	9/26/2003
4VZAT1C984C046478	800054	2004	EX	DP	4502	S	10/8/2003	10/14/2003
4VZAT1C924C046525	800055	2004	EX	DP	4103	S	10/20/2003	10/24/2003
4VZAT1C964C046480	800057	2004	EX	DP	4503	S	10/6/2003	10/10/2003
4VZAT1C994C046473	800060	2004	EX	DP	4502	S	9/29/2003	10/3/2003
4VZAT1C994C046909	800064	2004	EX	DP	4502	S	12/1/2003	12/5/2003
4VZAT1C934C046629	800065	2004	EX	DP	4503	S	10/29/2003	11/4/2003
4VZAT1C974C046973	800066	2004	EX	DP	4502	S	12/4/2003	12/10/2003
4VZAT1C924C046685	800067	2004	EX	DP	4502	S	11/3/2003	11/7/2003
4VZAT1C914C046743	800068	2004	EX	DP	4502	S	11/7/2003	11/13/2003
4VZAT1C984C046481	800071	2004	EX	DP	4103	S	10/15/2003	10/21/2003
4VZAT1C9X4C046630	800073	2004	EX	DP	4502	S	10/28/2003	11/3/2003
4VZAT1C944C046803	800074	2004	EX	DP	4502	S	11/14/2003	11/20/2003
4VZAT1C994C047025	800076	2004	EX	DP	4502	S	12/15/2003	1/8/2004
4VZAT1C9X4C046627	800077	2004	EX	DP	4502	S	10/27/2003	10/31/2003
4VZAT1C934C046744	800078	2004	EX	DP	4501	S	11/10/2003	11/14/2003
4VZAT1C944C047109	800079	2004	EX	DP	4502	S	1/8/2004	1/14/2004

VIN Number	Production#	Model Year	Brand	Type	Flr Plan	Chassis	Date In Prod	Date Off Prod
4VZAT1C974C046746	800081	2004	EX	DP	4502	S	11/13/2003	11/19/2003
4VZAT1C964C046804	800082	2004	EX	DP	4502	S	11/17/2003	11/21/2003
4VZAT1C944C046686	800086	2004	EX	DP	4503	S	11/5/2003	11/11/2003
4VZAT1C954C046745	800087	2004	EX	DP	4503	S	11/12/2003	11/18/2003
4VZAT1C974C046861	800088	2004	EX	DP	4502	S	11/20/2003	11/26/2003
4VZAT1C994C046862	800089	2004	EX	DP	4502	S	11/24/2003	12/2/2003
4VZAT1C924C046864	800091	2004	EX	DP	4501	S	11/26/2003	12/4/2003
4VZAT1C904C046863	800092	2004	EX	DP	4503	S	12/2/2003	12/8/2003
4VZAT1C994C046974	800095	2004	EX	DP	4502	S	12/8/2003	12/12/2003
4VZAT1C964C047161	800097	2004	EX	DP	4502	S	1/12/2004	1/16/2004
4VZAT1C974C046908	800098	2004	EX	DP	4502	S	12/3/2003	12/9/2003
4VZAT1C984C047162	800100	2004	EX	DP	4503	S	1/13/2004	1/19/2004
4VZAT1C924C046976	800106	2004	EX	DP	4503	S	12/10/2003	12/16/2003
4VZAT1C954C047023	800107	2004	EX	DP	4502	S	12/11/2003	12/17/2003
4VZAT1C9X4C047163	800108	2004	EX	DP	4502	S	1/14/2004	1/20/2004
4VZAT1C924C047108	800109	2004	EX	DP	4502	S	12/17/2003	1/12/2004
4VZAT1C954C047359	800114	2004	EX	DP	4502	S	1/28/2004	2/3/2004
4VZAT1C934C047313	800116	2004	EX	DP	4502	S	1/22/2004	1/28/2004
4VZAT1C914C047360	800117	2004	EX	DP	4502	S	1/29/2004	2/4/2004
4VZAT1C954C047362	800121	2004	EX	DP	4502	S	2/2/2004	2/6/2004
4VZAT1C9X4C047406	800122	2004	EX	DP	4502	S	2/9/2004	2/17/2004
4VZAT1C964C047452	800124	2004	EX	DP	4502	S	2/12/2004	2/20/2004
4VZAT1C914C047455	800125	2004	EX	DP	4502	S	2/20/2004	2/26/2004
4VZAT1C944C047529	800126	2004	EX	DP	4503	S	3/2/2004	3/9/2004
4VZAT1C944C047403	800127	2004	EX	DP	4502	S	2/6/2004	2/12/2004
4VZAT1C904C047527	800130	2004	EX	DP	4502	S	2/24/2004	3/2/2004
4VZAT1C955C047170	800136	2005	EX	DP	4104	S	5/3/2004	5/11/2004
4VZAT1C905C046816	800137	2005	EX	DP	4502	S	4/1/2004	4/13/2004
4VZAT1C925C046817	800138	2005	EX	DP	4503	S	4/7/2004	4/16/2004
4VZAT1C945C046818	800139	2005	EX	DP	4505	S	4/15/2004	4/28/2004
4VZAT1C975C047171	800140	2005	EX	DP	4503	S	5/5/2004	5/13/2004
4VZAT1C924C047528	800141	2004	EX	DP	4501	S	2/25/2004	3/3/2004
4VZAT1C9X4C047454	800142	2004	EX	DP	4503	S	2/18/2004	2/24/2004
4VZAT1C924C047531	800143	2004	EX	DP	4502	S	3/9/2004	3/16/2004
4VZAT1C994C047560	800145	2004	EX	DP	4502	S	3/15/2004	3/22/2004
4VZAT1C924C047559	800146	2004	EX	DP	4501	S	3/11/2004	3/18/2004
4VZAT1C904C047656	800149	2004	EX	DP	4503	S	3/22/2004	3/29/2004
4VZAT1C944C047658	800150	2004	EX	DP	4502	S	3/25/2004	4/1/2004
4VZAT1C964C047659	800157	2004	EX	DP	4503	S	4/5/2004	4/14/2004
4VZAT1C964C047726	800158	2004	EX	DP	4502	S	4/16/2004	4/22/2004
4VZAT1C944C047725	800159	2004	EX	DP	4502	S	4/14/2004	4/20/2004
4VZAT1C964C047788	800161	2004	EX	DP	4503	S	4/27/2004	5/4/2004
4VZAT1C944C047787	800162	2004	EX	DP	4502	S	4/22/2004	4/29/2004
4VZAT1C9X4C047728	800163	2004	EX	DP	4502	S	4/20/2004	4/26/2004
4VZAT1C994C046747	800164	2004	EX	DP	4103	S	4/29/2004	5/10/2004
4VZAT1C984C047789	800165	2004	EX	DP	4501	S	4/28/2004	5/5/2004
4VZAT1C934C047862	800166	2004	EX	DP	4504	S	5/4/2004	5/12/2004
4VZAT1C954C046860	800167	2004	EX	DP	4502	S	5/17/2004	5/25/2004
4VZAT1C904C047835	800169	2004	EX	DP	4502	S	5/12/2004	5/21/2004
4VZAT1C924C046802	800170	2004	EX	DP	4502	S	5/11/2004	5/18/2004
4VZAT1C924C047836	800172	2004	EX	DP	4502	S	5/5/2004	5/13/2004
4VZAT1C995C047995	800175	2005	EX	DP	4503	S	5/18/2004	6/1/2004
4VZAT1C915C048039	800177	2005	EX	DP	4103	S	5/21/2004	6/1/2004
4VZAT1C925C047997	800178	2005	EX	DP	4502	S	5/27/2004	6/7/2004
4VZAT1C945C048570	800182	2005	EX	DP	4502	S	6/29/2004	7/14/2004
4VZAT1C945C048830	800183	2005	EX	DP	4103	S	7/22/2004	7/28/2004
4VZAT1C945C048567	800184	2005	EX	DP	4503	S	6/23/2004	6/29/2004

VIN Number	Production#	Model Year	Brand	Type	Flr Plan	Chassis	Date In Prod	Date Off Prod
4VZAT1C985C048409	800186	2005	EX	DP	4502	S	6/8/2004	6/15/2004
4VZAT1C985C048037	800187	2005	EX	DP	4502	S	5/25/2004	6/2/2004
4VZAT1C965C048120	800190	2005	EX	DP	4506	S	6/9/2004	6/16/2004
4VZAT1C985C048247	800191	2005	EX	DP	4503	S	6/7/2004	6/14/2004
4VZAT1C925C048714	800193	2005	EX	DP	4502	S	7/13/2004	7/19/2004
4VZAT1C9X5C048119	800194	2005	EX	DP	4503	S	6/2/2004	6/7/2004
4VZAT1C945C048410	800196	2005	EX	DP	4503	S	6/10/2004	6/17/2004
4VZAT1C965C048411	800199	2005	EX	DP	4502	S	6/9/2004	6/17/2004
4VZAT1C985C048412	800202	2005	EX	DP	4503	S	6/14/2004	6/18/2004
4VZAT1C935C048480	800204	2005	EX	DP	4503	S	6/15/2004	6/21/2004
4VZAT1C965C048568	800207	2005	EX	DP	4502	S	6/25/2004	7/12/2004
4VZAT1C975C048644	800208	2005	EX	DP	4503	S	6/30/2004	7/15/2004
4VZAT1C995C048998	800209	2005	EX	DP	4502	S	8/3/2004	8/9/2004
4VZAT1C945C048715	800210	2005	EX	DP	4502	S	7/14/2004	7/20/2004
4VZAT1C905C048825	800212	2005	EX	DP	4502	S	7/16/2004	7/22/2004
4VZAT1C915C048879	800213	2005	EX	DP	4104	S	8/11/2004	8/17/2004
4VZAT1C985C048717	800214	2005	EX	DP	4502	S	7/19/2004	7/23/2004
4VZAT1C925C049099	800217	2005	EX	DP	4502	S	8/24/2004	8/31/2004
4VZAT1C905C048646	800218	2005	EX	DP	4503	S	7/23/2004	7/29/2004
4VZAT1C905C048873	800219	2005	EX	DP	4502	S	7/30/2004	8/5/2004
4VZAT1C945C048827	800220	2005	EX	DP	4505	S	8/12/2004	8/18/2004
4VZAT1C945C048875	800221	2005	EX	DP	4503	S	8/5/2004	8/12/2004
4VZAT1C995C048757	800222	2005	EX	DP	4104	S	7/26/2004	7/30/2004
4VZAT1C985C048829	800223	2005	EX	DP	4505	S	7/29/2004	8/4/2004
4VZAT1C985C047969	800224	2005	EX	DP	4502	S	8/2/2004	8/6/2004
4VZAT1C905C048999	800226	2005	EX	DP	4505	S	8/6/2004	8/13/2004
4VZAT1C995C048872	800228	2005	EX	DP	4503	S	7/28/2004	8/3/2004
4VZAT1C915C049000	800232	2005	EX	DP	4502	S	8/9/2004	8/16/2004
4VZAT1C925C048874	800233	2005	EX	DP	4505	S	8/4/2004	8/11/2004
4VZAT1C915C049059	800236	2005	EX	DP	4505	S	8/23/2004	8/30/2004
4VZAT1C985C049057	800237	2005	EX	DP	4502	S	8/18/2004	8/25/2004
4VZAT1C965C049056	800238	2005	EX	DP	4502	S	8/17/2004	8/24/2004
4VZAT1C975C049101	800241	2005	EX	DP	4502	S	9/1/2004	9/9/2004
4VZAT1C945C049167	800242	2005	EX	DP	4502	S	9/14/2004	9/21/2004
4VZAT1C985C049060	800243	2005	EX	DP	4502	S	8/23/2004	8/30/2004
4VZAT1C995C049102	800245	2005	EX	DP	4502	S	8/31/2004	9/8/2004
4VZAT1C965C049008	800246	2005	EX	DP	4103	S	8/26/2004	9/2/2004
4VZAT1C955C049100	800247	2005	EX	DP	4502	S	9/2/2004	9/13/2004
4VZAT1C925C049166	800249	2005	EX	DP	4502	S	9/9/2004	9/16/2004
4VZAT1C985C049480	800253	2005	EX	DP	4503	S	9/30/2004	10/11/2004
4VZAT1C925C049071	800254	2005	EX	DP	4103	S	9/22/2004	9/29/2004
4VZAT1C985C049396	800258	2005	EX	DP	4502	S	9/21/2004	9/28/2004
4VZAT1C965C049395	800259	2005	EX	DP	4502	S	9/27/2004	10/4/2004
4VZAT1C9X5C049397	800260	2005	EX	DP	4502	S	9/29/2004	10/7/2004
4VZAT1C945C049573	800261	2005	EX	DP	4104	S	10/12/2004	10/20/2004
4VZAT1C985C049589	800262	2005	EX	DP	4502	S	10/20/2004	10/27/2004
4VZAT1C925C049751	800264	2005	EX	DP	4502	S	11/5/2004	11/16/2004
4VZAT1C935C049483	800265	2005	EX	DP	4502	S	10/6/2004	10/14/2004
4VZAT1C9X5C049481	800266	2005	EX	DP	4505	S	10/4/2004	10/12/2004
4VZAT1C925C049782	800267	2005	EX	DP	4103	S	10/27/2004	11/4/2004
4VZAT1C915C050096	800271	2005	EX	DP	4505	S	11/15/2004	11/22/2004
4VZAT1C925C049930	800274	2005	EX	DP	4503	S	11/8/2004	11/16/2004
4VZAT1C9X5C049657	800276	2005	EX	DP	4503	S	10/28/2004	11/5/2004
4VZAT1C915C049658	800277	2005	EX	DP	4502	S	10/28/2004	11/5/2004
4VZAT1C995C049780	800279	2005	EX	DP	4505	S	11/4/2004	11/10/2004
4VZAT1C965C049932	800284	2005	EX	DP	4502	S	11/15/2004	11/19/2004
4VZAT1C985C050130	800285	2005	EX	DP	4103	S	11/11/2004	11/18/2004

VIN Number	Production#	Model Year	Brand	Type	Flr Plan	Chassis	Date In Prod	Date Off Prod
4VZAT1C9X5C051327	800286	2005	EX	DP	4502	S	2/22/2005	3/7/2005
4VZAT1C985C050001	800288	2005	EX	DP	4502	S	11/18/2004	11/29/2004
4VZAT1C905C049781	800290	2005	EX	DP	4503	S	11/9/2004	11/17/2004
4VZAT1C915C050129	800297	2005	EX	DP	4502	S	11/23/2004	12/2/2004
4VZAT1C945C050481	800301	2005	EX	DP	4502	S	12/3/2004	12/10/2004
4VZAT1C965C050482	800304	2005	EX	DP	4502	S	12/9/2004	1/3/2005
4VZAT1C985C050483	800305	2005	EX	DP	4503	S	12/8/2004	12/15/2004
4VZAT1C9X5C050484	800306	2005	EX	DP	4502	S	12/10/2004	1/4/2005
4VZAT1C9X5C050775	800313	2005	EX	DP	4502	S	1/21/2005	1/28/2005
4VZAT1C9X5C050677	800314	2005	EX	DP	4502	S	1/11/2005	1/18/2005
4VZAT1C915C050776	800315	2005	EX	DP	4502	S	1/24/2005	1/31/2005
4VZAT1C935C050097	800316	2005	EX	DP	4503	S	1/17/2005	1/24/2005
4VZAT1C985C050774	800317	2005	EX	DP	4502	S	1/20/2005	1/27/2005
4VZAT1C965C050773	800318	2005	EX	DP	4503	S	1/19/2005	1/26/2005
4VZAT1C9X5C050680	800320	2005	EX	DP	4502	S	1/12/2005	1/19/2005
4VZAT1C985C051326	800321	2005	EX	DP	4503	S	2/18/2005	3/2/2005
4VZAT1C985C051293	800323	2005	EX	DP	4502	S	2/8/2005	2/15/2005
4VZAT1C935C050777	800324	2005	EX	DP	4502	S	1/25/2005	2/1/2005
4VZAT1C995C051089	800326	2005	EX	DP	4502	S	1/31/2005	2/7/2005
4VZAT1C955C050991	800327	2005	EX	DP	4502	S	1/26/2005	2/2/2005
4VZAT1C995C051190	800328	2005	EX	DP	4503	S	2/2/2005	2/14/2005
4VZAT1C935C050990	800329	2005	EX	DP	4503	S	1/27/2005	2/3/2005
4VZAT1C925C051189	800330	2005	EX	DP	4502	S	2/4/2005	2/16/2005
4VZAT1C985C051505	800333	2005	EX	DP	4502	S	2/28/2005	3/9/2005
4VZAT1C915C050681	800336	2005	EX	DP	4104	S	2/21/2005	3/1/2005
4VZAT1C915C051507	800337	2005	EX	DP	4502	S	3/9/2005	3/16/2005
4VZAT1C9X5C051294	800338	2005	EX	DP	4503	S	2/9/2005	2/16/2005
4VZAT1C935C051296	800339	2005	EX	DP	4502	S	2/16/2005	2/23/2005
4VZAT1C9X5C051506	800340	2005	EX	DP	4502	S	3/2/2005	3/10/2005
4VZAT1C915C051295	800341	2005	EX	DP	4502	S	2/11/2005	2/18/2005
4VZAT1C965C051325	800343	2005	EX	DP	4502	S	2/17/2005	2/24/2005
4VZAT1C955C051509	800346	2005	EX	DP	4502	S	3/11/2005	3/21/2005
4VZAT1C9X6C052253	800348	2006	EX	DP	4503	S	5/23/2005	6/11/2005
4VZAT1C915C051720	800349	2005	EX	DP	4502	S	3/30/2005	4/6/2005
4VZAT1C935C051721	800350	2005	EX	DP	4502	S	4/1/2005	4/11/2005
4VZAT1C955C051722	800357	2005	EX	DP	4502	S	3/31/2005	4/7/2005
4VZAT1C975C051723	800359	2005	EX	DP	4503	S	4/4/2005	4/13/2005
4VZAT1C945C051775	800361	2005	EX	DP	4506	S	4/22/2005	5/2/2005
4VZAT1C905C051725	800362	2005	EX	DP	4502	S	4/7/2005	4/19/2005
4VZAT1C925C051774	800364	2005	EX	DP	4502	S	4/14/2005	4/25/2005
4VZAT1C965C051891	800366	2005	EX	DP	4502	S	5/6/2005	5/16/2005
4VZAT1C985C051892	800368	2005	EX	DP	4503	S	5/9/2005	5/17/2005
4VZAT1C926C052392	800372	2006	EX	DP	4502	S	6/2/2005	6/8/2005
4VZAT1C986C052252	800374	2006	EX	DP	4502	S	5/19/2005	5/26/2005
4VZAT1C996C052390	800377	2006	EX	DP	4103	S	6/21/2005	6/28/2005
4VZAT1C916C052593	800379	2006	EX	DP	4502	S	6/15/2005	6/22/2005
4VZAT1C926C052313	800380	2006	EX	DP	4502	S	5/23/2005	6/2/2005
4VZAT1C946C052314	800382	2006	EX	DP	4503	S	5/25/2005	6/6/2005
4VZAT1C956C052869	800386	2006	EX	DP	4502	S	6/28/2005	7/14/2005
4VZAT1C966C052315	800387	2006	EX	DP	4502	S	6/1/2005	6/8/2005
4VZAT1C936C052515	800388	2006	EX	DP	4502	S	6/8/2005	6/15/2005
4VZAT1C906C052990	800389	2006	EX	DP	4503	S	7/25/2005	8/2/2005
4VZAT1C946C053284	800390	2006	EX	DP	4502	S	8/9/2005	8/17/2005
4VZAT1C906C053489	800391	2006	EX	DP	4502	S	8/30/2005	9/8/2005
4VZAT1C996C052809	800392	2006	EX	DP	4502	S	7/13/2005	7/20/2005
4VZAT1C986C052591	800393	2006	EX	DP	4502	S	6/13/2005	6/20/2005
4VZAT1C946C052748	800394	2006	EX	DP	4502	S	6/29/2005	7/12/2005

VIN Number	Production#	Model Year	Brand	Type	Flr Plan	Chassis	Date In Prod	Date Off Prod
4VZAT1C946C052989	800395	2006	EX	DP	4502	S	7/21/2005	8/1/2005
4VZAT1C9X6C052592	800399	2006	EX	DP	4502	S	6/14/2005	6/21/2005
4VZAT1C956C052693	800401	2006	EX	DP	4502	S	6/20/2005	6/27/2005
4VZAT1C916C052691	800402	2006	EX	DP	4502	S	6/16/2005	6/23/2005
4VZAT1C936C052692	800403	2006	EX	DP	4503	S	6/16/2005	6/23/2005
4VZAT1C926C053283	800404	2006	EX	DP	4502	S	8/8/2005	8/16/2005
4VZAT1C926C053199	800405	2006	EX	DP	4502	S	7/28/2005	8/4/2005
4VZAT1C976C052873	800408	2006	EX	DP	4502	S	7/14/2005	7/20/2005
4VZAT1C936C052871	800409	2006	EX	DP	4503	S	6/29/2005	7/18/2005
4VZAT1C986C052963	800412	2006	EX	DP	4503	S	7/20/2005	7/28/2005
4VZAT1C956C053200	800415	2006	EX	DP	4502	S	7/28/2005	8/8/2005
4VZAT1C986C053594	800419	2006	EX	DP	4502	S	9/6/2005	9/13/2005
4VZAT1C926C052991	800420	2006	EX	DP	4502	S	7/26/2005	8/3/2005
4VZAT1C976C053201	800423	2006	EX	DP	4502	S	8/1/2005	8/9/2005
4VZAT1C976C053361	800425	2006	EX	DP	4502	S	8/10/2005	8/18/2005
4VZAT1C926C052960	800427	2006	EX	DP	4503	S	7/14/2005	7/21/2005
4VZAT1C906C053203	800428	2006	EX	DP	4502	S	8/3/2005	8/11/2005
4VZAT1C916C053758	800431	2006	EX	DP	4502	S	9/28/2005	10/6/2005
4VZAT1C926C053817	800432	2006	EX	DP	4503	S	9/28/2005	10/18/2005
4VZAT1C936C053907	800433	2006	EX	DP	4502	S	10/17/2005	10/25/2005
4VZAT1C976C053599	800437	2006	EX	DP	4508	S	9/14/2005	9/21/2005
4VZAT1C946C053365	800439	2006	EX	DP	4502	S	8/17/2005	8/29/2005
4VZAT1C926C053364	800440	2006	EX	DP	4508	S	8/15/2005	8/23/2005
4VZAT1C986C053434	800442	2006	EX	DP	4503	S	8/18/2005	8/29/2005
4VZAT1C996C053698	800447	2006	EX	DP	4502	S	9/15/2005	9/22/2005
4VZAT1C956C053701	800451	2006	EX	DP	4503	S	9/22/2005	9/29/2005
4VZAT1C936C053597	800452	2006	EX	DP	4502	S	9/9/2005	9/19/2005
4VZAT1C916C053596	800453	2006	EX	DP	4508	S	9/8/2005	9/15/2005
4VZAT1C956C053598	800454	2006	EX	DP	4502	S	9/13/2005	9/20/2005
4VZAT1C916C053761	800459	2006	EX	DP	4503	S	10/4/2005	10/12/2005
4VZAT1C996C053703	800462	2006	EX	DP	4508	S	9/26/2005	10/4/2005
4VZAT1C946C053818	800464	2006	EX	DP	4502	S	10/11/2005	10/19/2005
4VZAT1C996C053815	800469	2006	EX	DP	4502	S	10/5/2005	10/13/2005
4VZAT1C906C053816	800470	2006	EX	DP	4508	S	10/5/2005	10/17/2005
4VZAT1C956C053942	800476	2006	EX	DP	4508	S	10/25/2005	11/2/2005
4VZAT1C976C053943	800477	2006	EX	DP	4503	S	10/26/2005	11/3/2005
4VZAT1C916C054019	800478	2006	EX	DP	4502	S	11/7/2005	11/15/2005
4VZAT1C976C054056	800483	2006	EX	DP	4502	S	11/10/2005	11/21/2005
4VZAT1C996C054060	800486	2006	EX	DP	4503	S	11/16/2005	12/1/2005
4VZAT1C986C054020	800487	2006	EX	DP	4502	S	11/8/2005	11/16/2005
4VZAT1C996C054107	800494	2006	EX	DP	4502	S	11/29/2005	12/6/2005
4VZAT1C9X6C054164	800495	2006	EX	DP	4502	S	11/30/2005	12/7/2005
4VZAT1C936C054278	800497	2006	EX	DP	4502	S	12/9/2005	12/19/2005
4VZAT1C916C054165	800498	2006	EX	DP	4502	S	12/2/2005	12/12/2005
4VZAT1C916C054277	800499	2006	EX	DP	4502	S	12/8/2005	12/16/2005
4VZAT1C906C054416	800501	2006	EX	DP	4508	S	12/19/2005	1/13/2006
4VZAT1C966C054467	800502	2006	EX	DP	4502	S	1/17/2006	1/25/2006
4VZAT1C936C054359	800504	2006	EX	DP	4502	S	12/16/2005	1/12/2006
4VZAT1C926C054417	800505	2006	EX	DP	4502	S	1/10/2006	1/17/2006
4VZAT1C986C054468	800506	2006	EX	DP	4508	S	1/24/2006	1/31/2006
4VZAT1C946C054466	800507	2006	EX	DP	4502	S	1/16/2006	1/24/2006
4VZAT1C996C054768	800508	2006	EX	DP	4508	S	1/27/2006	2/6/2006
4VZAT1C926C054465	800509	2006	EX	DP	4503	S	1/12/2006	1/23/2006
4VZAT1C926C054739	800510	2006	EX	DP	4502	S	1/25/2006	2/1/2006
4VZAT1C946C055164	800515	2006	EX	DP	4502	S	3/8/2006	3/16/2006
4VZAT1C946C054418	800519	2006	EX	DP	4508	S	1/11/2006	1/18/2006
4VZAT1C936C054507	800520	2006	EX	DP	4503	S	1/30/2006	2/7/2006

VIN Number	Production#	Model Year	Brand	Type	Flr Plan	Chassis	Date In Prod	Date Off Prod
4VZAT1C956C054606	800523	2006	EX	DP	4508	S	2/1/2006	2/9/2006
4VZAT1C906C054769	800524	2006	EX	DP	4508	S	2/6/2006	2/13/2006
4VZAT1C926C055163	800525	2006	EX	DP	4508	S	3/7/2006	3/15/2006
4VZAT1C927C054354	800527	2007	EX	DP	4502	S	1/18/2006	1/27/2006
4VZAT1C947C054355	800528	2007	EX	DP	4510	S	1/26/2006	2/9/2006
4VZAT1C906C054738	800529	2006	EX	DP	4508	S	2/2/2006	2/10/2006
4VZAT1C976C054770	800532	2006	EX	DP	4502	S	2/7/2006	2/14/2006
4VZAT1C9X6C054505	800533	2006	EX	DP	4502	S	2/9/2006	2/20/2006
4VZAT1C966C055392	800535	2006	EX	DP	4508	S	3/21/2006	3/29/2006
4VZAT1C946C054970	800536	2006	EX	DP	4508	S	2/24/2006	3/9/2006
4VZAT1C976C054882	800537	2006	EX	DP	4508	S	2/21/2006	3/1/2006
4VZAT1C986C054826	800539	2006	EX	DP	4508	S	2/13/2006	2/22/2006
4VZAT1C996C054771	800540	2006	EX	DP	4502	S	2/10/2006	2/21/2006
4VZAT1C976C054879	800541	2006	EX	DP	4502	S	2/15/2006	2/24/2006
4VZAT1C9X6C054827	800543	2006	EX	DP	4502	S	2/14/2006	2/23/2006
4VZAT1C946C055178	800546	2006	EX	DP	4502	S	3/13/2006	3/21/2006
4VZAT1C926C055180	800548	2006	EX	DP	4503	S	3/16/2006	3/24/2006
4VZAT1C966C054971	800549	2006	EX	DP	4502	S	2/23/2006	3/3/2006
4VZAT1C996C055032	800551	2006	EX	DP	4502	S	3/3/2006	3/13/2006
4VZAT1C9X6C055279	800553	2006	EX	DP	4508	S	3/20/2006	3/28/2006
4VZAT1C947C055666	800557	2007	EX	DP	4510	S	4/25/2006	5/3/2006
4VZAT1C986C055281	800568	2006	EX	DP	4503	S	3/27/2006	4/4/2006
4VZAT1C987C055668	800573	2007	EX	DP	4508	S	5/2/2006	5/10/2006
4VZAU1C9X7C056804	800585	2007	EX	DP	4502	S	7/27/2006	8/8/2006
4VZAT1C977C056357	800593	2007	EX	DP	4510	S	6/6/2006	6/13/2006
4VZAU1C9X7C057029	800594	2007	EX	DP	4502	S	8/1/2006	8/10/2006
4VZAT1C937C056503	800598	2007	EX	DP	4502	S	6/16/2006	6/23/2006
4VZAT1C9X7C055669	800602	2007	EX	DP	4510	S	4/28/2006	5/8/2006
4VZAT1C987C056139	800603	2007	EX	DP	4502	S	6/1/2006	6/9/2006
4VZAT1C907C055938	800604	2007	EX	DP	4502	S	5/18/2006	5/30/2006
4VZAT1C957C056356	800605	2007	EX	DP	4502	S	6/8/2006	6/19/2006
4VZAT1C927C055939	800608	2007	EX	DP	4508	S	5/23/2006	6/5/2006
4VZAT1C937C055867	800615	2007	EX	DP	4502	S	5/19/2006	6/9/2006
4VZAT1C987C056027	800621	2007	EX	DP	4508	S	5/30/2006	6/6/2006
4VZAT1C997C056442	800626	2007	EX	DP	4502	S	6/14/2006	6/22/2006
4VZAT1C907C056443	800628	2007	EX	DP	4510	S	6/12/2006	6/21/2006
4VZAT1C987C056626	800629	2007	EX	DP	4502	S	6/20/2006	6/28/2006
4VZAT1C967C056625	800630	2007	EX	DP	4508	S	6/19/2006	6/27/2006
4VZAT1C917C056502	800631	2007	EX	DP	4510	S	6/15/2006	6/23/2006
4VZAT1C907C056703	800633	2007	EX	DP	4502	S	7/12/2006	7/20/2006
4VZAU1C917C056805	800638	2007	EX	DP	4508	S	7/26/2006	8/7/2006
4VZAU1C987C056736	800641	2007	EX	DP	4508	S	7/20/2006	7/31/2006
4VZAU1C987C056705	800646	2007	EX	DP	4508	S	7/19/2006	7/27/2006
4VZAU1C917C056738	800647	2007	EX	DP	4502	S	7/21/2006	8/1/2006
4VZAU1C967C056945	800652	2007	EX	DP	4502	S	8/10/2006	8/22/2006
4VZAU1C987C057031	800653	2007	EX	DP	4510	S	8/17/2006	8/29/2006
4VZAT1C997C055517	800659	2007	EX	DP	4104	S	8/28/2006	9/7/2006
4VZAU1C937C057390	800663	2007	EX	DP	4508	S	9/21/2006	10/3/2006
4VZAU1C987C057675	800668	2007	EX	DP	4502	S	9/13/2006	9/26/2006
4VZAU1C9X7C057144	800669	2007	EX	DP	4502	S	9/26/2006	10/5/2006
4VZAU1C977C057392	800672	2007	EX	DP	4502	S	9/27/2006	10/12/2006
4VZAU1C987C057143	800673	2007	EX	DP	4508	S	10/4/2006	10/17/2006
4VZAU1C9X7C057676	800675	2007	EX	DP	4502	S	10/9/2006	10/18/2006
4VZAU1C917C057677	800678	2007	EX	DP	4502	S	10/19/2006	11/1/2006
4VZAU1C917C058070	800680	2007	EX	DP	4502	S	11/6/2006	11/15/2006
4VZAU1C917C058361	800681	2007	EX	DP	4502	S	11/14/2006	11/28/2006
4VZAU1C937C058071	800683	2007	EX	DP	4502	S	11/7/2006	11/16/2006

VIN Number	Production#	Model Year	Brand	Type	Flr Plan	Chassis	Date In Prod	Date Off Prod
4VZAU1C917C058506	800688	2007	EX	DP	4502	S	11/29/2006	12/7/2006
4VZAU1C937C057745	800689	2007	EX	DP	4510	S	10/24/2006	11/6/2006
4VZAU1C947C059407	800695	2007	EX	DP	4510	S	2/8/2007	2/19/2007
4VZAU1C917C059011	800712	2007	EX	DP	4510	S	1/22/2007	1/31/2007
4VZAU1C927C059406	800714	2007	EX	DP	4502	S	2/6/2007	2/20/2007
4VZAU1C927C059292	800715	2007	EX	DP	4502	S	2/5/2007	2/16/2007
4VZAU1C937C059012	800716	2007	EX	DP	4508	S	1/30/2007	2/8/2007
4VZAU1C957C059156	800717	2007	EX	DP	4510	S	2/19/2007	3/1/2007
4VZAU1C937C059155	800718	2007	EX	DP	4502	S	1/31/2007	2/12/2007
4VZAU1C997C059449	800720	2007	EX	DP	4502	S	2/12/2007	2/20/2007
4VZAU1C967C058548	800722	2007	EX	DP	4103	S	2/19/2007	2/28/2007
4VZAU1C967C059294	800724	2007	EX	DP	4508	S	2/22/2007	3/7/2007
4VZAU1C967C058887	800726	2007	EX	DP	4502	S	2/16/2007	2/27/2007
4VZAT1C9X3C044696	901026	2004	EX	DP	4502	S	3/24/2003	3/31/2003
4VZAT1C913C044697	901027	2004	EX	DP	4502	S	4/22/2003	4/28/2003
4VZAT1C914C045382	901217	2004	EX	DP	4502	S	5/12/2003	5/20/2003
4VZAT1C917C054345	903379	2007	MA	DP	4523	S	1/19/2006	1/27/2006
4VZAT1C937C054346	903381	2007	MA	DP	4528	S	1/24/2006	1/31/2006
4VZAT1C957C054347	903389	2007	MA	DP	4522	S	1/27/2006	2/6/2006
4VZAT1C927C055519	903440	2007	MA	DP	4521	S	3/29/2006	4/11/2006
4VZAT1C907C055521	903441	2007	MA	DP	4523	S	4/3/2006	4/12/2006
4VZAT1C927C055522	903444	2007	MA	DP	4528	S	4/4/2006	4/18/2006
4VZAT1C977C055760	903445	2007	MA	DP	4528	S	4/18/2006	4/26/2006
4VZAT1C927C055875	903446	2007	MA	DP	4523	S	4/28/2006	5/8/2006
4VZAT1C947C055943	903447	2007	MA	DP	4523	S	5/5/2006	5/15/2006
4VZAT1C917C055589	903448	2007	MA	DP	4521	S	4/4/2006	4/13/2006
4VZAT1C937C055593	903449	2007	MA	DP	4523	S	4/10/2006	4/20/2006
4VZAT1C977C055872	903452	2007	MA	DP	4528	S	4/27/2006	5/5/2006
4VZAT1C967C055765	903454	2007	MA	DP	4528	S	4/20/2006	4/28/2006
4VZAT1C957C055871	903457	2007	MA	DP	4523	S	4/26/2006	5/3/2006
4VZAT1C907C055941	903458	2007	MA	DP	4521	S	5/1/2006	5/9/2006
4VZAT1C907C056507	903460	2007	MA	DP	4121	S	6/5/2006	6/13/2006
4VZAT1C9X7C055588	903463	2007	MA	DP	4121	S	5/2/2006	5/10/2006
4VZAT1C9X7C055672	903466	2007	MA	DP	4523	S	4/11/2006	4/21/2006
4VZAT1C9X7C055591	903470	2007	MA	DP	4523	S	4/6/2006	4/18/2006
4VZAT1C907C055762	903471	2007	MA	DP	4523	S	4/19/2006	4/27/2006
4VZAT1C917C055592	903472	2007	MA	DP	4523	S	4/6/2006	4/19/2006
4VZAT1C937C055674	903474	2007	MA	DP	4528	S	4/12/2006	4/24/2006
4VZAT1C977C055676	903475	2007	MA	DP	4523	S	4/13/2006	4/24/2006
4VZAT1C987C055590	903480	2007	MA	DP	4528	S	4/7/2006	4/19/2006
4VZAT1C997C055520	903485	2007	MA	DP	4528	S	3/30/2006	4/11/2006
4VZAT1C957C055675	903488	2007	MA	DP	4523	S	4/13/2006	4/25/2006
4VZAT1C957C055868	903489	2007	MA	DP	4523	S	4/21/2006	4/28/2006
4VZAT1C937C055870	903492	2007	MA	DP	4523	S	4/25/2006	5/3/2006
4VZAT1C927C055942	903495	2007	MA	DP	4528	S	5/4/2006	5/11/2006
4VZAT1C937C056033	903496	2007	MA	DP	4523	S	5/10/2006	5/18/2006
4VZAT1C977C055869	903503	2007	MA	DP	4523	S	4/27/2006	5/4/2006
4VZAT1C977C056035	903511	2007	MA	DP	4523	S	5/8/2006	5/16/2006
4VZAT1C907C056037	903513	2007	MA	DP	4528	S	5/15/2006	5/23/2006
4VZAT1C997C056036	903514	2007	MA	DP	4522	S	5/12/2006	5/22/2006
4VZAT1C917C056144	903515	2007	MA	DP	4523	S	5/22/2006	6/2/2006
4VZAT1C937C056145	903520	2007	MA	DP	4523	S	6/8/2006	6/16/2006
4VZAT1C907C056510	903521	2007	MA	DP	4121	S	6/15/2006	6/23/2006
4VZAT1C977C056150	903523	2007	MA	DP	4521	S	6/16/2006	6/26/2006
4VZAT1C977C056259	903524	2007	MA	DP	4522	S	6/21/2006	6/28/2006
4VZAT1C997C056263	903530	2007	MA	DP	4523	S	6/28/2006	7/18/2006
4VZAT1C907C056264	903531	2007	MA	DP	4521	S	7/11/2006	7/18/2006

VIN Number	Production#	Model Year	Brand	Type	Flr Plan	Chassis	Date In Prod	Date Off Prod
4VZAT1C997C056358	903532	2007	MA	DP	4523	S	7/12/2006	7/20/2006
4VZAT1C937C056260	903533	2007	MA	DP	4521	S	6/23/2006	7/13/2006
4VZAT1C997C056361	903534	2007	MA	DP	4528	S	7/14/2006	7/24/2006
4VZAT1C977C056360	903535	2007	MA	DP	4521	S	7/13/2006	7/21/2006
4VZAT1C907C056359	903536	2007	MA	DP	4523	S	7/13/2006	7/21/2006
4VZAT1C907C056362	903537	2007	MA	DP	4523	S	7/14/2006	7/24/2006
4VZAT1C987C056366	903540	2007	MA	DP	4521	S	7/18/2006	7/26/2006
4VZAT1C947C056364	903541	2007	MA	DP	4523	S	7/18/2006	7/26/2006
4VZAT1C927C056444	903544	2007	MA	DP	4523	S	7/26/2006	8/7/2006
4VZAT1C907C057396	903550	2007	MA	DP	4528	S	9/13/2006	9/25/2006
4VZAT1C967C056446	903551	2007	MA	DP	4522	S	7/31/2006	8/9/2006
4VZAT1C987C056514	903556	2007	MA	DP	4528	S	8/16/2006	8/28/2006
4VZAT1C967C056513	903557	2007	MA	DP	4523	S	8/15/2006	8/24/2006
4VZAT1C917C057147	903562	2007	MA	DP	4523	S	9/5/2006	9/13/2006
4VZAT1C927C056511	903570	2007	MA	DP	4121	S	8/28/2006	9/7/2006
4VZAT1C987C057145	903571	2007	MA	DP	4523	S	8/29/2006	9/11/2006
4VZAT1C9X7C057146	903572	2007	MA	DP	4528	S	8/30/2006	9/12/2006
4VZAT1C997C057395	903573	2007	MA	DP	4528	S	9/13/2006	9/25/2006
4VZAT1C927C057688	903574	2007	MA	DP	4523	S	9/12/2006	9/21/2006
4VZAT1C907C057687	903575	2007	MA	DP	4528	S	9/18/2006	9/27/2006
4VZAT1C937C057148	903576	2007	MA	DP	4528	S	9/11/2006	9/20/2006
4VZAT1C917C057679	903578	2007	MA	DP	4523	S	9/19/2006	9/28/2006
4VZAT1C987C057680	903580	2007	MA	DP	4523	S	9/20/2006	10/2/2006
4VZAT1C907C058029	903582	2007	MA	DP	4523	S	9/26/2006	10/9/2006
4VZAT1C927C057898	903584	2007	MA	DP	4523	S	9/25/2006	10/4/2006
4VZAT1C937C058073	903585	2007	MA	DP	4528	S	10/9/2006	10/18/2006
4VZAT1C917C058072	903586	2007	MA	DP	4528	S	10/2/2006	10/17/2006
4VZAT1C977C057749	903587	2007	MA	DP	4528	S	10/12/2006	10/23/2006
4VZAT1C927C058324	903589	2007	MA	DP	4521	S	10/16/2006	10/25/2006
4VZAT1C917C058363	903592	2007	MA	DP	4528	S	10/19/2006	10/31/2006
4VZAT1C957C058365	903594	2007	MA	DP	4523	S	10/25/2006	11/6/2006
4VZAT1C9X7C058362	903595	2007	MA	DP	4528	S	10/18/2006	10/30/2006
4VZAT1C907C058323	903597	2007	MA	DP	4523	S	10/16/2006	10/24/2006
4VZAT1C987C058439	903599	2007	MA	DP	4121	S	10/24/2006	11/2/2006
4VZAT1C947C058437	903601	2007	MA	DP	4523	S	11/6/2006	11/15/2006
4VZAT1C907C058435	903602	2007	MA	DP	4528	S	10/26/2006	11/7/2006
4VZAT1C997C058949	903607	2007	MA	DP	4528	S	11/28/2006	12/6/2006
4VZAT1C947C058891	903614	2007	MA	DP	4523	S	11/16/2006	11/29/2006
4VZAT1C947C058552	903615	2007	MA	DP	4521	S	11/13/2006	11/22/2006
4VZAT1C937C058509	903619	2007	MA	DP	4528	S	11/8/2006	11/20/2006
4VZAT1C967C058892	903622	2007	MA	DP	4528	S	11/21/2006	12/1/2006
4VZAT1C9X7C058894	903624	2007	MA	DP	4523	S	11/22/2006	12/5/2006
4VZAT1C977C058951	903626	2007	MA	DP	4523	S	12/1/2006	12/13/2006
4VZAT1C957C059015	903629	2007	MA	DP	4523	S	12/6/2006	12/18/2006
4VZAT1C997C059017	903633	2007	MA	DP	4521	S	12/12/2006	1/10/2007
4VZAT1C977C059016	903634	2007	MA	DP	4523	S	12/7/2006	12/19/2006
4VZAT1C937C059160	903640	2007	MA	DP	4523	S	12/14/2006	1/11/2007
4VZAT1C967C059296	903649	2007	MA	DP	4528	S	1/11/2007	1/22/2007
4VZAT1C947C059295	903650	2007	MA	DP	4528	S	12/19/2006	1/16/2007
4VZAT1C968C057632	903651	2008	MA	DP	4528	S	1/10/2007	1/18/2007
4VZAT1C988C057633	903652	2008	MA	DP	4529	S	1/18/2007	1/30/2007
4VZAT1C9X7C059298	903653	2007	MA	DP	4523	S	1/12/2007	1/23/2007
4VZAT1C987C059316	903654	2007	MA	DP	4528	S	1/22/2007	1/31/2007
4VZAT1C9X7C059317	903655	2007	MA	DP	4523	S	1/22/2007	1/31/2007
4VZAT1C917C059402	903656	2007	MA	DP	4528	S	1/31/2007	2/13/2007
4VZAT1C917C059318	903657	2007	MA	DP	4522	S	1/22/2007	1/31/2007
4VZAT1C9X7C059401	903658	2007	MA	DP	4523	S	1/30/2007	2/8/2007

VIN Number	Production#	Model Year	Brand	Type	Flr Plan	Chassis	Date In Prod	Date Off Prod
4VZAT1C977C059372	903659	2007	MA	DP	4528	S	1/23/2007	2/1/2007
4VZAT1C947C059300	903661	2007	MA	DP	4523	S	1/23/2007	2/5/2007
4VZAT1C967C059301	903662	2007	MA	DP	4528	S	1/24/2007	2/5/2007
4VZAT1C9X8C057634	903664	2008	MA	DP	4530	S	1/24/2007	2/15/2007
4VZAT1C987C059400	903665	2007	MA	DP	4528	S	1/29/2007	2/7/2007
4VZAT1C918C057635	903666	2008	MA	DP	4523	S	1/25/2007	2/6/2007
4VZAT1C917C059450	903667	2007	MA	DP	4523	S	2/19/2007	2/27/2007
4VZAT1C957C059452	903669	2007	MA	DP	4528	S	2/5/2007	2/15/2007
4VZAT1C937C059451	903671	2007	MA	DP	4523	S	2/1/2007	2/13/2007

Canadian Units

4VZAT1C936C050778	800446	2006	EX	DP	4103	S	9/9/2005	9/19/2005
4VZAT1C976C054235	800465	2006	EX	DP	4103	S	12/1/2005	12/8/2005
4VZAT1C976C053814	800466	2006	EX	DP	4104	S	10/19/2005	10/27/2005
4VZAT1C956C054234	800468	2006	EX	DP	4104	S	11/9/2005	11/17/2005
4VZAT1C917C055866	800565	2007	EX	DP	4502	S	4/26/2006	5/4/2006
4VZAT1C907C055759	800582	2007	EX	DP	4502	S	5/1/2006	5/9/2006
4VZAT1C967C056138	800589	2007	EX	DP	4502	S	5/10/2006	5/18/2006
4VZAT1C947C056140	800596	2007	EX	DP	4502	S	5/30/2006	6/8/2006
4VZAU1C927C057140	800625	2007	EX	DP	4502	S	7/25/2006	8/3/2006
4VZAU1C957C056807	800637	2007	EX	DP	4502	S	7/14/2006	7/24/2006
4VZAU1C947C058242	800690	2007	EX	DP	4508	S	11/1/2006	11/14/2006
4VZAU1C907C058433	800694	2007	EX	DP	4502	S	11/21/2006	12/4/2006
4VZAU1C977C058946	800701	2007	EX	DP	4502	S	12/18/2006	1/15/2007
4VZAT1C997C055873	903468	2007	MA	DP	4523	S	4/19/2006	4/26/2006
4VZAT1C987C055945	903508	2007	MA	DP	4521	S	5/3/2006	5/10/2006
4VZAT1C987C056142	903516	2007	MA	DP	4522	S	5/18/2006	5/31/2006
4VZAT1C927C056265	903560	2007	MA	DP	4528	S	8/23/2006	9/5/2006
4VZAT1C957C057748	903563	2007	MA	DP	4522	S	9/5/2006	9/14/2006
4VZAT1C927C058890	903608	2007	MA	DP	4523	S	11/29/2006	12/7/2006
4VZAT1C967C058889	903609	2007	MA	DP	4528	S	11/16/2006	11/30/2006
4VZAT1C927C058436	903613	2007	MA	DP	4522	S	11/2/2006	11/14/2006
4VZAT1C977C058948	903627	2007	MA	DP	4521	S	11/30/2006	12/12/2006
4VZAT1C997C058952	903631	2007	MA	DP	4523	S	12/5/2006	12/15/2006
4VZAT1C957C059371	903647	2007	MA	DP	4521	S	2/6/2007	3/1/2007