



SP 2-423-001
SERVICE PROGRAM

August, 2015

ATTENTION:

Service Managers / Parts Managers

SUBJECT:

The addition of a debris shield to the fuel management module (FMM) on certain model year 2014 and 2015 Xpeditors equipped with a factory installed FMM.

DESCRIPTION OF WORK:

This Service Program provides information regarding the installation of a debris shield to the fuel management module (FMM).

PROGRAM EXPIRES:

August 31, 2016

VEHICLES AFFECTED:

This Service Program covers 167 vehicles. Refer to the VIN list beginning on page 6.

SERVICE RESPONSIBILITY:

Parts for this Service Program will be shipped at no charge by Autocar. Labor for this Service Program will not be reimbursed by Autocar. Obtain the vehicle owner's permission to proceed, with labor at the owner's expense.

SERVICE PROGRAM INFORMATION:

Service Programs are product modifications and/or product improvements that Autocar has determined will enhance the operation of the truck. In a continuing effort to inform our customers of potential service issues and avoid unnecessary down time, Autocar has identified the following operation as recommended preventive maintenance.

This Service Program should be added to your preventive maintenance and service manuals.

While being committed to continuous product improvement, Autocar is not liable for updating existing chassis after they have been placed in service.

Questions regarding this Service Program should be directed to Autocar Technical Support at 888-218-3611.

TO OBTAIN PARTS:

Ensure that you have authorization from the customer to perform this work, and send an e-mail to:

warranty@autocartruck.com

Include:

1. VIN(s) (or) (last 6 digits of the VIN(s))
2. Attention To (Name}
3. Ship To Address

SP 2-423-001

SERVICE PROGRAM

August, 2015

REQUIRED PARTS:

- (1) S4220001K001 FMM debris shield kit
- (1) A4220025-001 FMM debris shield
- (1) S4220001-001 Latch
- (1) S4220002K002 Hardware service kit
 - (2) GE281925BK01 Locknut 1/4"
 - (2) GE410425AE12 Screw 1/4"
 - (4) GE811625NB01 Washer

CLAIMS FOR REIMBURSEMENT:

Parts for this Service Program will be shipped at no charge by Autocar. Labor for this Service Program will not be reimbursed by Autocar. Obtain the vehicle owner's permission to proceed, with labor at the owner's expense.

CLAIM CODING INFORMATION:

N/A

REQUIRED TOOLS:

- 1/2" Combination wrench
- 3/8" Drive torque wrench
- 3/8" Drive 1/2" socket
- #1 Philips screwdriver
- 7/16" Combination wrench
- 3/8" Drive 7/16" socket
- Jack stand



WARNING

Allow the vehicle's engine and cooling system to cool to ambient temperature before performing the repair procedure. A hot engine or cooling assembly may cause burns or other personal injury.



WARNING

To prevent eye injury, always wear eye protection when performing vehicle maintenance, service or inspection.



WARNING

Before working on a vehicle, set the parking brake, place the transmission in neutral and block the wheels. Failure to do so can result in unexpected vehicle movement and can cause serious personal injury or death.



SP 2-423-001 SERVICE PROGRAM

August, 2015

SAFETY NOTICES



CAUTION

LOCKOUT/TAGOUT PROCEDURES

Before entering the vehicle or vehicle body, read and follow OSHA regulations concerning entry and working in "CONFINED SPACE" OSHA 1910.146 and "LOCKOUT/TAGOUT" OSHA 1910.147. Follow OSHA regulations while performing any work on the vehicle. The vehicle must be disabled by the following steps before performing any work on the vehicle:

1. Place the transmission in NEUTRAL.
2. Set the parking brake.
3. Shut the engine OFF.
4. Lock cab doors, keep the key in your pocket. Block the wheels before entering the body or performing any work on the vehicle.
5. Turn the battery disconnect switch OFF, if equipped.
6. Completely drain the air from the primary/A system and secondary/B system by opening the drain valves on the air tanks themselves or by using the drain manifold if supplied. When draining the air tanks, do not look into the area where air is draining. Dirt or sludge particles may be expelled in the air stream and can cause eye injury.
7. Place magnetic "DANGER" signs on both cab doors before entering the body or performing any work on the vehicle.
8. Take proper precautions before working under the vehicle. Use ramps approved for the weight of your vehicle, or use floor jacks and stands. Never work under a vehicle supported by jacks alone. Always use jack stands to support the vehicle.



WARNING

Autocar natural gas powered vehicles require specific compliance in the service, storage and refueling procedures.

If you store or dispense Compressed Natural Gas (CNG) or Liquid Natural Gas (LNG), or if you work on CNG or LNG trucks, your location must be fully compliant with applicable codes, regulations and standards, including National Fire Protection Association (NFPA) codes, Society of Automotive Engineers (SAE) standards, American National Standards Institute (ANSI), Natural Gas Vehicle (NGV) standards, the United States Code of Federal Regulations (CFR), and your state and local fire and other applicable codes (including the California Code of Regulations and the Texas Administrative Code, as applicable).

Contact your local fire department for guidance and additional compliance information. Technicians working on Autocar trucks with CNG or LNG engines must be trained in the proper repair of CNG and LNG engines and the safe storage and dispensing of CNG and LNG.

SP 2-423-001

SERVICE PROGRAM

August, 2015

INSTALLATION INSTRUCTIONS FOR THE FUEL MANAGEMENT MODULE DEBRIS SHIELD

1. Locate the fuel management module (FMM) (see *Figure 1*).
2. Using the appropriate jack stand, support the fuel management module.
3. Remove the 2 mounting screws and set aside for reinstallation (see *Figure 1*).

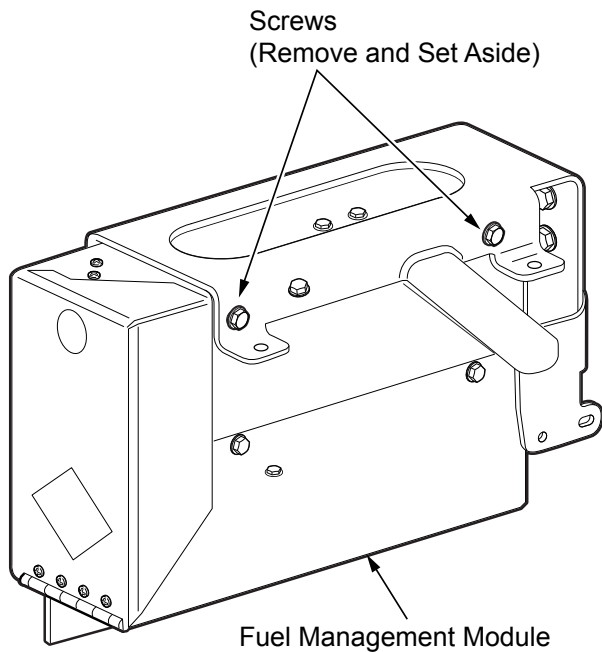


Figure 1

4. Pull down the fuel management module door, exposing the rear of the push latch. Using a #1 Philips screwdriver, remove the two screws and discard. Remove the back of the push latch and discard. Remove the washer and set aside for reinstallation. Remove the front of the push latch and discard (see *Figure 2*).

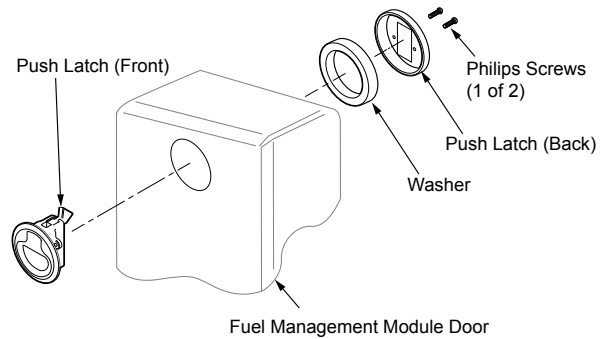


Figure 2

SP 2-423-001 SERVICE PROGRAM

August, 2015

5. Utilizing the washer set aside in step 4, install the new push latch (S4220001-001) (see *Figure 3*).
6. Align the debris shield (A4220025-001) with the screw holes from step 3 and reinstall the 2 screws removed in step 3 (see *Figure 3*).
7. Install 2 screws (GE410425AE12) with 2 washers (GE811625NB01) and 2 locknuts (GE281925BK01) with 2 washers (GE811625NB01) to both sides of the debris shield (see *Figure 3*).

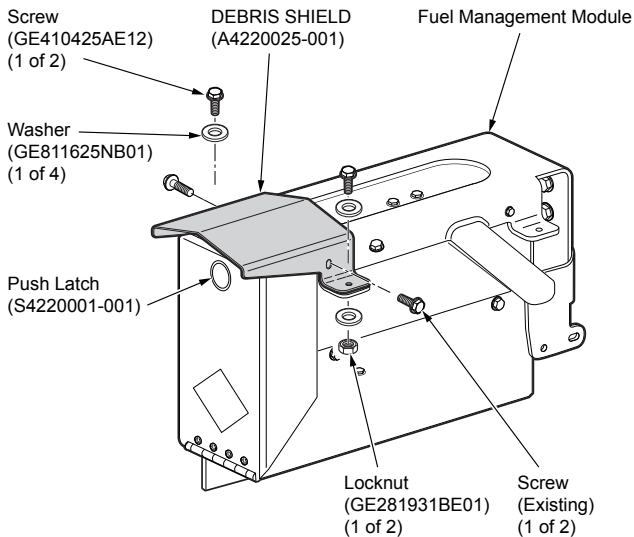


Figure 3

8. Installation is complete.



SP 2-423-001
SERVICE PROGRAM
August, 2015

5VCACDLE9EH216547	5VCACSLE2EH216586	5VCACLLE4EH217163	5VCACRLE5FH217872
5VCACDLE0EH216548	5VCACSLE4EH216587	5VCACLLE6EH217164	5VCACRLE7FH217873
5VCACDLE2EH216549	5VCACSLE8EH216589	5VCACLLE8EH217165	5VCACRLE4FH217913
5VCACDLE9EH216550	5VCACSLE4EH216590	5VCACLLEXEH217166	5VCACRLE6FH217914
5VCACDLE0EH216551	5VCACSLE6EH216591	5VCACLLE1EH217167	5VCACRLE8FH217915
5VCACDLE2EH216552	5VCACSLE8EH216592	5VCACLLE3EH217168	5VCACRLEXFH217916
5VCACDLE4EH216553	5VCACSLEXEH216609	5VCACLLE5EH217169	5VCACRLE1FH217917
5VCACDLE6EH216554	5VCACSLE6EH216610	5VCACLLE1EH217170	5VCACRLE3FH217918
5VCACDLE8EH216555	5VCACSLE8EH216611	5VCACLLE3EH217171	5VCACRLE5FH217919
5VCACDLEXEH216556	5VCA3SLE8EH216625	5VCACLLE5EH217172	5VCACRLE1FH217920
5VCACDLE1EH216557	5VCACRLEXEH216747	5VCACLLE7EH217173	5VCACRLE3FH217921
5VCACDLE3EH216558	5VCACSLE7EH216650	5VCACLLE9EH217174	5VCACRLE5FH217922
5VCACDLE5EH216559	5VCACSLE9EH216651	5VCACLLE0EH217175	5VCACRLE7FH217923
5VCACDLE1EH216560	5VCACRLE9EH217050	5VCACLLE2EH217176	5VCACRLE9FH217924
5VCACDLE3EH216561	5VCACRLE0EH217051	5VCACLLE4EH217177	5VCACRLE3FH217899
5VCACDLE5EH216562	5VCACRLE2EH217052	5VCACDLE9EH217441	5VCACRLE6FH217900
5VCACDLE7EH216563	5VCACRLE4EH217053	5VCACDLE0EH217442	5VCACRLE8FH217901
5VCACDLE9EH216564	5VCACRLE6EH217054	5VCACLLE1EH217654	5VCACRLEXFH217902
5VCACDLE0EH216565	5VCACRLE8EH217055	5VCACLLE3EH217655	5VCACRLE1FH217903
5VCACDLE2EH216566	5VCACRLEXEH217056	5VCACLLE5EH217656	5VCACRLE3FH217904
5VCACDLE4EH216567	5VCACRLE1EH217057	5VCACLLE7EH217657	5VCACRLE5FH217905
5VCACDLE6EH216568	5VCACRLE3EH217058	5VCACLLE9EH217658	5VCACRLE7FH217906
5VCACDLE8EH216569	5VCACRLE5EH217059	5VCACLLE0EH217659	5VCACRLE9FH217907
5VCACDLE4EH216570	5VCACRLE1EH217060	5VCACLLE7EH217660	5VCACRLE0FH217908
5VCACDLE6EH216571	5VCACRLE3EH217061	5VCACLLE9EH217661	5VCACRLE2FH217909
5VCACDLE8EH216572	5VCACRLE5EH217062	5VCACLLE0EH217662	5VCACRLE9FH217910
5VCACDLEXEH216573	5VCACRLE7EH217063	5VCACLLE2EH217663	5VCACRLE0FH217911
5VCACDLE1EH216574	5VCACRLE9EH217064	5VCACLLE4EH217664	5VCACRLE2FH217912
5VCACSLE3EH216578	5VCACRLE0EH217065	5VCACLLE6EH217665	5VCACLSF6FH217984
5VCACSLE5EH216579	5VCACRLE2EH217066	5VCACLLE8EH217666	5VCACLSF8FH217985
5VCACSLE1EH216580	5VCACRLE4EH217067	5VCACLLEXEH217667	5VCACRLEXFH217933
5VCACSLE3EH216581	5VCACRLE6EH217068	5VCACLLE1EH217668	5VCACRLE1FH217934
5VCACSLE5EH216582	5VCACRLE8EH217069	5VCACLLE3EH217669	5VCACLLE2FH217986
5VCACSLE7EH216583	5VCACRLE4EH217070	5VCACLLEXEH217670	5VCACLLE4FH217987
5VCACSLE9EH216584	5VCACLLE0EH217161	5VCACLLE1EH217671	5VCACLLE6FH217988
5VCACSLE0EH216585	5VCACLLE2EH217162	5VCACLLE7FH217871	5VCACDLE0FH217989



SP 2-423-001
SERVICE PROGRAM
August, 2015

- 5VCACRLE7FH218022
- 5VCACLE2FH218023
- 5VCACRLE5FH218035
- 5VCACRLE7FH218036
- 5VCACRLE9FH218099
- 5VCACDLE2FH218237
- 5VCACDLE4FH218238
- 5VCACDLE6FH218239
- 5VCACDLE2FH218240
- 5VCACDLE4FH218241
- 5VCACDLE6FH218242
- 5VCACLE4FH218248
- 5VCACRLE2FH218249
- 5VCACRLE9FH218250
- 5VCACSLE1FH218251
- 5VCACSLE3FH218252
- 5VCACSLE5FH218253
- 5VCA3SLE5FH218270
- 5VCA3SLE7FH218271
- 5VCA3SLE9FH218272
- 5VCACLSF6FH218326
- 5VCACRLE5FH218410
- 5VCACRLE7FH218411