



Countries: BAHAMAS, BOLIVIA, BELIZE, CANADA, CHILE, TAIWAN, COLOMBIA, COSTA RICA, DOMINICAN REPUBLIC, ECUADOR, EL SALVADOR, TRINIDAD AND TOBAGO, UNITED STATES, URUGUAY, VENEZUELA, ARUBA, NICARAGUA, PERU, PUERTO RICO, Curaçao, GUAM, GUATEMALA, GUYANA, HAITI, HONDURAS, JAMAICA, KOREA, SOUTH KOREA, PANAMA

Document ID: IK1900080

Availability: ISIS, FleetISIS

Major System: ACCESSORIES

Current Language: English

Other Languages: [Français](#), [Español](#)

Viewed: 634

Revision: 3

Created: 2/21/2008

Last Modified: 11/10/2015

Author: David Horner

[Less Info](#)

Hide Details

Coding Information

<p>Copy Link</p>	<p>Copy Relative Link</p>	<p>Bookmark</p> <p>View My Bookmarks</p>	<p>Add to Favorites</p>	<p>Print</p>	<p>Provide Feedback</p>	<p>Helpful</p> <p>84</p>	<p>Not Helpful</p> <p>160</p>
-------------------------	----------------------------------	---	--------------------------------	---------------------	--------------------------------	---------------------------------	--------------------------------------

Title: Prostar Eaton VORAD VS-400 Side Display Inop

Applies To: Prostar Eaton VORAD VS-400

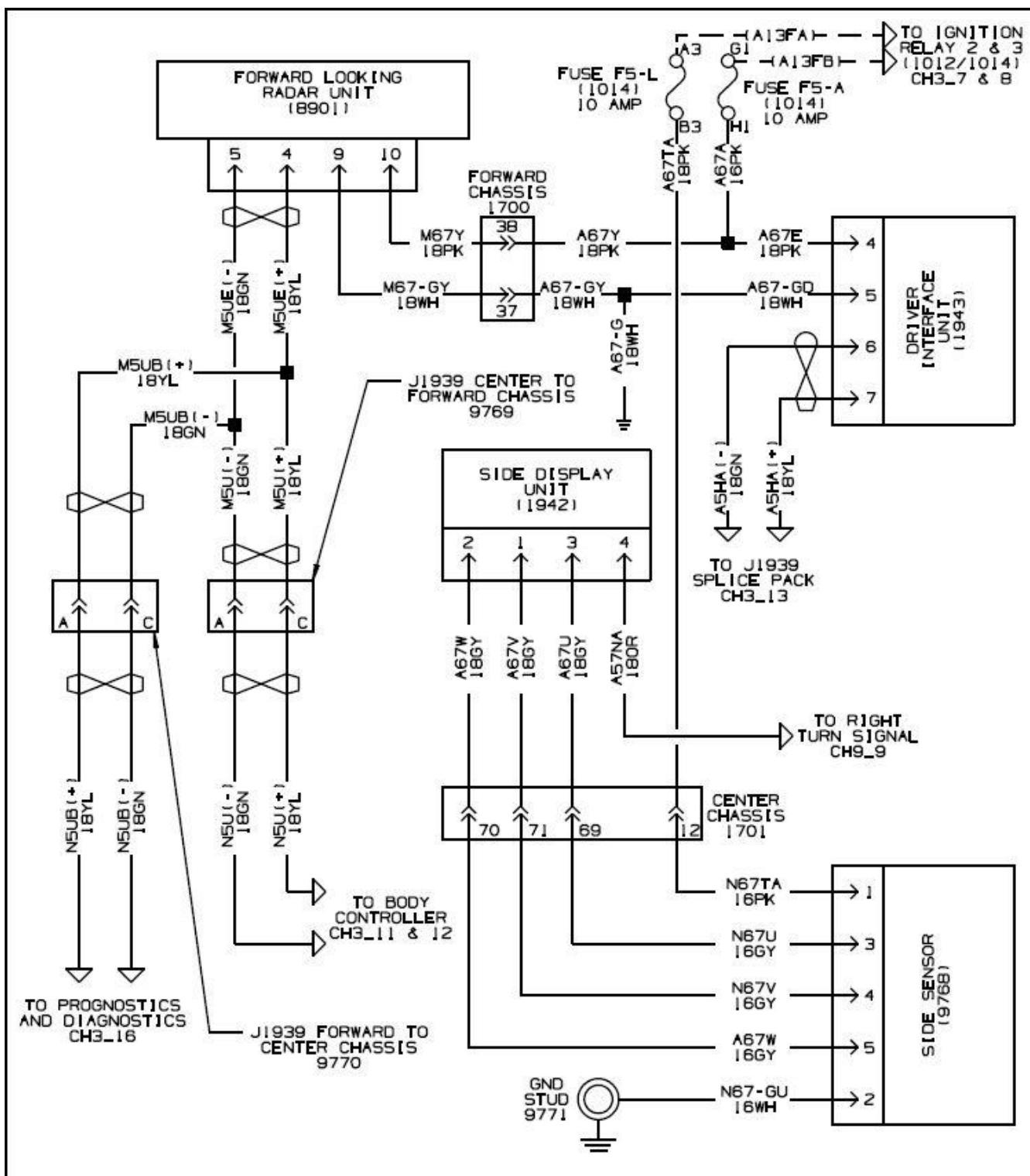
DESCRIPTION

Prostars with the Eaton VORAD VS-400 collision warning system side display (located on the passanger side) is not powering up.

RESOLUTION

Check the 1701 connector (located on dash panel, left side lower) check for wire N67TA in pin 26 - If you find this wire there you need to move it to pin 12. Then check the side display unit, as it should power up now.

CIRCUIT DIAGRAMS



Hide Details

Feedback Information

Viewed: 633
 Helpful: 84
 Not Helpful: 160

No Feedback Found

Copyright © 2015 Navistar, Inc.