



Service Bulletin

PRELIMINARY INFORMATION

Subject: Wiper Blades Skip/Chatter Across Windshield

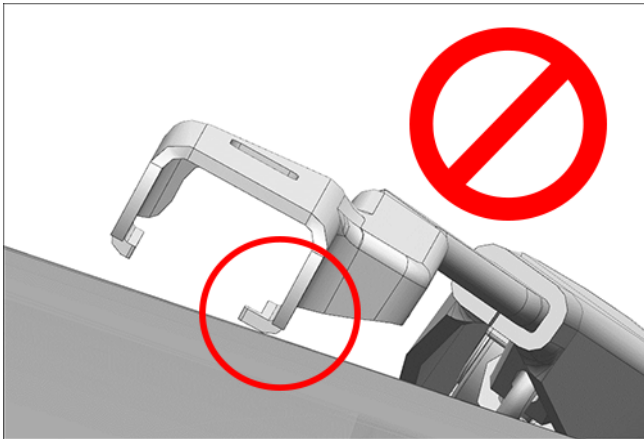
Models: 2015 Chevrolet Colorado
2015 GMC Canyon
Built Between October 1-31, 2014

Condition/Concern

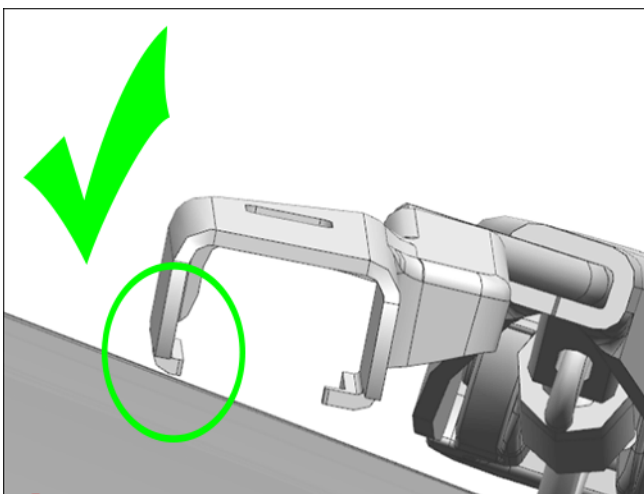
Some customers may comment that the windshield wiper blade(s) skip/chatter across the windshield during operation.

Technicians may find the wiper arm(s) to be twisted in the incorrect direction, affecting the wiper blade angle, causing the wiper blade element to bind during operation.

Recommendation/Instructions



Incorrect Wiper Arm Angle



Correct Wiper Arm Angle

If this condition exists, replace the affected wiper arm(s). Refer to the Windshield Wiper Arm Replacement in SI.

Parts Information

Part Number	Description
23117445 (Left Side)	Arm, Windshield Wiper
23117446 (Right Side)	Arm, Windshield Wiper

Warranty Information

For vehicles repaired under the Bumper-to-Bumper coverage (Canada Base Warranty coverage), use the following labor operation. Reference the Applicable Warranties section of Investigate Vehicle History (IVH) for coverage information.

Labor Operation	Description	Labor Time
2080478*	Windshield Wiper Arm Replacement	0.2 hr
Add	Replace Both Sides	0.1 hr

*This is a unique Labor Operation for Bulletin use only. It will not be published in the Labor Time Guide.

GM bulletins are intended for use by professional technicians, NOT a "do-it-yourselfer". They are written to inform these technicians of conditions that may occur on some vehicles, or to provide information that could assist in the proper service of a vehicle. Properly trained technicians have the equipment, tools, safety instructions, and know-how to do a job properly and safely. If a condition is described, DO NOT assume that the bulletin applies to your vehicle, or that your vehicle will have that condition. See your GM dealer for information on whether your vehicle may benefit from the information.



WE SUPPORT VOLUNTARY TECHNICIAN CERTIFICATION