



Service Bulletin

PRELIMINARY INFORMATION

Subject: Diagnostic Tips for No Forward Movement, DTC P0777, DTC P2723

Models: 2015 Chevrolet Colorado
2015 GMC Canyon
Equipped with 6L50 Automatic Transmission (RPO MYB)

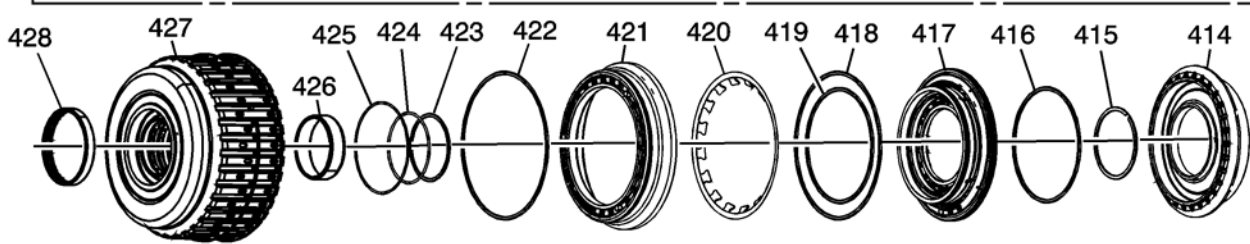
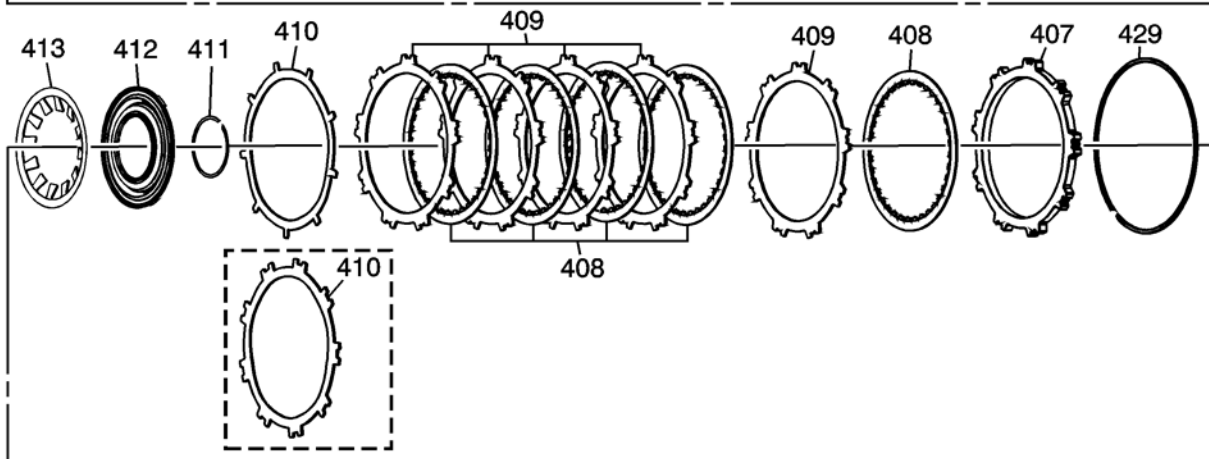
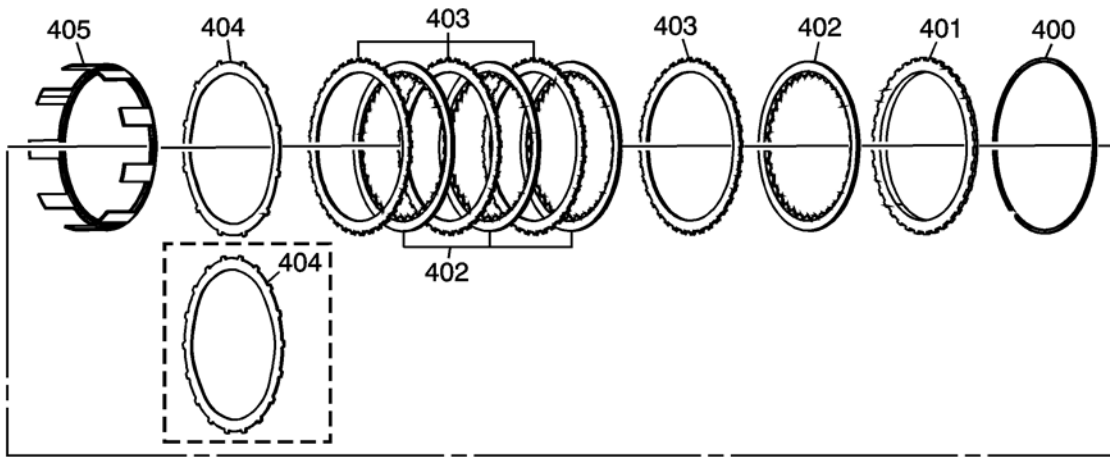
Condition/Concern

Some customers may comment that their vehicle has no forward movement but reverse operates normally. In some cases technicians may find DTC P0777 or P02723 set as an active or history code.

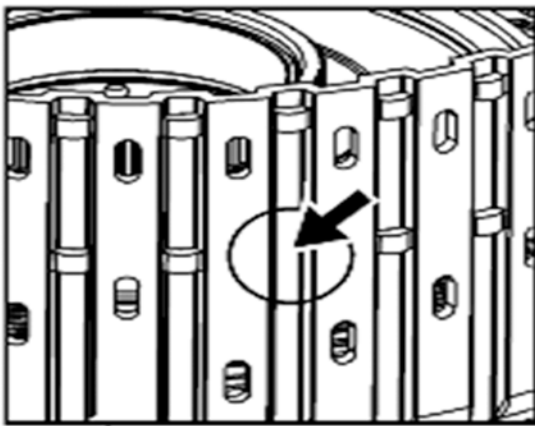
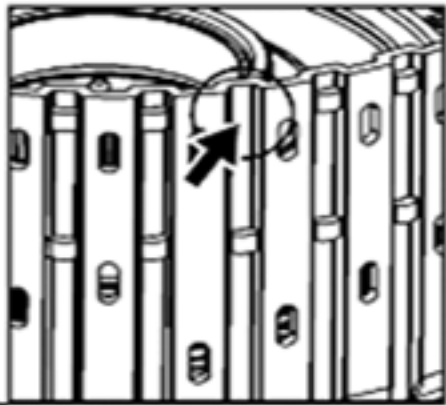
Recommendation/Instructions

This condition may be caused by the 1-2-3-4 Clutch Backing Plate Retaining Ring (429) being out of the groove. Disassemble the 1-2-3-4 and 3-5-R clutch assembly to inspect this retaining ring. Also inspect all the seal rings used in this clutch assembly (416, 418, 419, 422-425) to make sure they are not cut or damaged.

If the retaining ring (429) is found to be out of the groove, be sure to replace the 1-2-3-4 and 3-5 Reverse Clutch Housing Assembly (427) and the retaining ring (429).



Important: When reassembling these clutches, the retaining rings (400 and 429) must be properly aligned in the housing. Align the retaining ring gap with the missing snap ring groove punch in the housing or the offset punch in the housing. Failure to do so may cause damage to the clutch assembly.



GM bulletins are intended for use by professional technicians, NOT a "do-it-yourselfer". They are written to inform these technicians of conditions that may occur on some vehicles, or to provide information that could assist in the proper service of a vehicle. Properly trained technicians have the equipment, tools, safety instructions, and know-how to do a job properly and safely. If a condition is described, DO NOT assume that the bulletin applies to your vehicle, or that your vehicle will have that condition. See your GM dealer for information on whether your vehicle may benefit from the information.



WE SUPPORT VOLUNTARY TECHNICIAN CERTIFICATION