

# Combination Meter Cloudy Lens

**Service Category** Vehicle Interior

**Section** Meter/Gauge/Display

**Market** USA

Toyota Supports  
 ASE Certification 

## Applicability

YEAR(S)	MODEL(S)	ADDITIONAL INFORMATION
2012 – 2014	Prius V	

## Introduction

Some 2012 – 2014 model year Prius V vehicles may exhibit a condition in which a lens in the combination meter develops a hazy or foggy appearance. Follow the Repair Procedure in this bulletin to address this condition.

## Production Change Information

This bulletin applies to vehicles produced **BEFORE** the Production Change Effective VINs shown below.

MODEL	PLANT	PRODUCTION CHANGE EFFECTIVE VIN
Prius V	Tsutsumi	JTDZN3EU#E3354594
	Takaoka	JTDZN3EU#EJ004310

## Warranty Information

OP CODE	DESCRIPTION	TIME	OPF	T1	T2
BD1507	R & R Lens, Meter, No. 1	0.8	83831-47590	73	13

### APPLICABLE WARRANTY

- This repair is covered under the Toyota Basic Warranty. This warranty is in effect for 36 months or 36,000 miles, whichever occurs first, from the vehicle's in-service date.
- Warranty application is limited to occurrence of the specified condition described in this bulletin.

## Parts Information

PART NUMBER	PART NAME	QTY
83831-47590	Lens, Meter, No. 1	1

## Combination Meter Cloudy Lens

---

### Repair Procedure

1. Remove the combination meter assembly.

Refer to the Technical Information System (TIS), applicable model and model year Repair Manual:

- [2012](#) / [2013](#) / [2014](#) Prius V:  
*Vehicle Interior – Meter/Gauge/Display – “Meter/Gauge/Display: Combination Meter: Removal”*

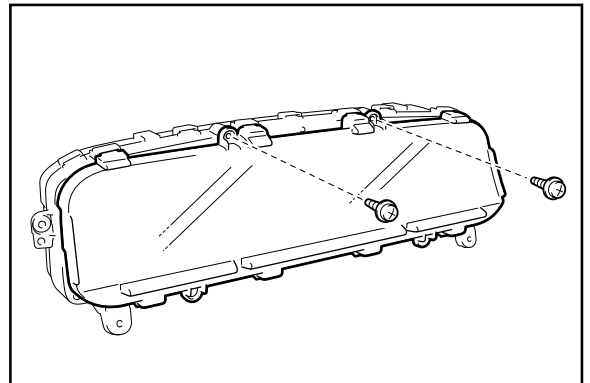
**NOTICE**

When disassembling the combination meter sub-assembly, eliminate static electricity by touching the vehicle body to prevent components from being damaged.

2. Remove the Combination Meter Glass.

- A. Remove the 2 screws.

Figure 1.



## Combination Meter Cloudy Lens

---

### Repair Procedure (Continued)

- B. Disengage the 8 claws and remove the Combination Meter Glass.

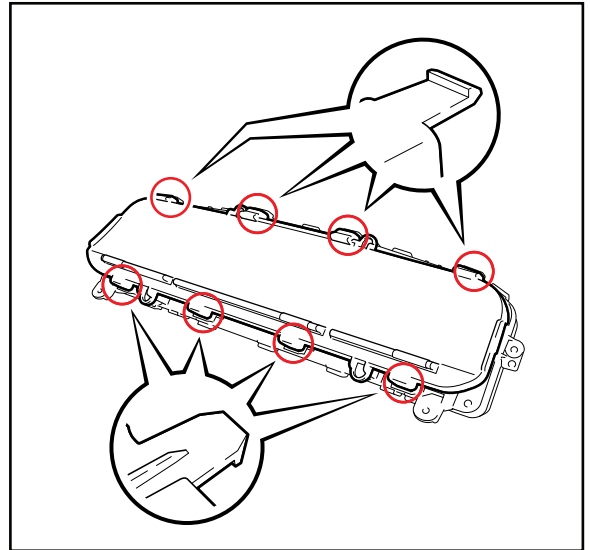
**NOTICE**

Pushing tabs down by hand rather than using tools to pry open will lower the chance of breaking the brittle black plastic housing.

**NOTE**

If any tabs are broken during disassembly, the Combination Meter Glass must be replaced.

Figure 2.



- 3. Remove the Combination Meter Cover No. 2.

- A. Remove the 2 screws.

Figure 3.



## Combination Meter Cloudy Lens

---

### Repair Procedure (Continued)

- B. Disengage the 10 claws and remove the Combination Meter Cover No. 2.

**HINT**

Using a small blade screwdriver to gently hold a gap while depressing tabs with fingers may help in disengaging claws without others reengaging.

**NOTE**

If any tabs are broken during disassembly, the Combination Meter Cover No. 2 must be replaced.

Figure 4.



Figure 5.



## Combination Meter Cloudy Lens

---

### Repair Procedure (Continued)

4. Remove the Lens Meter No. 1 by lifting the lens off locating pins.

**Figure 6.**



5. Install the NEW Lens Meter No. 1 by placing the lens on the locating pins as shown.

**Figure 7.**



**Figure 8.**



## Combination Meter Cloudy Lens

---

### Repair Procedure (Continued)

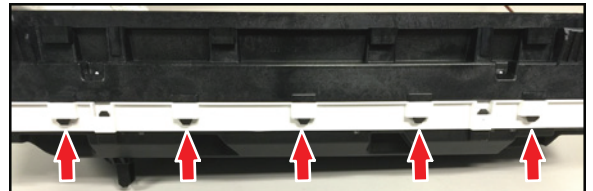
6. Install the Combination Meter Cover No. 2.

A. Engage the 10 claws.

**Figure 9.**



**Figure 10.**



B. Install 2 screws.

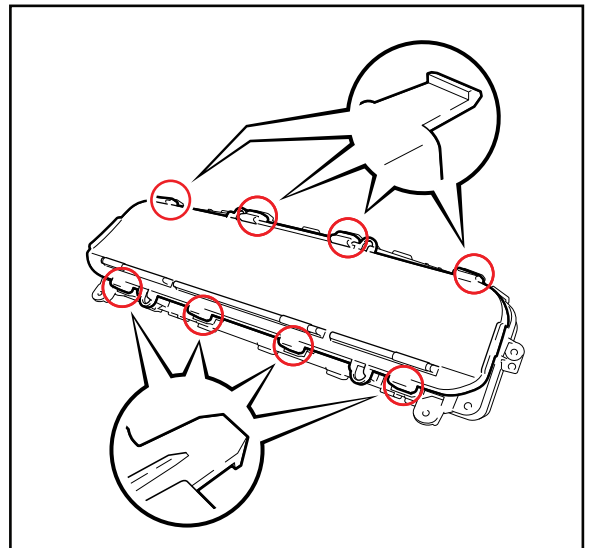
**Figure 11.**



7. Install the Combination Meter Glass.

A. Engage the 8 claws.

**Figure 12.**



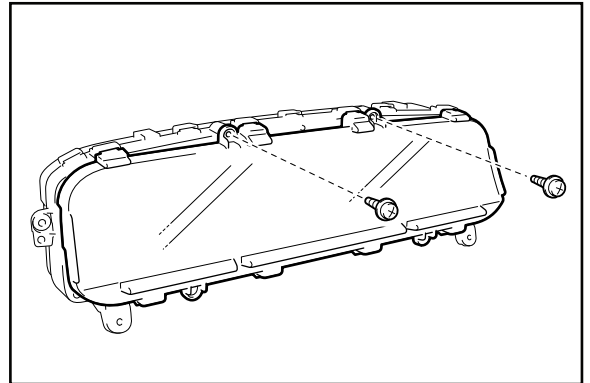
## Combination Meter Cloudy Lens

---

### Repair Procedure (Continued)

- B. Install the Combination Meter Glass with the 2 screws.

Figure 13.



8. Install the combination meter assembly in the vehicle.

Refer to TIS, applicable model and model year Repair Manual:

- [2012](#) / [2013](#) / [2014](#) Prius V:  
*Vehicle Interior – Meter/Gauge/Display – “Meter/Gauge/Display: Combination Meter: Installation”*

9. Confirm normal appearance and operation of the combination meter.