

Clearance Warning Sonar Abnormal Operation

Service Category Audio/Visual/Telematics

Section Park Assist/Monitoring

Market USA

Toyota Supports
 ASE Certification 

Applicability

YEAR(S)	MODEL(S)	ADDITIONAL INFORMATION
2014 – 2015	Tundra	

Introduction

Some 2014 – 2015 model year Tundra vehicles equipped with Clearance Warning Sonar AND steel bumpers may exhibit a condition where the Clearance Warning Sonar activates without an object in the detection area. An updated sonar sensor retainer is available to address this condition.

Production Change Information

This bulletin applies to vehicles produced **BEFORE** the Production Change Effective VINs shown below.

MODEL	VDS	PRODUCTION CHANGE EFFECTIVE VIN
Tundra	AW5F1	5TFAW5F1#FX442813
	AY5F1	5TFAY5F1#FX442813
	BW5F1	5TFBW5F1#FX442813
	BY5F1	5TFBY5F1#FX442813
	CW5F1	5TFCW5F1#FX018317
	CY5F1	5TFCY5F1#FX018317
	DM5F1	5TFDM5F1#FX061090
	DW5F1	5TFDW5F1#FX442813
	DY5F1	5TFDY5F1#FX442813
	EM5F1	5TFEM5F12FX087813
	EY5F1	5TFEY5F1#FX180943
	FY5F1	5TFFY5F1#FX180943

Clearance Warning Sonar Abnormal Operation

Production Change Information (Continued)

MODEL	VDS	PRODUCTION CHANGE EFFECTIVE VIN
Tundra	GY5F1	5TFGY5F1#FX180943
	HW5F1	5TFHW5F1#FX442813
	HY5F1	5TFHY5F1#FX442813
	NY5F1	5TFNY5F1#FX180943
	PW5F1	5TFPW5F1#FX442813
	PY5F1	5TFPY5F1#FX442813
	RM5F1	5TFRM5F1#FX087816
	RY5F1	5TFRY5F1#FX180943
	SY5F1	5TFSY5F1#FX180943
	TY5F1	5TFTY5F1#FX008807
	UM5F1	5TFUM5F1#FX061090
	UW5F1	5TFUW5F1#FX442813
	UY5F1	5TFUY5F1#FX442813

Parts Information

PART NUMBER		PART NAME	QTY*
PREVIOUS	NEW		
89348-0C010	89348-0C011	Retainer, Ultrasonic Sensor	4

* Determined by inspection procedure.

Warranty Information

OP CODE	DESCRIPTION	TIME	OFF	T1	T2
EL1504	R & R Front Sonar Sensor Retainers (One Side)	0.9	89348-0C010	87	57
Combo A	Other Side	0.3			
EL1505	R & R Rear Sonar Sensor Retainer (One Side)	0.9	89348-0C010		
Combo A	Other Side	0.3			

APPLICABLE WARRANTY

- This repair is covered under the Toyota Basic Warranty. This warranty is in effect for 36 months or 36,000 miles, whichever occurs first, from the vehicle's in-service date.
- Warranty application is limited to occurrence of the specified condition described in this bulletin.

Clearance Warning Sonar Abnormal Operation

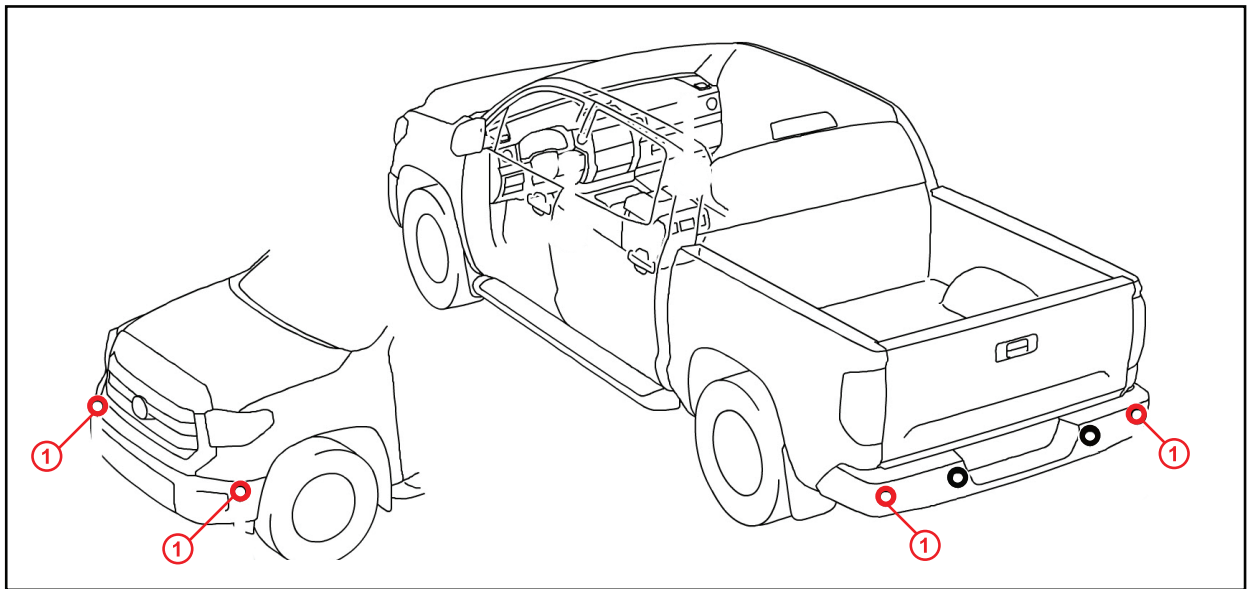
Repair Procedure

1. Is the affected sensor mounted on a steel bumper?
 - **YES** — Continue to step 2.
 - **NO** — This bulletin does NOT apply. Continue diagnosis using the applicable Repair Manual.
2. Inspect the color of the sensor retainers on affected sensors in positions indicated below.

Retainer Color:

- **Black** — Continue to step 3.
- **White** — This bulletin does NOT apply. Continue diagnosis using the applicable Repair Manual.

Figure 1.



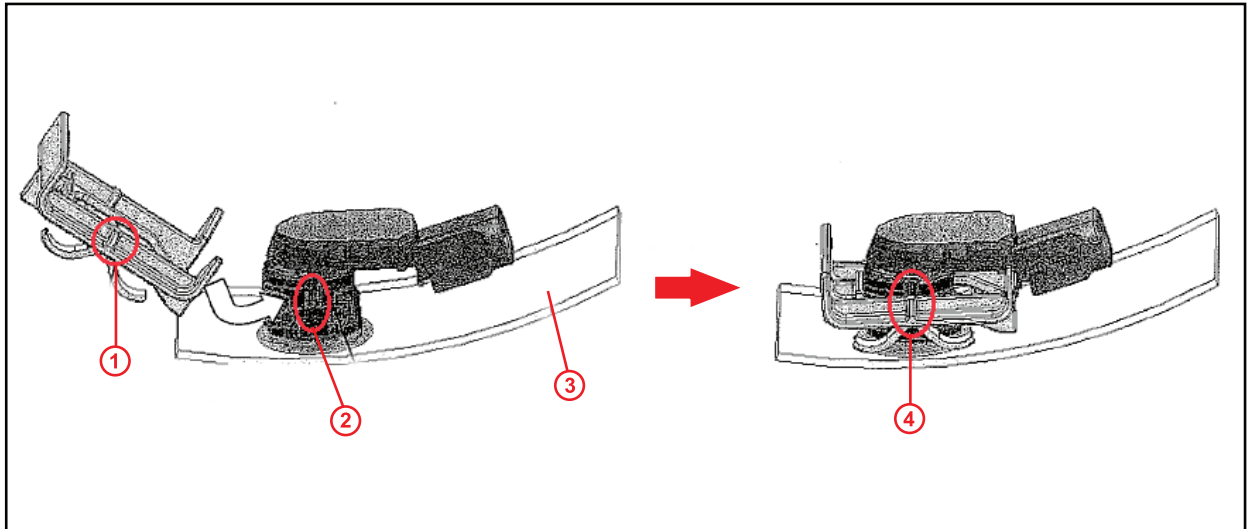
1	Affected Sensors
----------	-------------------------

Clearance Warning Sonar Abnormal Operation

Repair Procedure (Continued)

3. Replace the retainer of the affected sensors.

Figure 2.



1	Retainer
2	Sensor

3	Bumper
4	Teeth and Grooves Aligned

Figure 3. Correct



Figure 4. Incorrect



NOTE

Ensure the teeth of the retainer clip are aligned in grooves of sonar sensor.

Clearance Warning Sonar Abnormal Operation

Repair Procedure (Continued)

Refer to the Technical Information System (TIS), applicable model and model year Repair Manual:

For Front Side:

- 2014 Tundra:
Audio/Visual/Telematics – Park assist/monitoring – “Park assist/monitoring: Ultrasonic sensor (for Front Side): [Removal](#) / [Installation](#)”
- 2015 Tundra:
Audio/Visual/Telematics – Park assist/monitoring – “Park assist/monitoring: Ultrasonic sensor (for Front Side): [Removal](#) / [Installation](#)”

For Rear Side:

- 2014 Tundra:
Audio/Visual/Telematics – Park assist/monitoring – “Park assist/monitoring: Ultrasonic sensor (for Front Side): [Removal](#) / [Installation](#)”
- 2015 Tundra:
Audio/Visual/Telematics – Park assist/monitoring – “Park assist/monitoring: Ultrasonic sensor (for Front Side): [Removal](#) / [Installation](#)”

4. Verify normal operation of the Clearance Warning Sonar System.