



S-SB-0024-11 Rev2 August 11, 2011

2AZ-FE Engine Oil Consumption Repair Procedure

Service Category Engine/Hybrid System

Section Engine Mechanical

Market USA

Scion Supports
ASE Certification 

Applicability

YEAR(S)	MODEL(S)	ADDITIONAL INFORMATION
2007 – 2010	tC	Engine(s): 2AZ VDS(s): DE167, DE177
2008 – 2015	xB	Engine(s): 2AZ VDS(s): KE50E, ZE4FE

REVISION NOTICE

November 2, 2015 Rev2:

- Applicability has been updated to include 2010 – 2015 model year xB and 2010 model year tC vehicles.
- The Required Tools & Equipment and the Repair Procedure sections have been updated.

January 29, 2015 Rev1:

- The Warranty Information, Parts Information, and Repair Procedure sections have been updated.
- The Inspection Procedure has been removed and is now published in a separate bulletin ([S-SB-0031-14](#)).

Any previous printed versions of this bulletin should be discarded.

Introduction

NOTE

Service Bulletin No. [S-SB-0031-14](#), "2AZ-FE Engine Oil Consumption Inspection Procedure," MUST be performed first BEFORE continuing with the procedure in this bulletin.

Some 2007 – 2010 model year tC and 2008 – 2015 model year xB vehicles equipped with the 2AZ-FE engine may exhibit engine oil consumption. The piston assembly has been changed to minimize oil consumption. Use the following Repair Procedure to address this condition.

2AZ-FE Engine Oil Consumption Repair Procedure

Production Change Information

This bulletin applies to the following vehicles:

- All 2007 – 2010 model year tC vehicles.
- 2008 – 2015 model year xB vehicles produced **BEFORE** the Production Change Effective VINs shown below.

MODEL	ENGINE	PLANT	PRODUCTION CHANGE EFFECTIVE VIN
xB	2AZ-FE	Kanto	JTLZE4FE#FJ069331

Warranty Information

OP CODE	DESCRIPTION	MODEL	TIME	OFF	T1	T2
EG9014	R & R Piston and Ring Set	tC	16.6	13211-28110-A0	11	99
				13211-28110-B0		
				13211-28110-C0		
				13211-28111-A0		
				13211-28111-B0		
				13211-28111-C0		
				13211-28112-A0		
				13211-28112-B0		
				13211-28112-C0		
		xB	15.9	13211-0H050-A0		
				13211-0H050-B0		
				13211-0H050-C0		
				13211-0H051-A0		
				13211-0H051-B0		
				13211-0H051-C0		
				13211-0H052-A0		
				13211-0H052-B0		
				13211-0H052-C0		

APPLICABLE WARRANTY

- This repair is covered under the Toyota Powertrain Warranty. This warranty is in effect for 60 months or 60,000 miles, whichever occurs first, from the vehicle's in-service date.
- Warranty application is limited to occurrence of the specified condition described in this bulletin.

2AZ-FE Engine Oil Consumption Repair Procedure

Parts Information

Required Kit Part Numbers

MODEL	PART NUMBER	KIT PART NAME*	QTY
tC	04004-11928	Repair Kit, Piston Ring	1
xB	04004-12128		1

* See Kit Contents table for individual parts included in each kit.

Additional Required Parts

MODEL	PART NUMBER	PART NAME	QTY
tC, xB	90915-YZZF1	Filter, Oil	1
	04004-79128-#0	Piston	4

Additional Parts: Only As Needed

MODEL	PART NUMBER	PART NAME	QTY
ALL	13251-0H030-#0	Pin, Piston	As Needed
	13201-29686-#0	Rod Sub-assy, Connecting	As Needed
	13281-0H031-0#	Bearing, Connecting Rod	8 (if Needed)

Kit Contents

NOTE

This is NOT a list of individual parts to order for this Repair Procedure. This is only a list of parts included in the required kit. Please consult the above required parts sections for ordering details.

MODEL		tC	xB
KIT PART NUMBER		04004-11928	04004-12128
PART NUMBER	PART NAME	QUANTITY (per Kit)	
13011-28260	Ring Set, Piston	1	1
15708-28011	Nozzle Sub-assy, Oil, No. 1	4	4
11115-28040	Gasket, Cylinder Head	1	1
11213-28021	Gasket, Cylinder Head Cover	1	1
13552-28010	Gasket (for Chain Tensioner)	1	1
17173-28010	Gasket, Exhaust Manifold	1	1
17177-28031	Gasket, Intake Manifold to Head	1	1
17451-28040	Gasket, Exhaust Pipe	1	1

2AZ-FE Engine Oil Consumption Repair Procedure

Parts Information (Continued)

Kit Contents (Continued)

		MODEL	tC	xB
		KIT PART NUMBER	04004-11928	04004-12128
PART NUMBER	PART NAME	QUANTITY (per Kit)		
90917-06078	Gasket, Exhaust Pipe, Center	1	1	
90177-22001	Nut (for Front Axle Shaft)	2	2	
90099-14120	Ring, O (Hose Sub-assy, Discharge)	–	1	
90099-14121	Ring, O (Hose Sub-assy, Suction)	–	1	
90311-38098	Seal, Oil (for Timing Chain Case)	1	1	
90311-89010	Seal, Engine Rear Oil	1	1	
90430-12031	Gasket (for Oil Pan Drain Plug)	1	1	
90430-18008	Gasket, Drain Plug, etc.	2	2	
90468-14016	Clip (Transmission Control Cable)	2	2	
90520-22025	Ring, Hole Snap (for Piston Pin)	8	8	
90520-38015	Ring, Hole Snap (for Front Drive Shaft RH)	1	1	
90521-33002	Ring, Hole Snap (for Front Drive Shaft LH)	1	1	
95381-03020	Pin, Cotter (Tie Rod)	–	2	
95381-03025	Pin, Cotter (Tie Rod)	2	–	
96721-19010	Ring, O (for Oil Level Gage Guide)	1	1	
96761-24020	Ring, O (for Cylinder Block to Crankcase Stiffener)	1	–	
G1917-32010	Ring, O (Camshaft Timing Oil Control Valve)	1	1	

2AZ-FE Engine Oil Consumption Repair Procedure

Required Tools & Equipment

TOOLS & MATERIAL	PART NUMBER	QUANTITY	
Three Bond 1324 or Equivalent	–	As Needed	
FIPG Sealant or Equivalent	08826-00080	As Needed	
Super Long Life Coolant (SLLC)	00272-SLLC2	6.6 U.S. qts. (6.2 liters)	
ILSAC GF-4 Multi-grade SAE 0W-20 or 5W-20	–	tC	4.0 U.S. qts. (3.8 liters)
	–	xB	4.5 U.S. qts. (4.3 liters)
Green Plastigage™	–	As Needed	
Cylinder Ridge Reamer	–	1	
Torque Yield Wrench	–	1	
Precision Straight Edge	–	1	
Piston Heater	–	1	
Piston Ring Compressor	–	1	
Torque Wrench	–	1	
Snap Gauges/Cylinder Bore Gauge	–	1	
Large Brass Punch	–	1	
Piston Ring Expander	–	1	
Thread Chaser	–	1	
Feeler Gauge	–	1	
Caliper Gauge	–	1	
Micrometer	–	1	
Vernier Caliper	–	1	

SPECIAL SERVICE TOOLS (SST)	PART NUMBER	QTY
Gasket Seal Cutter	09032-00100	1

NOTE

Additional SSTs may be ordered by calling 1-800-933-8335.

2AZ-FE Engine Oil Consumption Repair Procedure

Repair Procedure

NOTE

Verify that Service Bulletin No. [S-SB-0031-14](#), "2AZ-FE Engine Oil Consumption Inspection Procedure," has been performed **BEFORE** continuing with this bulletin.

Replace the piston and piston ring set.

1. Remove the engine assembly and place on an engine stand.

Refer to the Technical Information System (TIS), applicable model and model year Repair Manual:

- [2007](#) / [2008](#) / [2009](#) / [2010](#) tC:
Engine/Hybrid System – Engine Mechanical – "2AZ-FE Engine Mechanical: Engine Assembly: Removal"
- [2008](#) / [2009](#) / [2010](#) / [2011](#) / [2012](#) / [2013](#) / [2014](#) / [2015](#) xB:
Engine/Hybrid System – Engine Mechanical – "2AZ-FE Engine Mechanical: Engine Assembly: Removal"

2. Remove the cylinder head assembly.

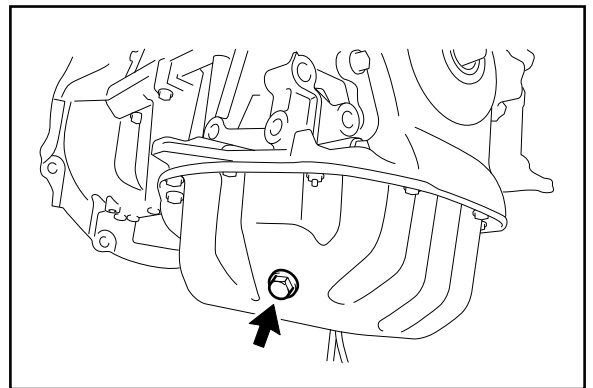
Refer to TIS, applicable model and model year Repair Manual:

- [2007](#) / [2008](#) / [2009](#) / [2010](#) tC:
Engine/Hybrid System – Engine Mechanical – "2AZ-FE Engine Mechanical: Cylinder Head: Removal"
- [2008](#) / [2009](#) / [2010](#) / [2011](#) / [2012](#) / [2013](#) / [2014](#) / [2015](#) xB:
Engine/Hybrid System – Engine Mechanical – "2AZ-FE Engine Mechanical: Cylinder Head Gasket: Removal"

3. Remove the pistons from the connecting rods.

- A. Remove the oil pan drain plug and gasket.

Figure 1.



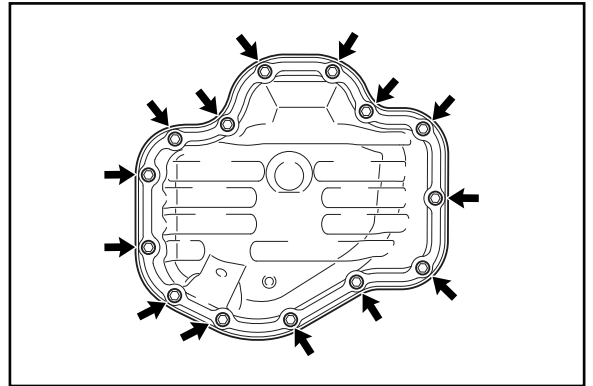
2AZ-FE Engine Oil Consumption Repair Procedure

Repair Procedure (Continued)

B. Remove the oil pan sub-assembly.

- (1) Remove the 12 bolts and 2 nuts.

Figure 2.



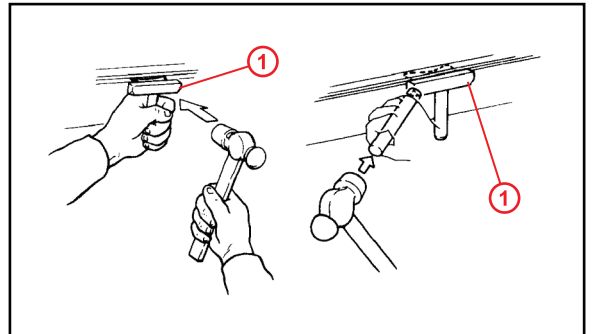
- (2) Insert the blade of the Gasket Seal Cutter between the crankcase and oil pan. Cut through the sealer and remove the oil pan.

SST: 09032-00100

NOTICE

Be careful NOT to damage the contact surfaces of the crankcase, chain cover, and oil pan.

Figure 3.



1 Gasket Seal Cutter

2AZ-FE Engine Oil Consumption Repair Procedure

Repair Procedure (Continued)

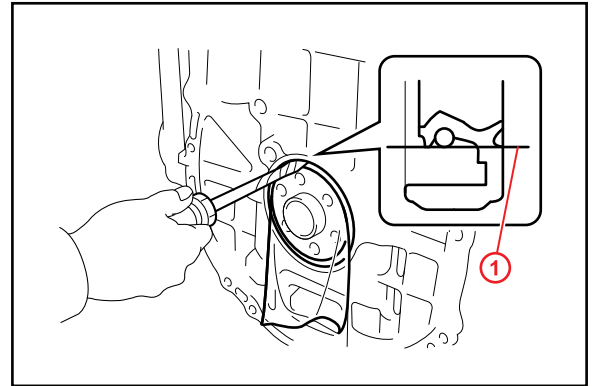
C. Remove the engine rear oil seal.

- (1) Using a knife, cut off the oil seal lip.
- (2) Using a screwdriver (with a taped tip), pry out the oil seal.

NOTICE

After removing the oil seal, check the crankshaft for damage. If the crankshaft is damaged, smooth the surface with 400-grit sandpaper.

Figure 4.



1 Cut Position

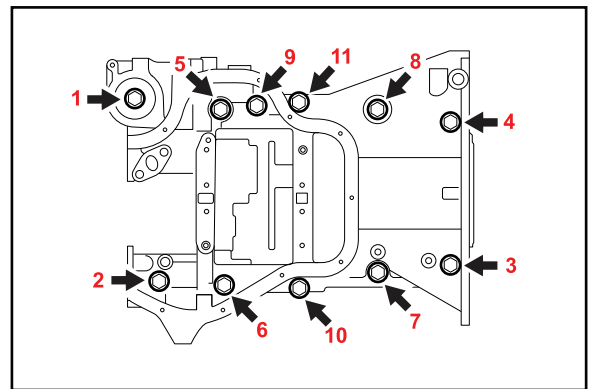
D. Remove the stiffening crankcase assembly.

NOTICE

Remove the stiffening crankcase as a unit. Do NOT separate the halves of the assembly, exposing the balance shaft bearings.

- (1) Uniformly loosen and remove the 11 bolts in the sequence shown in the illustration.

Figure 5.



2AZ-FE Engine Oil Consumption Repair Procedure

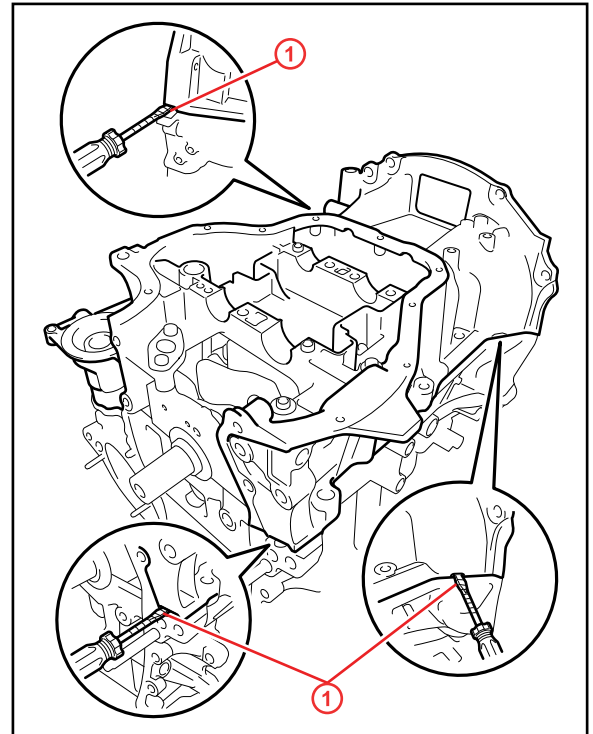
Repair Procedure (Continued)

- (2) Using a screwdriver (with a taped tip), remove the crankcase by prying between the crankcase and cylinder block.

NOTICE

Be careful **NOT** to damage the contact surfaces of the crankcase and cylinder block.

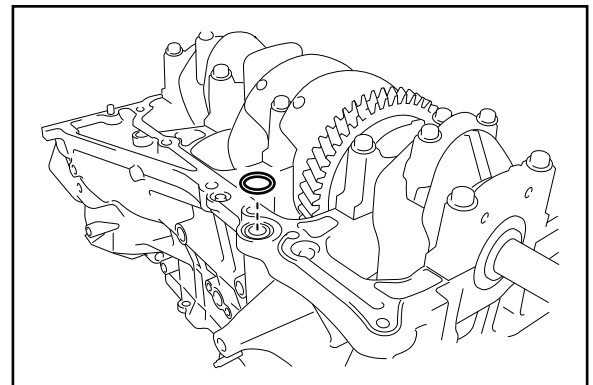
Figure 6.



1 Protective Tape

- (3) Remove the O-ring from the cylinder block (tC **ONLY**).

Figure 7.



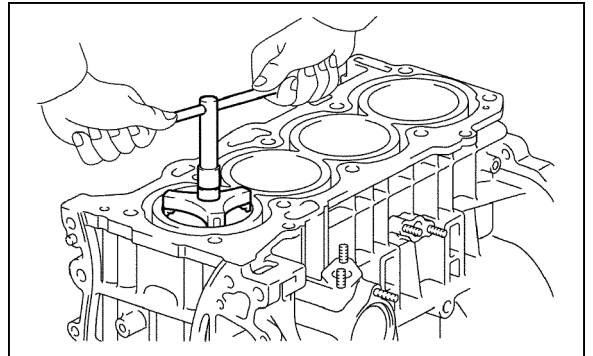
2AZ-FE Engine Oil Consumption Repair Procedure

Repair Procedure (Continued)

E. Remove the piston sub-assemblies with connecting rod.

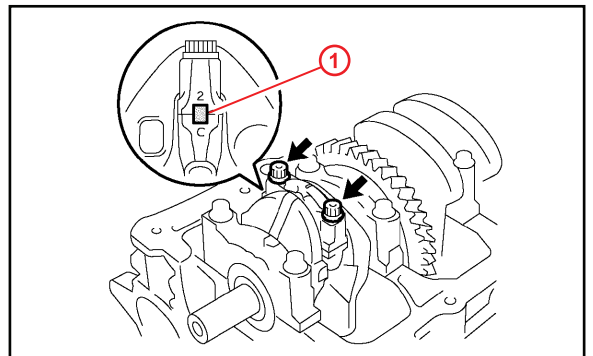
- (1) Using a ridge reamer, remove all the carbon from the top of the cylinder.

Figure 8.



- (2) Check that the matchmarks on the connecting rod and cap are aligned to ensure correct reassembly.

Figure 9.



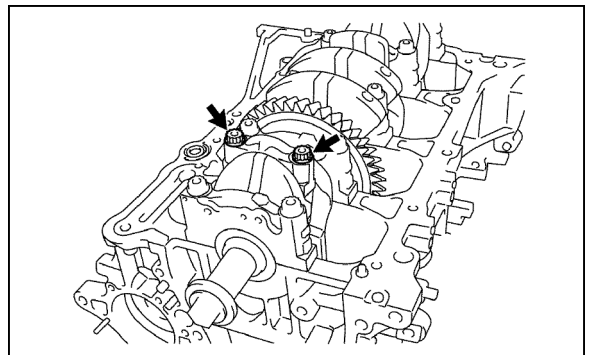
HINT

The matchmarks on the connecting rods and caps are provided for ensuring correct reassembly.

1	Matchmark
---	-----------

- (3) Using a 12 mm socket wrench, uniformly loosen the 2 bolts.

Figure 10.



2AZ-FE Engine Oil Consumption Repair Procedure

Repair Procedure (Continued)

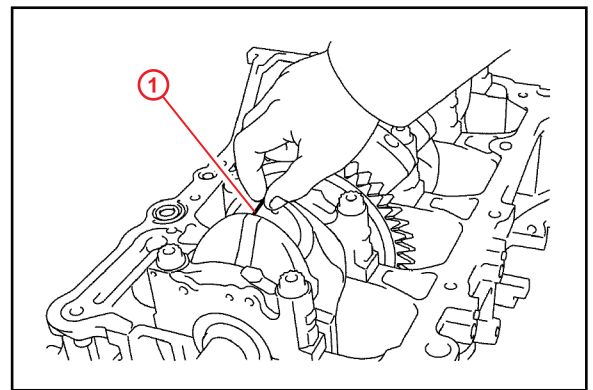
- (4) Using the 2 removed connecting rod cap bolts, remove the connecting rod cap and lower bearing by moving the connecting rod cap right and left.

HINT

Keep the lower bearing inserted in the connecting rod cap.

- (5) Inspect the connecting rod oil clearance.
 1. Clean the crank pin and bearing.
 2. Check the crank pin and bearing for pitting and scratches.
 3. Lay a strip of Plastigage™ on the crank pin.

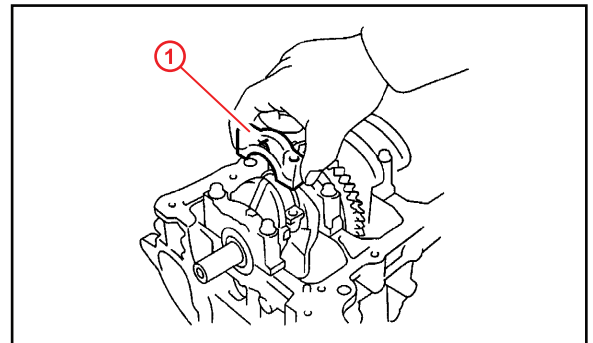
Figure 11.



1 Plastigage™

4. Check that the front mark of the connecting rod cap is facing forward.

Figure 12.



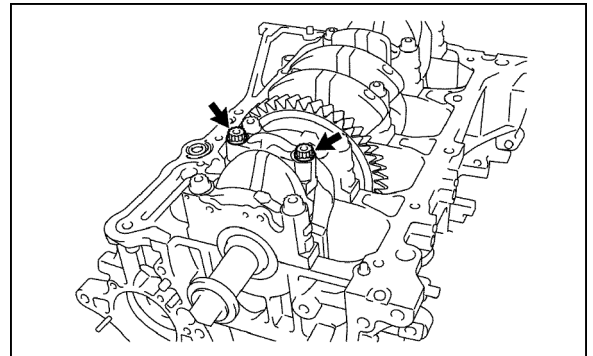
1 Front Mark

2AZ-FE Engine Oil Consumption Repair Procedure

Repair Procedure (Continued)

5. Install and alternately tighten the bolts of the connecting rod cap in several steps.

Figure 13.



Torque: 25 N*m (250 kgf*cm, 18 ft*lbf)

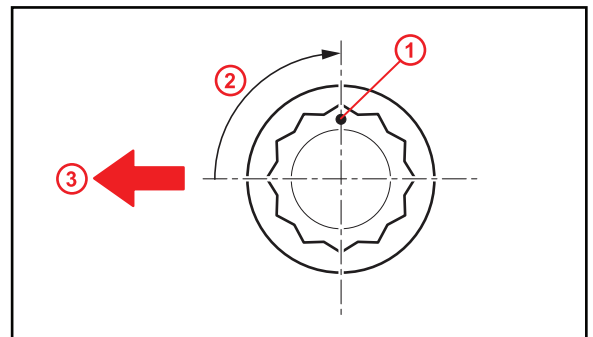
NOTE

The connecting cap bolts should be tightened in 2 progressive steps.

6. Mark the front of the connecting rod cap bolts with paint.

Retighten the cap bolts by 90° as shown in the illustration.

Figure 14.



1	Paint Mark
2	90°
3	Engine Front

2AZ-FE Engine Oil Consumption Repair Procedure

Repair Procedure (Continued)

7. Remove the 2 bolts and connecting rod cap.
8. Measure the Plastigage™ at its widest point.

tC, xB:

Standard Oil Clearance: 0.024 to 0.048 mm (0.0009 to 0.0019 in.)

Maximum Oil Clearance: 0.08 mm (0.0032 in.)

If the oil clearance is greater than the maximum, replace the connecting rod bearings. If necessary, inspect the crankshaft.

NOTE

Completely remove the Plastigage™ after the measurement.

2AZ-FE Engine Oil Consumption Repair Procedure

Repair Procedure (Continued)

HINT

If replacing a bearing, replace it with one that has the same number as its respective connecting rod cap. Each bearing's standard thickness is indicated by a 1, 2, or 3 mark on its surface.

Standard Connecting Rod Large End Bore Diameter:

MARK	SPECIFIED CONDITION
Mark 1	51.000 to 51.007 mm (2.0079 to 2.0082 in.)
Mark 2	51.008 to 51.013 mm (2.0082 to 2.0084 in.)
Mark 3	51.014 to 51.020 mm (2.0084 to 2.0087 in.)

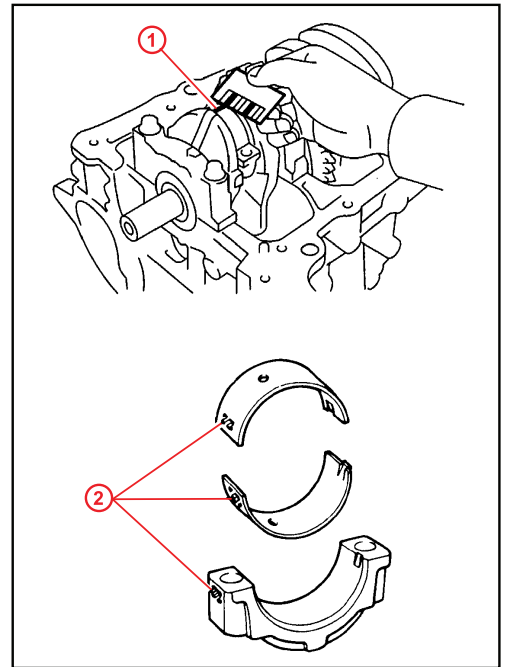
Standard Connecting Rod Bearing Thickness:

MARK	SPECIFIED CONDITION
Mark 1	1.485 to 1.488 mm (0.0585 to 0.0586 in.)
Mark 2	1.489 to 1.491 mm (0.0586 to 0.0587 in.)
Mark 3	1.492 to 1.494 mm (0.0587 to 0.0588 in.)

Standard Crankshaft Pin Diameter:

MARK	SPECIFIED CONDITION
Mark 1	47.990 to 48.000 (1.8894 to 1.8898 in.)
Mark 2	
Mark 3	

Figure 15.



1	Plastigage™
2	1, 2, or 3 Mark

2AZ-FE Engine Oil Consumption Repair Procedure

Repair Procedure (Continued)

- (6) Push the piston, connecting rod assembly, and upper bearing through the top of the cylinder block.

HINT

- Keep the bearing, connecting rod, and cap together.
- Arrange the piston and connecting rod assemblies in the correct order.

- (7) Repeat for the other 3 piston/connecting rod assemblies.

- F. Remove the connecting rod bearings.

HINT

Arrange the removed parts in the correct order.

- G. Inspect the cylinder bore for abnormal damage.

Visually check the cylinder bore for the presence of crosshatch.

- If the cylinder bore has visible crosshatch, the cylinder block is OK to re-use.
- Confirm that only light vertical marks are present, if any.

NOTE

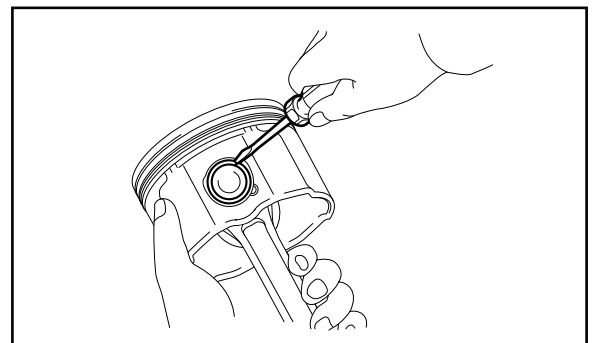
- It is normal for an in-service block to have light markings present from carbon and should NOT be interpreted as excessive cylinder wall scratches.
- ONLY replace the short block if multiple, severe scratches are present.
- Do NOT hone the cylinder walls.

- H. Using a screwdriver, pry out the 2 piston pin hole snap rings.

HINT

If necessary, sublet the following specialized and precision operations to a local engine machining shop.

Figure 16.



2AZ-FE Engine Oil Consumption Repair Procedure

Repair Procedure (Continued)

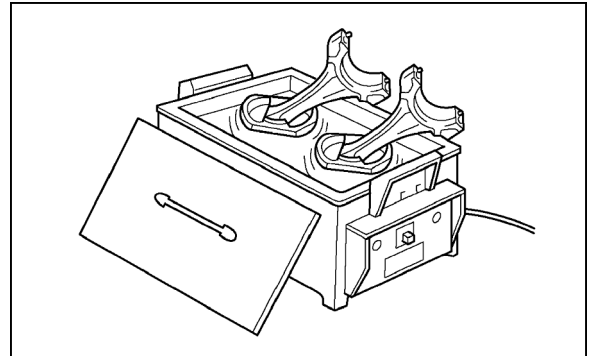
I. Remove the piston.

- (1) Gradually heat the piston to approximately 176 to 194°F (80 to 90°C).

HINT

If necessary, sublet the following specialized and precision operations to a local engine machining shop.

Figure 17.

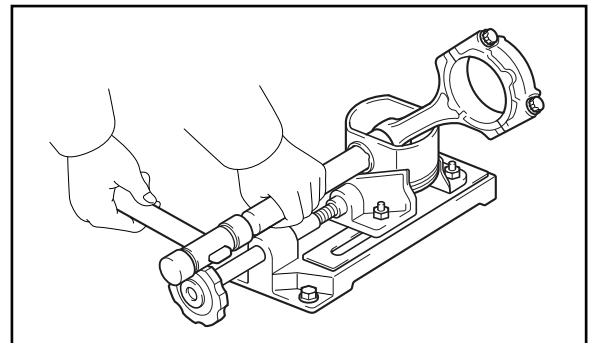


- (2) Using a plastic hammer and brass bar, lightly tap out the piston pin and remove the connecting rod.

NOTE

- The piston, pin and connecting rod are a matched set.
- Arrange the pistons, pins, rings, connecting rods, and bearings in the correct order.

Figure 18.



For additional information, refer to TIS, applicable model and model year Repair Manual:

- [2007](#) / [2008](#) / [2009](#) / [2010](#) tC:
Engine/Hybrid System – Engine Mechanical – “2AZ-FE Engine Mechanical: Engine Unit: Disassembly”
- [2008](#) / [2009](#) / [2010](#) / [2011](#) / [2012](#) / [2013](#) / [2014](#) / [2015](#) xB:
Engine/Hybrid System – Engine Mechanical – “2AZ-FE Engine Mechanical: Engine Unit: Disassembly”

2AZ-FE Engine Oil Consumption Repair Procedure

Repair Procedure (Continued)

4. Inspect piston, pin, connecting rod and bearings to determine replacement part numbers and measure to determine if parts are suitable for re-use.

NOTE

Due to carbon build up, piston face may need to be cleaned before reading designated piston type. If piston type cannot be found, reference connecting rod.

HINT

If necessary, sublet the following specialized and precision operations to a local engine machining shop.

- A. Inspect the piston pin diameter mark located on the top face in order to determine correct replacement parts. Piston type will be: A, B, or C.

2AZ-FE Engine Oil Consumption Repair Procedure

Repair Procedure (Continued)

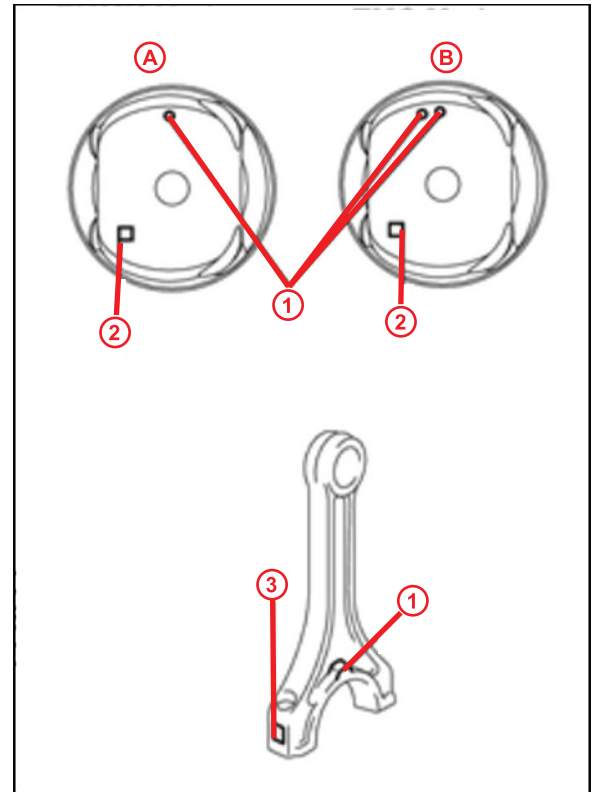
- Using a caliper gauge, measure the piston pin bore diameter.

NOTE

Due to carbon build up, piston face may need to be cleaned before reading designated piston type. If piston type cannot be found, reference connecting rod.

PART NUMBER	SPECIFIED CONDITION
04004-79128-A0	22.001 to 22.004 mm (0.8662 to 0.8663 in.)
04004-79128-B0	22.005 to 22.007 mm (0.8663 to 0.8664 in.)
04004-79128-C0	22.008 to 22.010 mm (0.8664 to 0.8665 in.)

Figure 19.



A	TMMK Made
B	TMC Made
1	Front Mark
2	Piston Pin Bore Diameter Mark
3	Connecting Rod Mark

NOTE

Although "B" pistons are the most commonly used in production, any engine can have any combination of all 3 pistons (A, B, C). The approximate production mix for pistons is as follows: A = 4%, B = 92%, C = 4%.

2AZ-FE Engine Oil Consumption Repair Procedure

Repair Procedure (Continued)

- (2) Using a micrometer, measure the piston pin diameter.

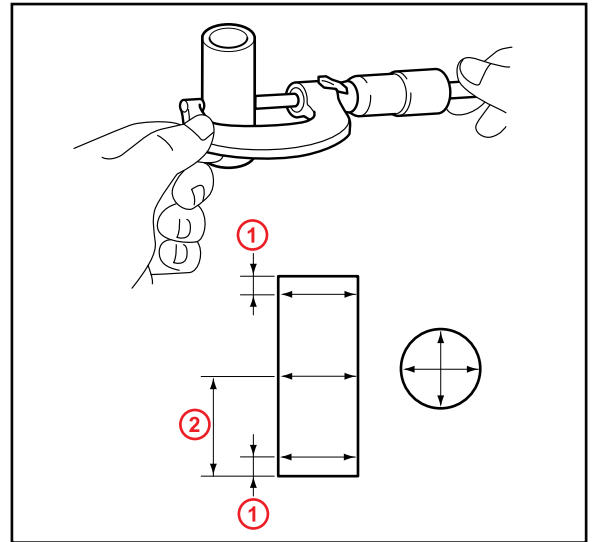
Standard Piston Pin Diameter: 21.997 to 22.006 mm (0.8660 to 0.8664 in.)

Ensure the connecting rod small end bore diameter measurement is within specification for the piston pin diameter mark inspected previously. If the diameter is NOT as specified, replace the piston pin.

NOTE

Piston pin type is a matched set with the piston and connecting rod. For example: if the piston removed has a "B" marking, the piston pin diameter should be 22.001 - 22.003 mm

Figure 20.



1	5 mm (0.20 in.)
2	30 mm (1.18 in.)

PART NUMBER	SPECIFIED CONDITION
13251-0H030-A0	21.997 to 22.000 mm (0.8660 to 0.8661 in.)
13251-0H030-B0	22.001 to 22.003 mm (0.8662 to 0.8663 in.)
13251-0H030-C0	22.004 to 22.006 mm (0.8663 to 0.8664 in.)

2AZ-FE Engine Oil Consumption Repair Procedure

Repair Procedure (Continued)

- (3) Using a caliper gauge, measure the connecting rod small end bore diameter.

Standard Connecting Rod Small End Bore Diameter:
22.005 to 22.014 mm (0.8663 to 0.8667 in.)

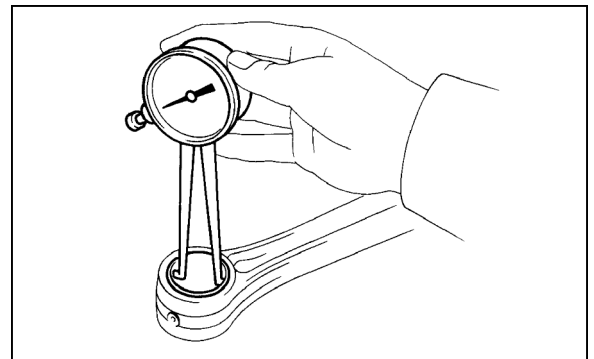
Ensure the connecting rod small end bore diameter measurement is within specification for the piston pin diameter mark inspected previously. If the diameter is NOT as specified, replace the piston pin.

NOTE

Connecting Rod type is a matched set with the piston and piston pin. For example: if the piston removed has a "B" marking, the connecting rod small end bore diameter should be 22.009 - 22.011 mm.

PART NUMBER	SPECIFIED CONDITION
13201-29686-A0	22.005 to 22.008 mm (0.8663 to 0.8665 in.)
13201-29686-B0	22.009 to 22.011 mm (0.8665 to 0.8666 in.)
13201-29686-C0	22.012 to 22.014 mm (0.8666 to 0.8667 in.)

Figure 21.



- B. Inspect the connecting rod bolt.

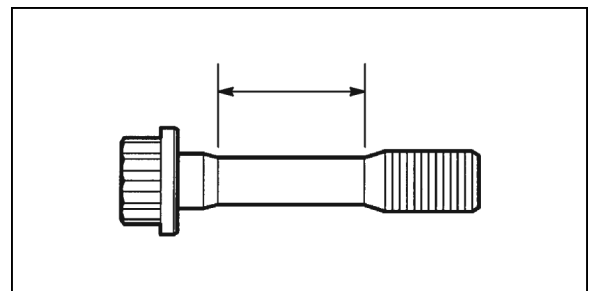
Using vernier calipers, measure the tension portion diameter of the bolt.

Standard Diameter: 7.2 to 7.3 mm
(0.283 to 0.287 in.)

Minimum Diameter: 7.0 mm (0.276 in.)

If the diameter is less than the minimum, replace the connecting rod bolt.

Figure 22.



For additional information, refer to TIS, applicable model and model year Repair Manual:

- [2007](#) / [2008](#) / [2009](#) / [2010](#) tC:
Engine/Hybrid System – Engine Mechanical – “2AZ-FE Engine Mechanical: Engine Unit: Inspection”

2AZ-FE Engine Oil Consumption Repair Procedure

Repair Procedure (Continued)

- [2008](#) / [2009](#) / [2010](#) / [2011](#) / [2012](#) / [2013](#) / [2014](#) / [2015](#) xB:
Engine/Hybrid System – Engine Mechanical – “2AZ-FE Engine Mechanical: Engine Unit: Inspection”

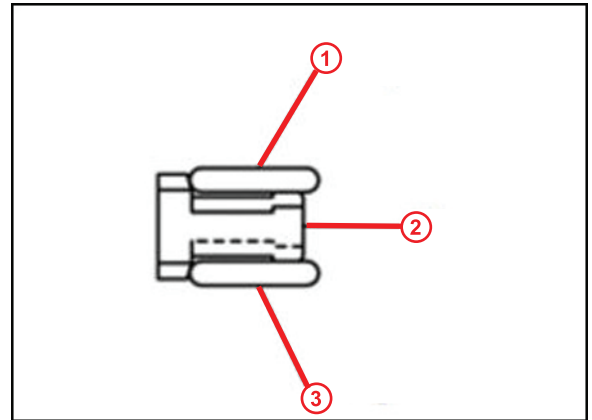
5. Install the new pistons and rings and reassemble the engine in reverse order of disassembly.

NOTE

3 piece oil control ring installation procedure is **NOT** included in the Repair Manual. Follow the steps below to install the piston rings and refer to the repair manual for all other reassembly steps.

A. Install Piston Ring Set.

Figure 23.



1	Upper Oil Ring Side Rail
2	Oil Ring Expander
3	Lower Oil Ring Side Rail

(1) Install the oil ring expander and 2 oil ring side rails by hand.

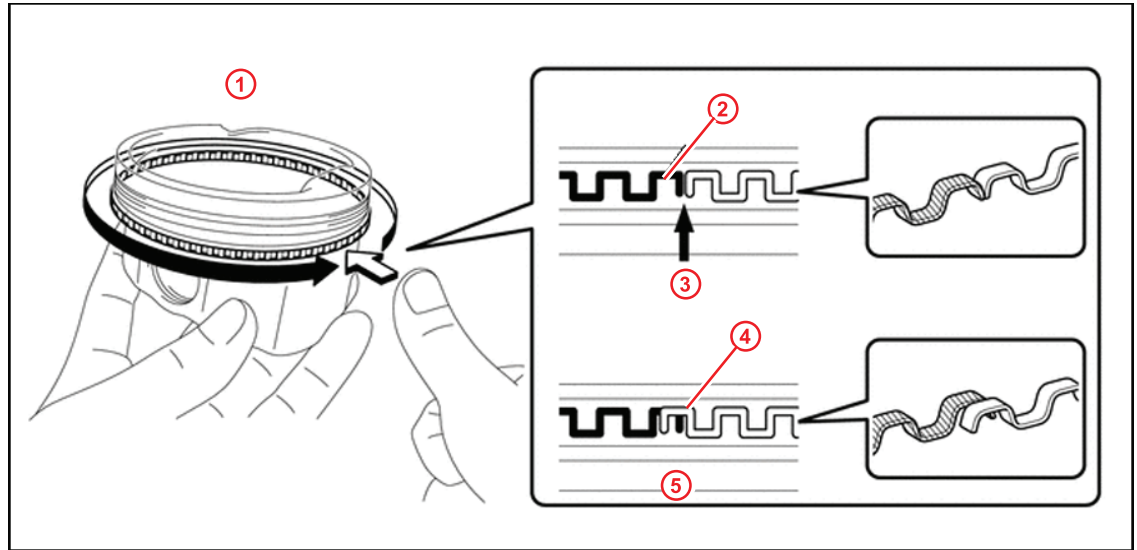
NOTE

When installing oil expander ring, do **NOT** overlap the ends.

2AZ-FE Engine Oil Consumption Repair Procedure

Repair Procedure (Continued)

Figure 24.



1	Push Oil Ring Expander Surface Into Piston With Thumb
2	Normal Condition
3	Align End of Ring

4	NG Condition
5	Do NOT Overlap

2AZ-FE Engine Oil Consumption Repair Procedure

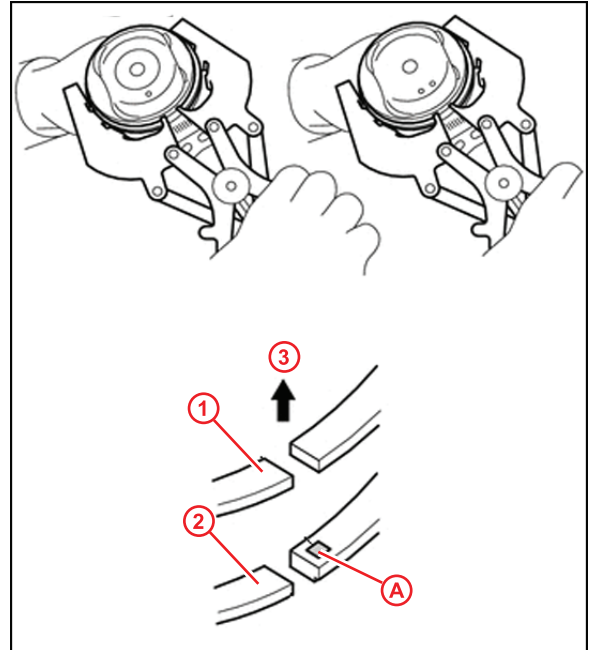
Repair Procedure (Continued)

- (2) Using a piston ring expander, install the No. 1 compression ring and No. 2 compression ring with the code mark positioned as shown in the illustration.

NOTE

Install the No. 2 compression ring with the code mark facing upward.

Figure 25.



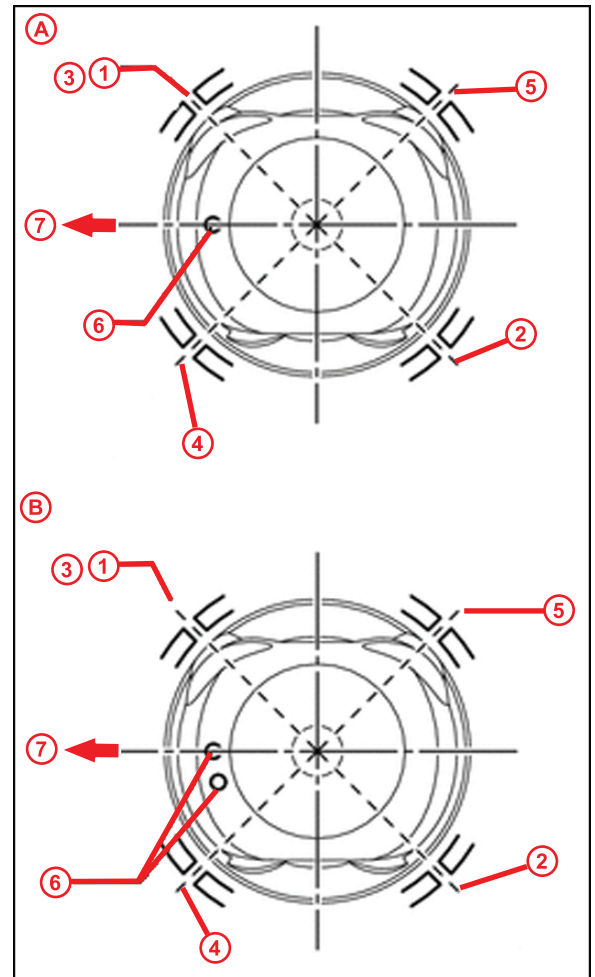
A	Code Mark
1	No. 1 Compression Ring
2	No. 2 Compression Ring
3	Upward

2AZ-FE Engine Oil Consumption Repair Procedure

Repair Procedure (Continued)

- (3) Position the piston rings so that the ends are as shown in the illustration.

Figure 26.



A	TMC Made
B	TMMK Made
1	No. 1 Compression Ring
2	No. 2 Compression Ring
3	Oil Ring Expander
4	Upper Side Rail - Oil Control Ring
5	Lower Side Rail - Oil Control Ring
6	Front Mark
7	Front Side

2AZ-FE Engine Oil Consumption Repair Procedure

Repair Procedure (Continued)

- [2007](#) / [2008](#) / [2009](#) / [2010](#) tC:
Engine/Hybrid System – Engine Mechanical – “2AZ-FE Engine Mechanical: Engine Unit: Reassembly”
- [2007](#) / [2008](#) / [2009](#) / [2010](#) tC:
Engine/Hybrid System – Engine Mechanical – “2AZ-FE Engine Mechanical: Cylinder Head: Installation”
- [2008](#) / [2009](#) / [2010](#) / [2011](#) / [2012](#) / [2013](#) / [2014](#) / [2015](#) xB:
Engine/Hybrid System – Engine Mechanical – “2AZ-FE Engine Mechanical: Engine Unit: Reassembly”
- [2008](#) / [2009](#) / [2010](#) / [2011](#) / [2012](#) / [2013](#) / [2014](#) / [2015](#) xB:
Engine/Hybrid System – Engine Mechanical – “2AZ-FE Engine Mechanical: Cylinder Head Gasket: Installation”

B. Install the NEW pistons and reassemble the engine in reverse order of disassembly.

For additional information, refer to TIS, applicable model and model year Repair Manual:

6. Install the engine assembly.

Refer to TIS, applicable model and model year Repair Manual:

- [2007](#) / [2008](#) / [2009](#) / [2010](#) tC:
Engine/Hybrid System – Engine Mechanical – “2AZ-FE Engine Mechanical: Engine Assembly: Installation”
- [2008](#) / [2009](#) / [2010](#) / [2011](#) / [2012](#) / [2013](#) / [2014](#) / [2015](#) xB:
Engine/Hybrid System – Engine Mechanical – “2AZ-FE Engine Mechanical: Engine Assembly: Installation”

7. Test drive the vehicle to verify normal operation.