

# Front License Plate and Mounting Bracket Installation

## Service Category

**Section** Pre-Delivery Service

**Market** USA

Lexus Supports  
ASE Certification 

## Applicability

YEAR(S)	MODEL(S)	ADDITIONAL INFORMATION
2016	NX200T, NX300H	

## Introduction

The front license plate mounting bracket and 2 self-tapping screws for the 2016 model year NX 200t and NX 300h vehicles are stored in the rear cargo area of the vehicle.

Install the license plate and mounting bracket during Pre-Delivery Service (PDS).

## Warranty Information

OP CODE	DESCRIPTION	TIME	OFP	T1	T2
N/A	Not Applicable to Warranty	-	-	-	-

## Front License Plate and Mounting Bracket Installation

### Installation Procedure

1. Install the Mounting Bracket.
  - A. Align holes "A" of the mounting bracket with the dimples on the radiator lower grille.

**HINT**

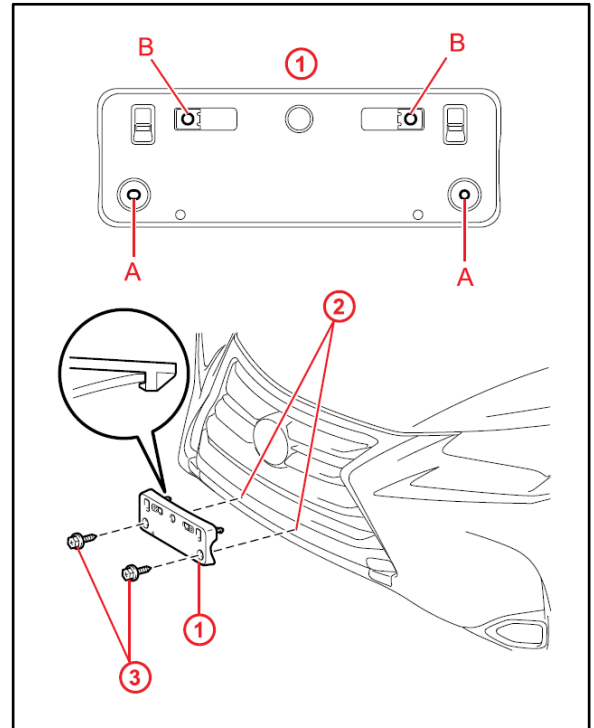
- Holes "A" are used to install the mounting bracket to the bumper cover.
- Holes "B" are used to install the front license plate to the mounting bracket.

- B. Engage the two clips and screw the two supplied self-tapping crews directly into the dimples to install the front license plate mounting bracket.

**NOTE**

- Do NOT pre-drill holes into the dimples on the front bumper cover.
- Do NOT over-tighten the self-tapping screws.

**Figure 1.**



<b>1</b>	<b>Mounting Bracket</b>
<b>2</b>	<b>Dimples</b>
<b>3</b>	<b>Self-tapping Screws</b>

## Front License Plate and Mounting Bracket Installation

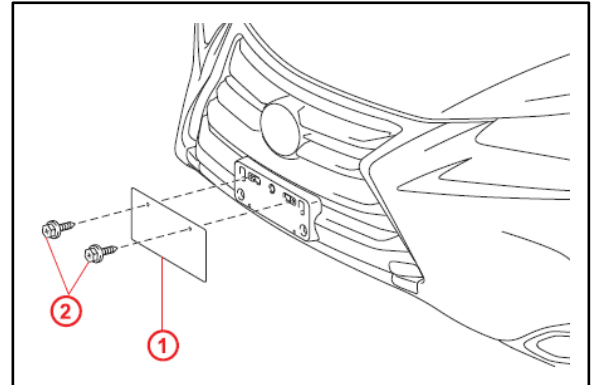
### Installation Procedure (Continued)

2. Install the front license plate to the mounting bracket using 2 non-corroding bolts with the following dimensions:

**Nominal Length: 15.0 mm (0.59 in.)**

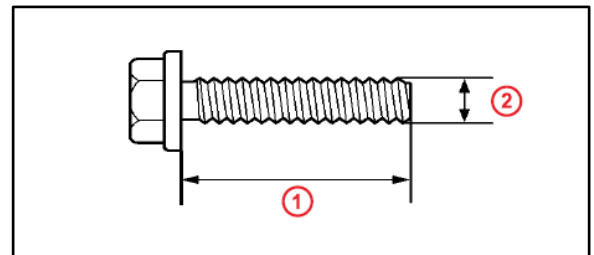
**Diameter: 6.0 mm (0.24 in.)**

**Figure 2.**



<b>1</b>	<b>Front License Plate</b>
<b>2</b>	<b>Bolts</b>

**Figure 3.**



<b>1</b>	<b>Nominal Length</b>
<b>2</b>	<b>Diameter</b>