

Tundra Roof Drip Molding Loose

Service Category Vehicle Exterior

Section Exterior Panels/Trim

Market USA

Toyota Supports
 ASE Certification 

Applicability

YEAR(S)	MODEL(S)	ADDITIONAL INFORMATION
2013 – 2015	Tundra	Plant Code(s): 5 WMI(s): 5TF

Introduction

Some 2013 – 2015 model year Tundra vehicles may exhibit a condition where the Roof Drip Molding may become loose and will not stay in the roof channel. A modified Roof Drip Molding is available to address this condition.

Warranty Information

OP CODE	DESCRIPTION	TIME	OFP	T1	T2
BD1428	R & R Molding, Roof Drip Side Finish, RH	0.6	75551-0C050 75552-0C050 75551-0C060	62	13
BD1428A	R & R Molding, Roof Drip Side Finish, LH	0.6	75552-0C060 75552-0C070 75551-0C070		

APPLICABLE WARRANTY

- This repair is covered under the Toyota Basic Warranty. This warranty is in effect for 36 months or 36,000 miles, whichever occurs first, from the vehicle's in-service date.
- Warranty application is limited to occurrence of the specified condition described in this bulletin.

Tundra Roof Drip Molding Loose

Parts Information

PART NUMBER	CAB TYPE	PART NAME	QTY
75551-0C070	B-Cab	Roof Drip Moulding (P-Side)	1
75552-0C070		Roof Drip Moulding (D-Side)	1
75551-0C050	C-Cab	Roof Drip Moulding (P-Side)	1
75552-0C050		Roof Drip Moulding (D-Side)	1
75551-0C060	D-Cab	Roof Drip Moulding (P-Side)	1
75552-0C060		Roof Drip Moulding (D-Side)	1
75553-0C040	B-Cab	Moulding, Roof drip side finish, Rear RH	As Needed*
75554-0C040		Moulding, Roof drip side finish, Rear LH	As Needed*
75553-0C020	C-Cab	Moulding, Roof drip side finish, Rear RH	As Needed*
75554-0C020		Moulding, Roof drip side finish, Rear LH	As Needed*
75553-0C030	D-Cab	Moulding, Roof drip side finish, Rear RH	As Needed*
75554-0C030		Moulding, Roof drip side finish, Rear LH	As Needed*
75561-02020	All	Clip, Roof Drip Side Finish Moulding, No.1	As Needed*

* Only replace the Roof Drip Side Finish Molding Clip if the current clips get damaged during the Repair Procedure.

Required Tools & Equipment

SPECIAL SERVICE TOOLS (SST)	PART NUMBER	QTY
Plastic Pry Tool Kit*	00002-06020-01	1

* Essential SST.

NOTE

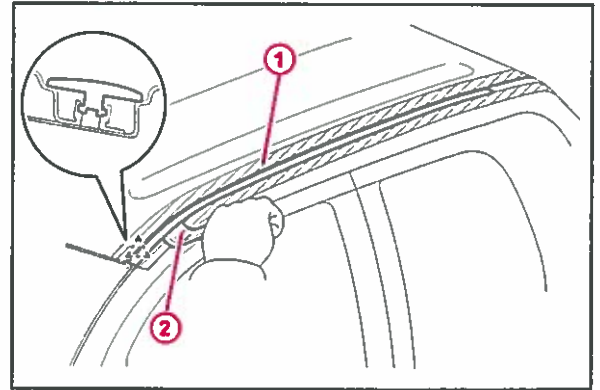
Additional SSTs may be ordered by calling 1-800-933-8335.

Tundra Roof Drip Molding Loose

Molding Removal Procedure

1. Apply protective tape around the Roof Drip Molding to protect the roof paint.

Figure 1.



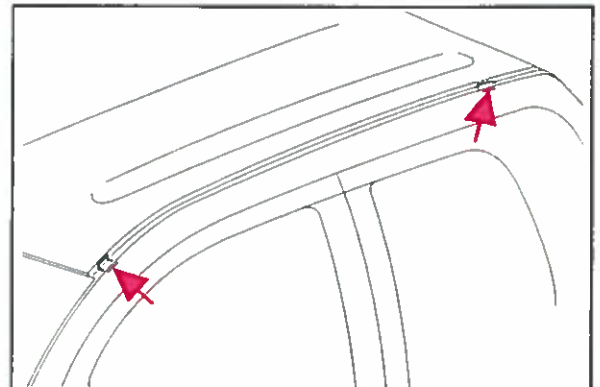
1	Protective Tape
2	Molding Remover

2. Using a molding remover, slowly and carefully unclip the molding from the clip at the locations shown in Figures 2 and 3. If a clip is damaged, the clip **MUST** be replaced.

Refer to the Technical Information System (TIS), applicable model and model year Repair Manual:

- [2013 / 2014 / 2015 Tundra](#):
Vehicle Exterior – Exterior Panels/Trim
– “Exterior: Roof Drip Side Finish Moulding: Installation”

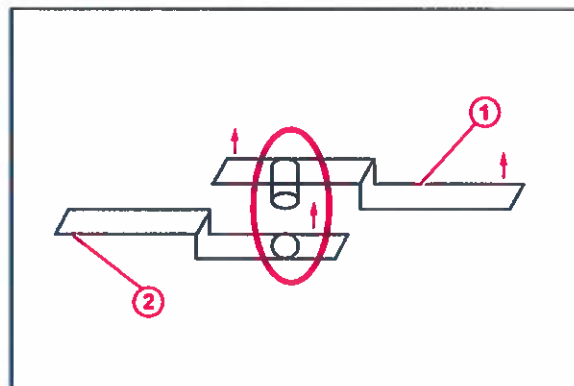
Figure 2. Clip Locations



Tundra Roof Drip Molding Loose

Molding Removal Procedure (Continued)

Figure 3. 2-Piece Molding Structure



1	Rear Molding
2	Front Molding

- Lift up the Rear Roof Molding slightly to unlock the Front Molding from the Roof Channel.

NOTICE

Be careful NOT to damage the clip when removing the Roof Molding from the vehicle.

If the Rear Roof Molding gets damaged, it MUST be replaced.

Refer to the Technical Information System (TIS), applicable model and model year Repair Manual:

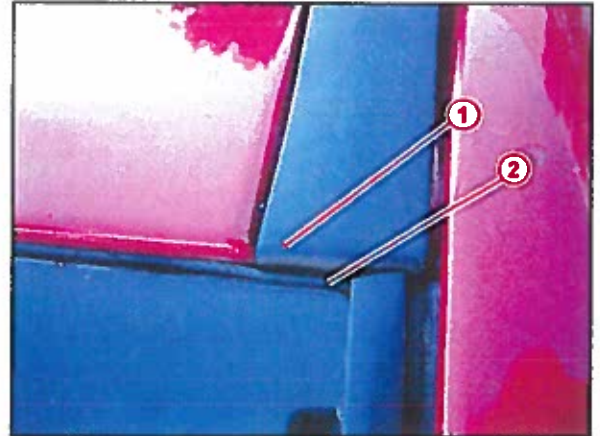
- [2013 / 2014 / 2015](#) Tundra:
Vehicle Exterior – Exterior Panels/Trim – “Exterior: Roof Drip Side Finish Moulding: Installation”

Tundra Roof Drip Molding Loose

Installation of the Roof Drip Molding into the Roof Channel

1. Place the front tab of the roof molding behind the windshield molding.

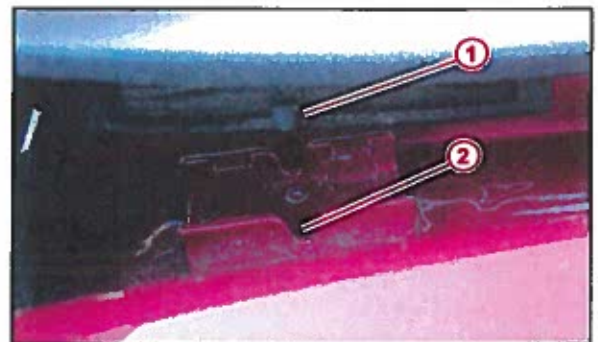
Figure 4.



1	Front Tab of the Roof Molding
2	Windshield Molding

2. Ensure good alignment of the roof molding tab to the tab slot on the retaining clip.

Figure 5.



1	Roof Molding Tab
2	Tab Slot on Retaining Clip

3. Press fit the Roof Molding into the Retaining Clip.

HINT

Wiggle the Roof Molding to confirm proper engagement of the molding into the tab slot on the clip.

Tundra Roof Drip Molding Loose

Installation of the Roof Drip Molding into the Roof Channel (Continued)

- Temporarily set the entire Roof Molding onto the roof channel.

Figure 6.



- Apply pressure on top of the molding (front to back) to secure the entire Roof Molding into the roof channel.

Figure 7.



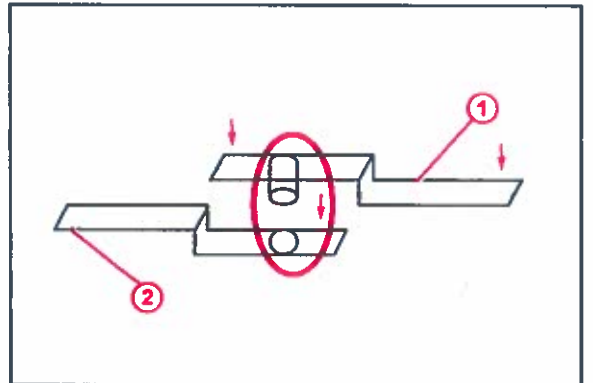
NOTE

Pushing location should start 4 – 6 inches behind the front edge of the Molding to prevent damaging the clip.

1	4 – 6 inches
----------	--------------

- Secure the Rear Roof Molding to the rear clip. Visually check to ensure the Rear Molding tab is properly aligned and locked onto the front Roof Drip Molding.

Figure 8. 2-Piece Molding Structure



1	Rear Molding
2	Front Molding

Tundra Roof Drip Molding Loose

Roof Molding Installation Verification Tip:

Consider the following installation technique when the Roof Molding is noticed to have poor retention to the Roof Channel after the normal installation technique has been implemented.

NOTE

There may be an excessive amount of sealer in the bottom of the roof channel, which may prevent the Roof Molding from properly fitting in the roof channel. Utilize this Roof Molding installation method if necessary.

1. The front tab of the Roof Molding must be placed behind the windshield Molding.
2. Make sure good alignment of the Roof Molding datum to the datum slot on the Retaining Clip.
3. Press fit the Roof Molding into the Retaining Clip. **Figure 9.**

NOTE

- Wiggle the Roof Molding to confirm proper engagement of the Molding into the datum slot on the clip.
- Allow 4 – 6 inches from the front edge of the molding to start the following steps.



1	4 – 6 inches
----------	--------------

4. Slightly tilt and insert a small section (15 – 20 inches) of the Roof Molding into the Roof Side Panel.

Figure 10.



Tundra Roof Drip Molding Loose

Roof Molding Installation Verification Tip: (Continued)

5. Push back on the Roof Molding to secure the opposite side.

NOTE

This method should apply to one small section (15 – 20 inches) of the Roof Molding at a time, until the entire Roof Molding is fully secured.

Figure 11.

