

REFERENCE:	Nova Bus Manuals
SECTION:	09 Air intake system
RS N°:	MQR 7621-797
EFFECTIVE IN PROD.:	–

APPLICATION DEADLINE: 2016MA24
CLAIM REFERENCE NUMBER: SR-3222

SUBJECT:	Engine air intake pipe
JUSTIFICATION:	The engine air intake hose could rub against the air conditioning compressor components

LEVEL	DESCRIPTION	DIRECT CHARGES		TIME
		LABOUR	MATERIAL	
1	Affix the engine air intake hose to the vehicle structure	Nova Bus	Nova Bus	15 min
2	–	–	–	–

MATERIAL

QTY	PART N°	REV.	DESCRIPTION	REPLACES PART N°
LEVEL 1				
1	N79453		Bracket	
1	N29781		Washer	
1	N79441-04		Cable	
3	N44890		Nut	
3	N44884-01		Bolt	
1	N78378		Bracket	
LEVEL 2				
–	–	–	–	–

Materials will be available within 28 days. To order, please contact Prevost Parts by phone at 1-800-771-6682, by fax at 1-888-668-2555 or by email at prevostparts.commandes@volvo.com. Specify document number, quantity of parts required and shipping address.

DISPOSAL OF PARTS

REMOVED PARTS ARE:	DISCARDED *	RETAINED	* Dispose of the unused parts and the defective parts in accordance with local environmental standards in effect.
	Yes	–	

REVISION HISTORY

REV.	DATE	CHANGE DESCRIPTION	WRITTEN BY
NR	2015JN24	Initial release	Wilder Galiano

CLIENT	ORDER	ROAD NUMBER		VIN (2NVY/4RKY...)		QTY
		FROM	TO	FROM	TO	
Austin - CMTA - Texas	L704	5051	5068	L82J7E4500471	L82J2E4500488	18
BC Transit - BCT - British Columbia	L858	9447	9481	L82JXE3001401	L82J5F3001436	35
Brampton - Ontario	L789	—	—	L82J4E3001216	L82J1E3001223	8
Brampton - Ontario	L816	—	—	L82J3E3001224	L82J9E3001230	7
Brantford - Ontario	L775	10131	10132	L82U1D3000999	L82U2D3001000	2
Clemson Area Transit - South Carolina	L769	—	—	S92U1D4500418	S92U1D4500418	1
CT Transit - Connecticut	L814	1462	1473	S92LXE4500717	S92L4E4500728	12
CT Transit - Connecticut	L815	1426	1426	S92L0E4500709	S92L0E4500712	4
Grande Prairie Alberta	L834	—	—	L82J7E3001386	L82J2E3001389	4
Guelph - Ontario	L835	240	243	L82J0E3001391	L82J0E3001391	4
Houston - Texas	L737	1510	1510	S92U4D4500297	S92U4D4500297	1
Houston - Texas	L755	1511	1579	S92U4D4500333	S92U8D4500402	69
LYNX - Florida	L785	—	—	S92L6E4500505	S92L8E4500506	2
MTD - Santa Barbara, California	L730	—	—	S92J8E4500567	S92J1E4500569	3
Red Deer - Alberta	L813	10008	10009	L82J2E3001361	L82J4E3001362	2
Saskatoon - Saskatchewan	L831	1401	1405	L82J7E3001307	L82J9E3001311	5
St. John's - Newfoundland	L808	1415	1419	L82J4E3001152	L82J1E3001156	5
Thunder Bay - Ontario	L806	—	—	L82J6E3001170	L82J8E3001171	2
Timmins - Ontario	L839	—	—	L82J8E3001395	L82J8E3001395	1
Toronto Transit Commission - TTC - Ontario	L859	8400	8400	L82J5F3001405	L82J5F3001405	1
University of Alabama - Alabama	L787	—	—	L82J2E4500507	L82J4E4500508	2
Woodstock - Ontario	L832	—	—	L82J9E3001342	L82J9E3001342	1
York Regional Transit - Ontario	L654	1370	1390	S92U1D3000946	S92U2D3000986	21
York Regional Transit - Ontario	L761	1391	1396	S92U6D3001008	S92UXD3001013	6

**WARNING**

Follow your internal safety procedures.

PROCEDURE

- 1.1. Open the engine access door.
- 1.2. Locate the engine air intake hose and the engine cooling air hose. See Figure 1.

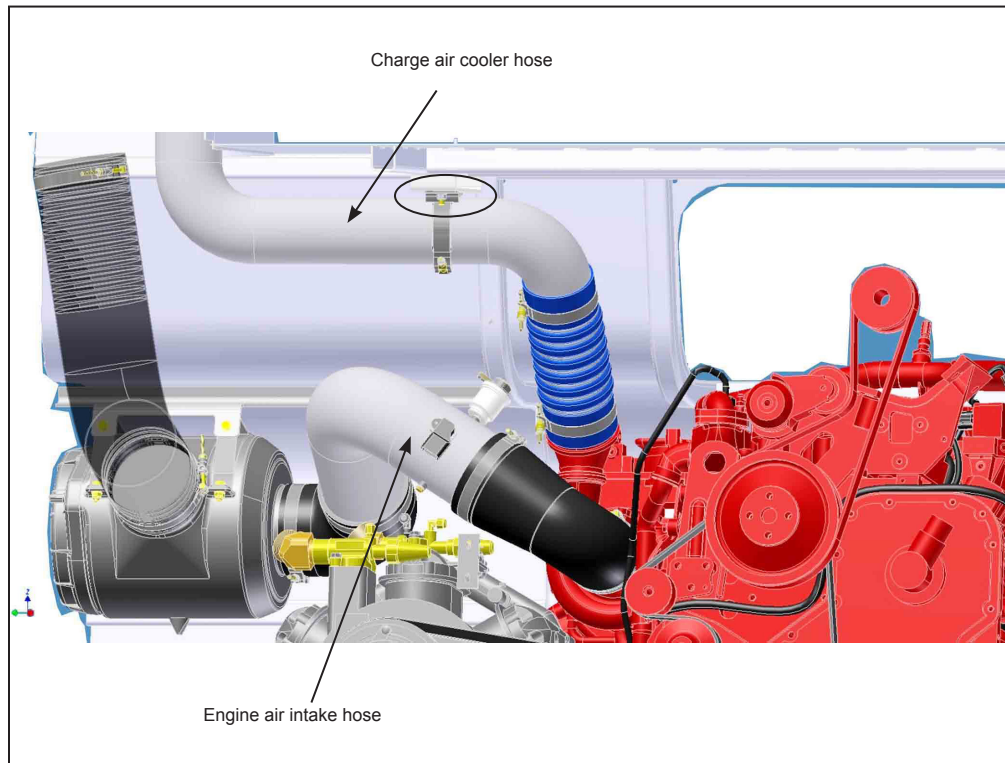


Figure 1 - Air Intake Hoses Location

- 1.3. If installed, remove the rod hanger.

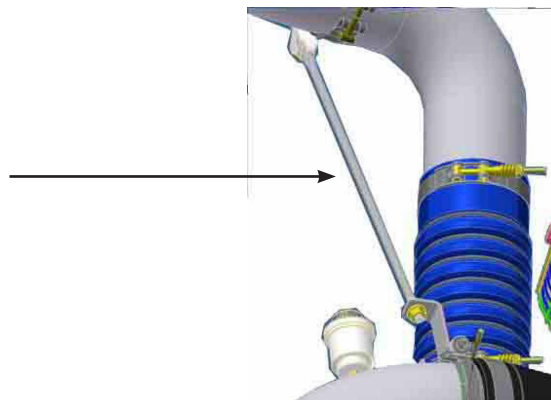


Figure 1A Rod Hanger

- 1.4. Install the N78378 support on the cooler air intake hose's front bolt support. See Figures 2 and 4.
- 1.5. Attach the N79441-04 cable to the N78378 support with the N44884 bolt and the N44890 nut.

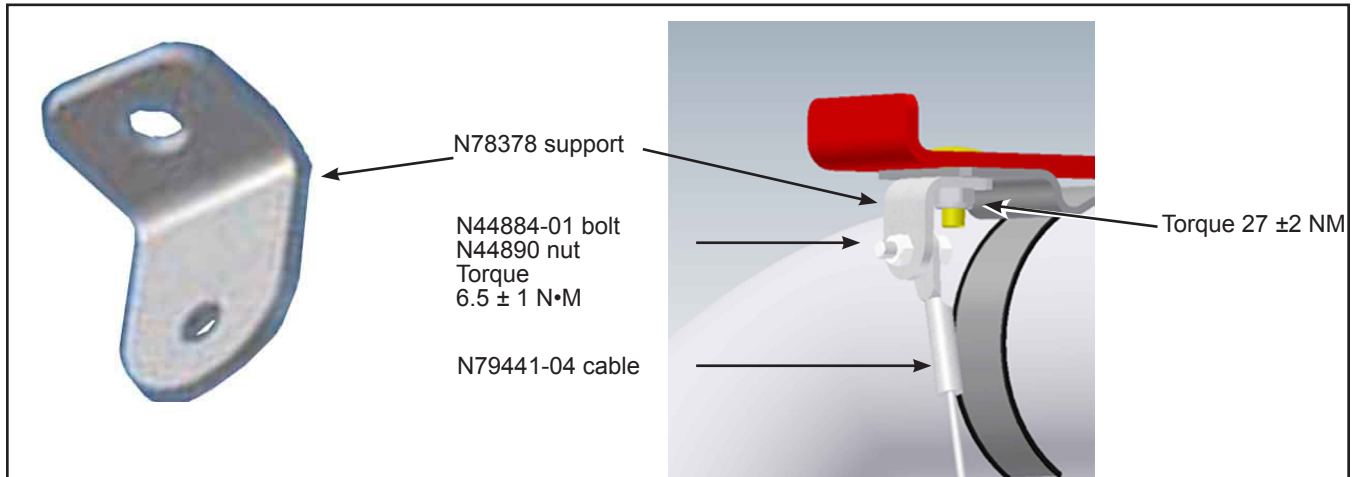


Figure 2 - Upper Support Installation

- 1.6. Attach the N79453 support to the existing bracket with the N44884-01, N44890 nut and N29781 washer.
- 1.7. If required, loose the two engine air intake hose clamps, it will ease installation.
- 1.8. Attach the N79441-04 cable to the N79453 support with the N44884 bolt and the N44890 nut.

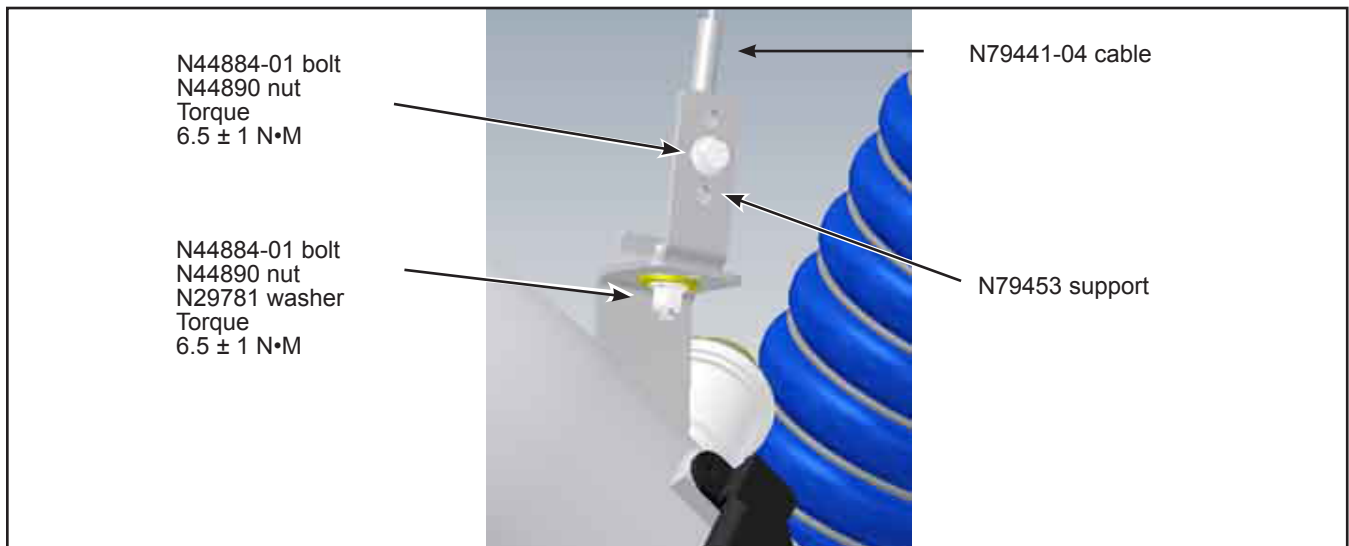


Figure 3 - Lower Support Installation

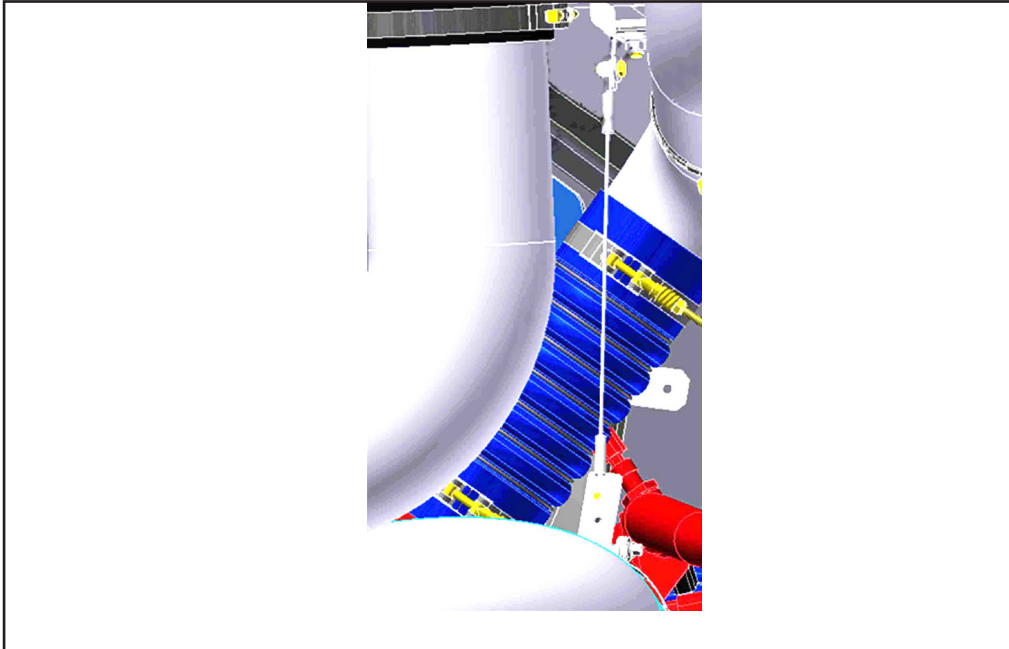


Figure 4 - Final Assembly

- 1.9. If required, tighten the two engine air intake hose clamps,
- 1.10. Close the engine access door.
- 1.11. The vehicle can be returned to service. ❖