

REFERENCE:	Nova Bus Manuals
SECTION:	09 Air intake system
RS N°:	MQR 7621-797
EFFECTIVE IN PROD.:	–

APPLICATION DEADLINE: 2016MA24
CLAIM REFERENCE NUMBER: SR-3219

SUBJECT:	Engine air intake pipe
JUSTIFICATION:	The engine air intake hose could rub against the air conditioning compressor components

LEVEL	DESCRIPTION	DIRECT CHARGES		TIME
		LABOUR	MATERIAL	
1	Affix the engine air intake hose to the vehicle structure	Nova Bus	Nova Bus	15 min
2	–	–	–	–

MATERIAL

QTY	PART N°	REV.	DESCRIPTION	REPLACES PART N°
LEVEL 1				
1	N29781		Washer	
1	N79453		Bracket	
1	N79441-02		Cable	
3	N44890		Nut	
3	N44884-01		Bolt	
1	N78378		Bracket	
LEVEL 2				
–	–	–	–	–

Materials will be available within 28 days. To order, please contact Prevost Parts by phone at 1-800-771-6682, by fax at 1-888-668-2555 or by email at prevostparts.commandes@volvo.com. Specify document number, quantity of parts required and shipping address.

DISPOSAL OF PARTS

REMOVED PARTS ARE:	DISCARDED *	RETAINED	* Dispose of the unused parts and the defective parts in accordance with local environmental standards in effect.
	Yes	–	

REVISION HISTORY

REV.	DATE	CHANGE DESCRIPTION	WRITTEN BY
NR	2015AL24	Initial release	Wilder Galiano

CLIENT	ORDER	ROAD NUMBER		VIN (2NVY/4RKY...)		QTY
		FROM	TO	FROM	TO	
Chicago Transit Authority - CTA - Illinois	L773	—	—	L82JXD4500429	L82J6D4500430	2
Chicago Transit Authority - CTA - Illinois	L811	7902	7949	L82J6E4500509	L82J6E4500526	48
Chicago Transit Authority - CTA - Illinois	L837	7950	7999	L82J6E4500655	L82J1E4500708	50
Chicago Transit Authority - CTA - Illinois	L847	8000	8049	L82J1E4500773	L82JXE4500822	50
Chicago Transit Authority - CTA - Illinois	L848	8050	8099	L82JXF4500823	L82J1F4500872	50
Chicago Transit Authority - CTA - Illinois	L849	8100	8149	L82J5F4500874	L82J3F4500923	50
LYNX - Florida	L725	—	—	S92Y9D4500329	S92Y5D4500330	2
LYNX - Florida	L764	—	—	S92Y7D4500331	S92Y9D4500332	2
Peterborough - Ontario	L770	55	60	L82U0D3000993	L82UXD3000998	6
Regina - Saskatchewan	L807	671	685	L82J8E3001137	L82J2E3001151	15
San Joaquin County - California	L768	—	—	S92L4D4500422	S92L3D4500427	6
SEPTA - Pennsylvania	L724	7300	7301	S92Y1D4500275	S92Y3D4500276	2
SEPTA - Pennsylvania	L728			L82W7D4500335	L82W7D4500335	1
SEPTA - Pennsylvania	L741	—	—	S92L4E4500504	S92L4E4500504	1
SEPTA - Pennsylvania	L742	7371	7414	S92L6E4500729	S92L7E4500772	44
SEPTA - Pennsylvania	L743	—	—	S92L1E4500489	S92L2E4500503	15
SEPTA - Pennsylvania	L744	—	—	L82L7E4500570	L82LXE4500661	89
SEPTA - Pennsylvania	L749	7302	7354	S92Y7D4500409	S92L2E4500470	53
Toronto Transit Commission - TTC - Ontario	L777	9027	9152	S92J7E3001123	S92J6E3001372	126

**WARNING**

Follow your internal safety procedures.

PROCEDURE

- 1.1. Open the engine access door.
- 1.2. Locate the engine air intake hose and the engine cooling air hose. See Figure 1.

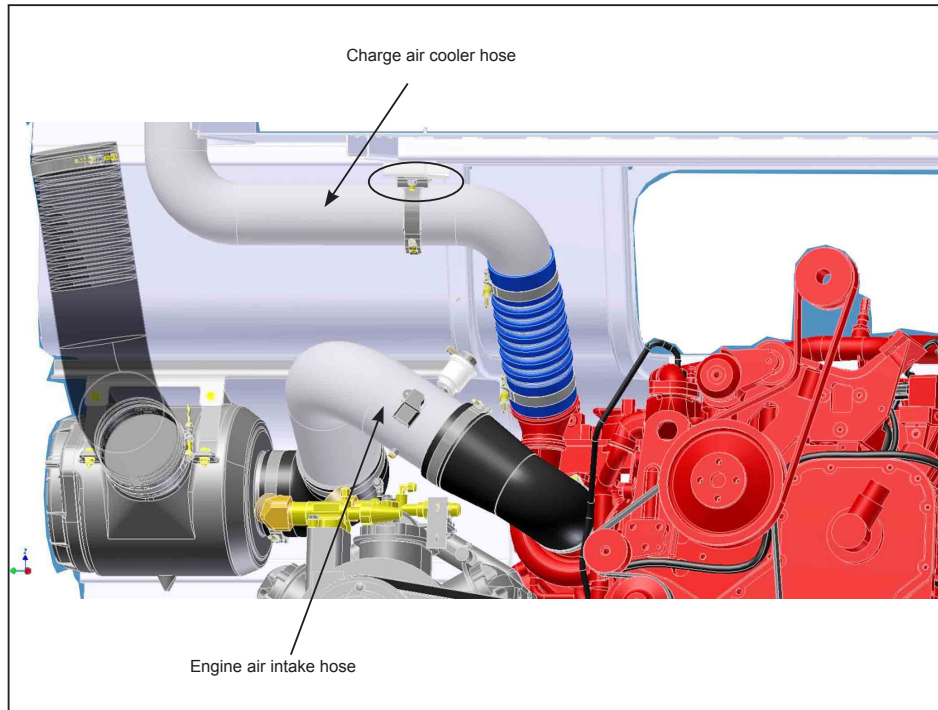


Figure 1 - Air Intake Hoses Location

- 1.3. If installed, remove the rod hanger.

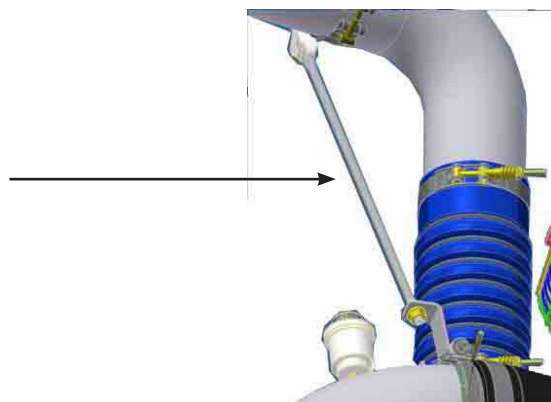


Figure 1A Rod Hanger

- 1.4. Install the N78378 support on the cooler air intake hose's front bolt support. See Figures 2 and 4.
- 1.5. Attach the N79441-02 cable to the N78378 support with the N44884 bolt and the N44890 nut.

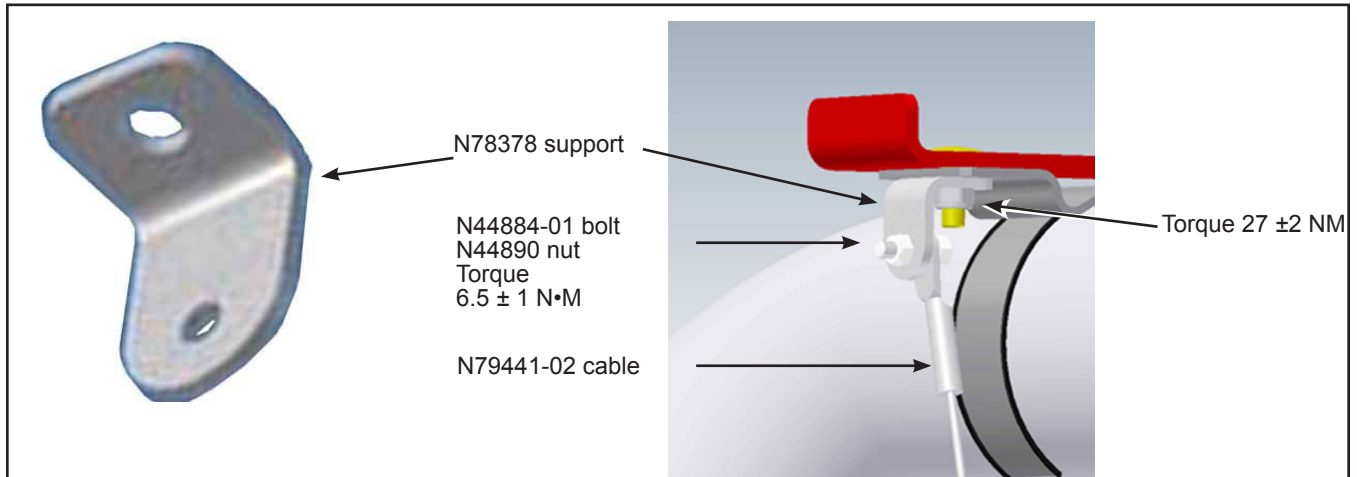


Figure 2 - Upper Support Installation

- 1.6. Install plumbing type Teflon tape onto the engine air intake hose beside the turbo compressor flexible pipe. See Figure 3.
- 1.7. Attach the N79453 support to the tube with the N44884 bolt, N44890 nut and N29781 washer.
- 1.8. If required, loose the two engine air intake hose clamps, it will ease installation.
- 1.9. Attach the N79441-02 cable to the N79453 support with the N44884 bolt and the N44890 nut.

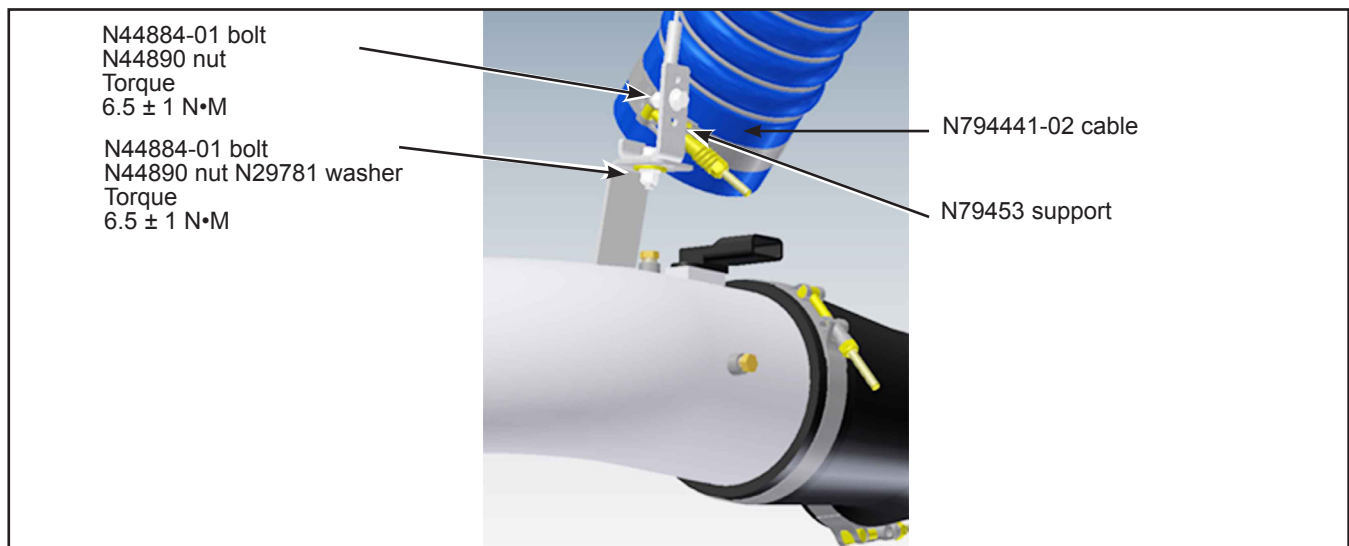


Figure 3 - Lower Support Installation

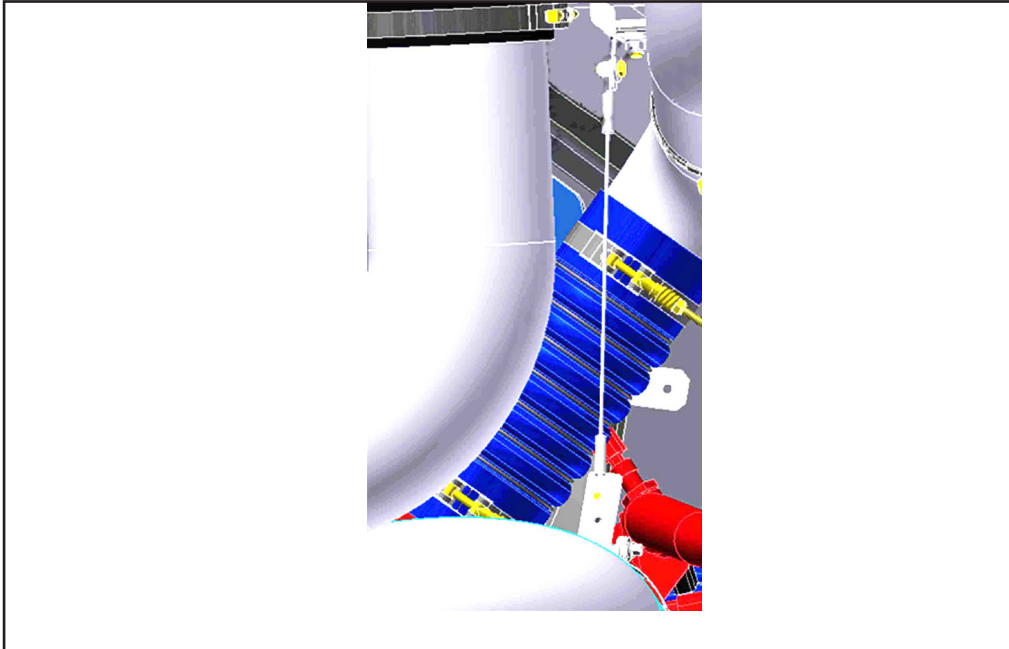


Figure 4 - Final Assembly

- 1.10. If required, tighten the two engine air intake hose clamps.
- 1.11. Close the engine access door.
- 1.12. The vehicle can be returned to service. ❖